

1 2 3 4 5 6

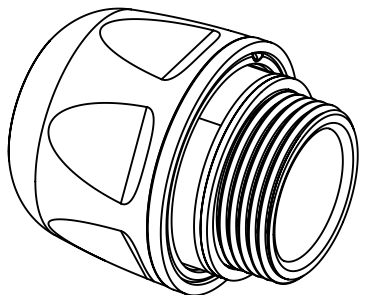
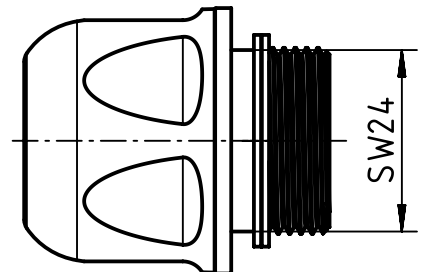
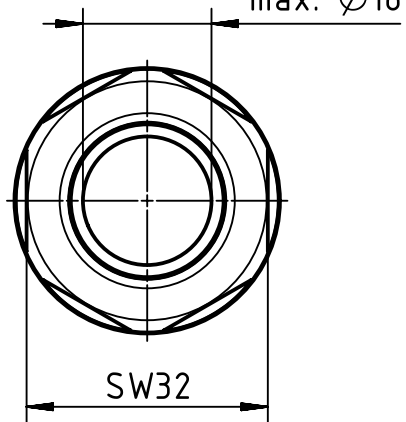
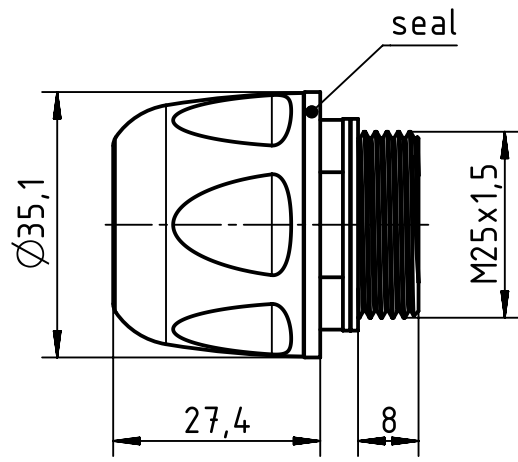
A

B

C

D

cable  
min.  $\varnothing 16$   
max.  $\varnothing 18$



	All Dimensions in mm Original Size DIN A4	Scale 1:1		Free size tol.		Ref.	
						Sub.	
	All rights reserved Department EL PD	Created by HELLMANN	Inspected by RIEPE	Standardisation GARSKE	Date 2020-01-17	State Final Release	
		Title HAN CGM-P F+B M25X1,5 D. 16-18 nature					Doc-Key / ECM-Nr. 100791424/UGD/001/B 500000164789
HARTING Electric GmbH & Co. KG D-32339 Espelkamp		Type TB	Number 19 15 523 5199			Rev. B	Page 1/1