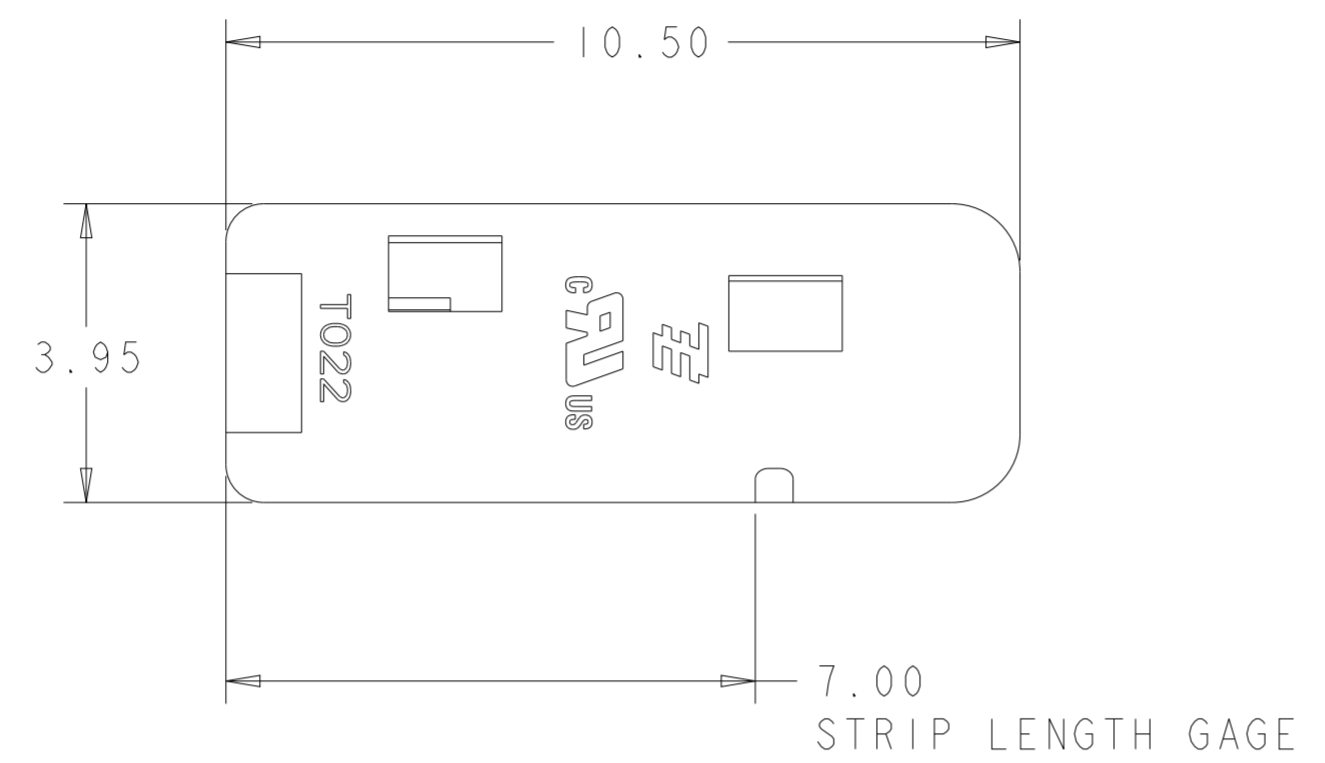


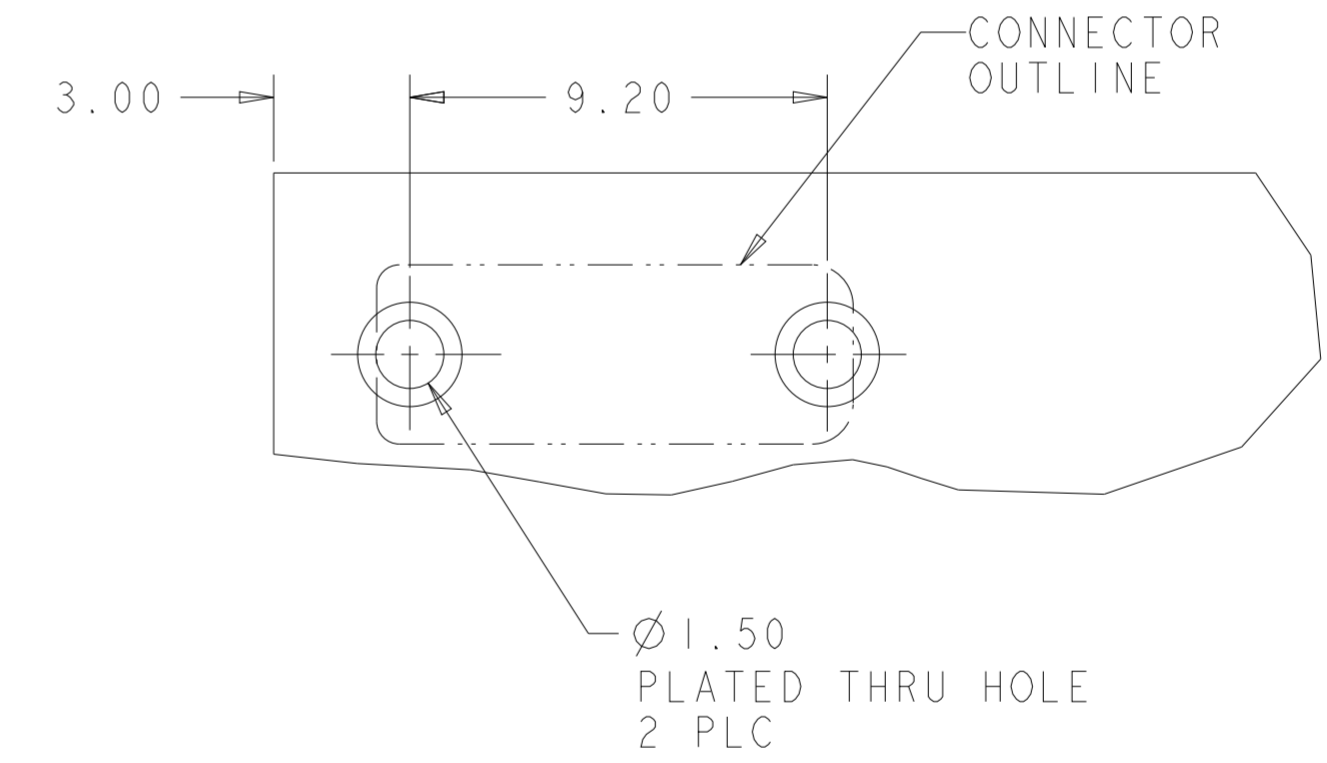
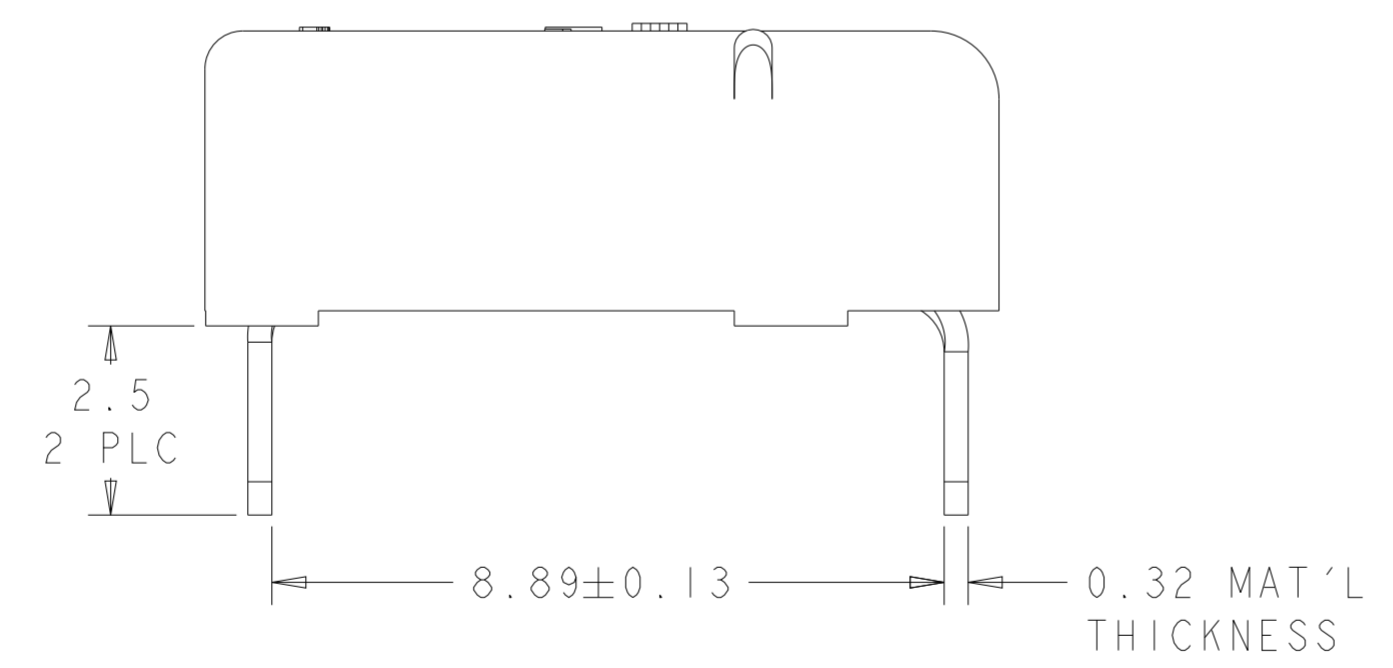
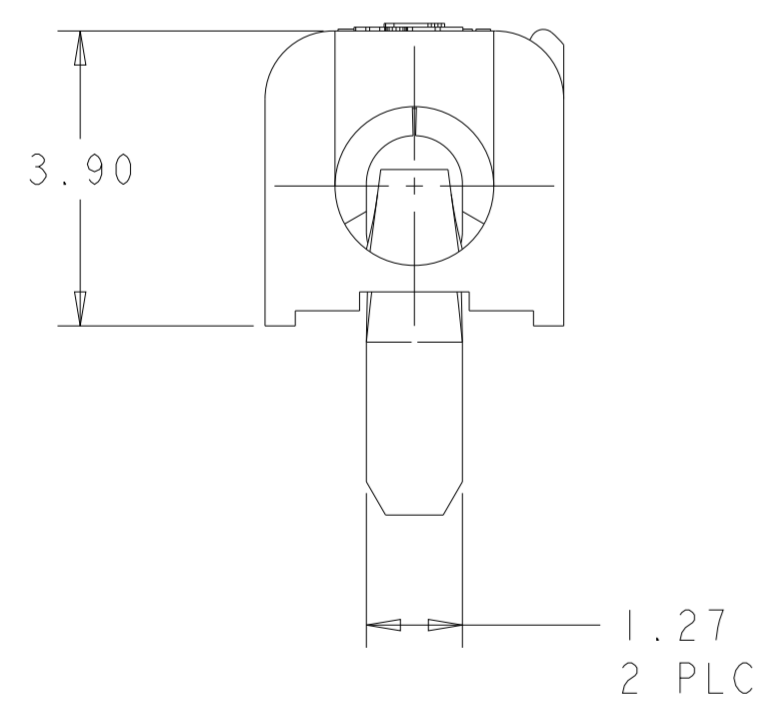
REVISIONS					
P	LTR	DESCRIPTION	DATE	DWN	APVD
A		REVISED PER ECR-09-006557	25MAR2009	HMR	DD
AI		REVISED PER ECR-21-003871	15APR2021	SR	JL

- ⚠ MATERIALS AND FINISH:
 - HOUSING: LCP, COLOR: WHITE
 - CONTACTS: COPPER ALLOY, FINISH: TIN
- 2. MUST COMPLY WITH DIRECTIVE 2002/95/EC (ROHS)



- 4. WIRE TYPES AND SIZES ACCEPTED
 - 18, 20 AND 22 AWG SOLID WIRE
 - 18 AND 20 AWG PREBOND STRANDED WIRE
 - 18 AWG STRANDED WIRE (16 STRAND COUNT)
 - MAX INSULATION OD: 2.10 MM (.083")
 - STRIP LENGTH: 7.0±1.0 (.276")

- 5. PACKAGED IN TAPE AND REEL
- ⚠ MATERIALS AND FINISH:
 - HOUSING: LCP, COLOR: BLACK
 - CONTACTS: COPPER ALLOY, FINISH: TIN

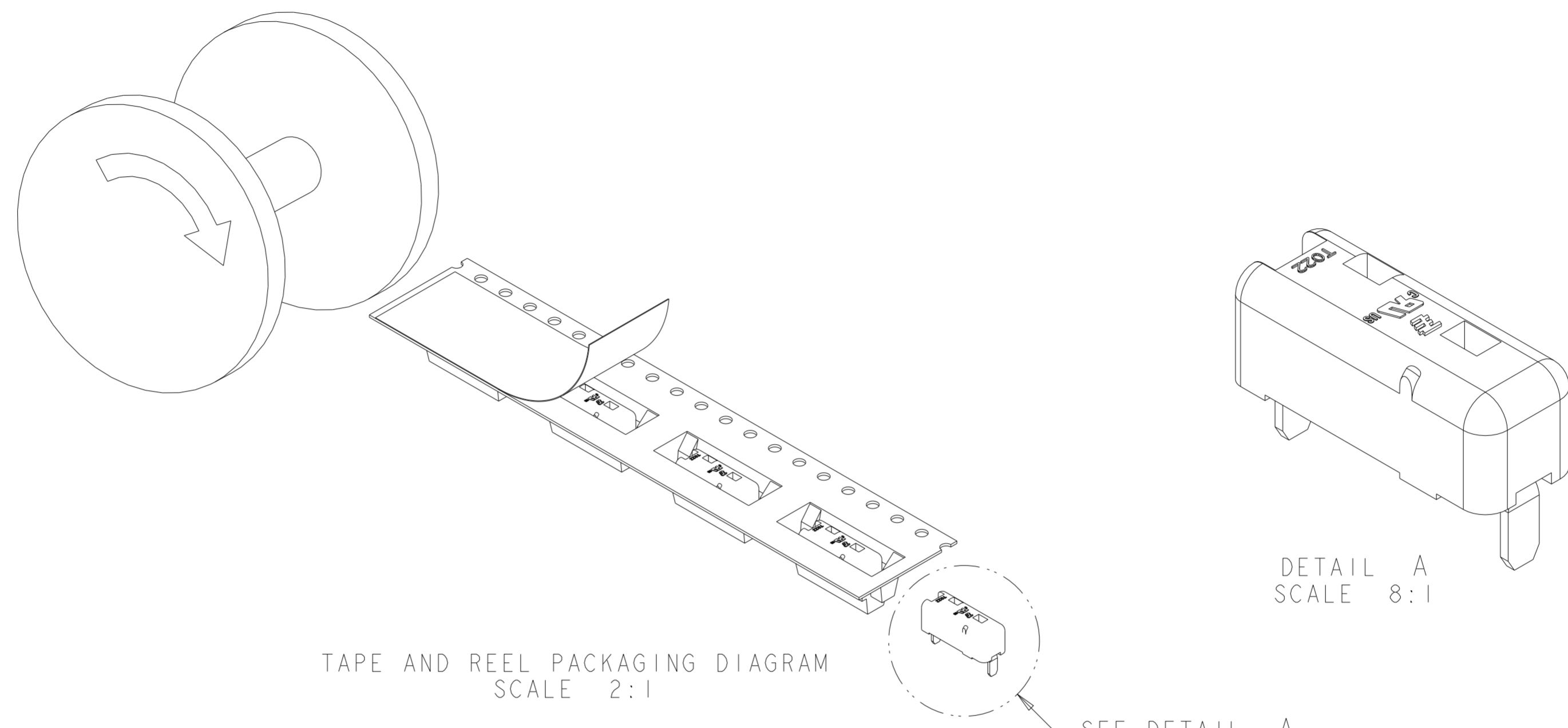


RECOMMENDED PCB LAYOUT
SCALE 6:1

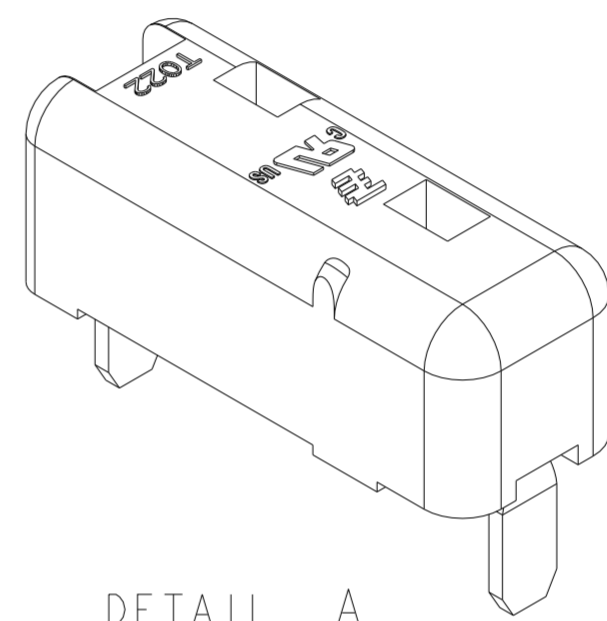
OBSOLETE	⚠	BLACK	2008839-2
	⚠	WHITE	2008839-1
	MATERIAL	COLOR	PART NUMBER

THIS DRAWING IS A CONTROLLED DOCUMENT.		DWN GURURAJ S	17OCT2007	TE Connectivity	
DIMENSIONS: mm		CHK -	APVD -		
DIMENSIONS: mm 		TOLERANCES UNLESS OTHERWISE SPECIFIED: 0 PLC ± 1 PLC ±0.2 2 PLC ±0.13 3 PLC ± 4 PLC ± ANGLES ±3 FINISH SEE TABLE		NAME POKE-IN LED CONNECTOR ASSEMBLY, 1 POSITION, THRU HOLE	
MATERIAL SEE TABLE		APVD -		SIZE A2	CAGE CODE 00779
		PRODUCT SPEC -		DRAWING NO C-2008839	RESTRICTED TO
		APPLICATION SPEC -		SCALE 10:1 SHEET 1 OF 2 REV AI	
		WEIGHT -		CUSTOMER DRAWING	

REVISIONS					
P	LTR	DESCRIPTION	DATE	DWN	APVD
-	-	SEE SHEET 1	-	-	-

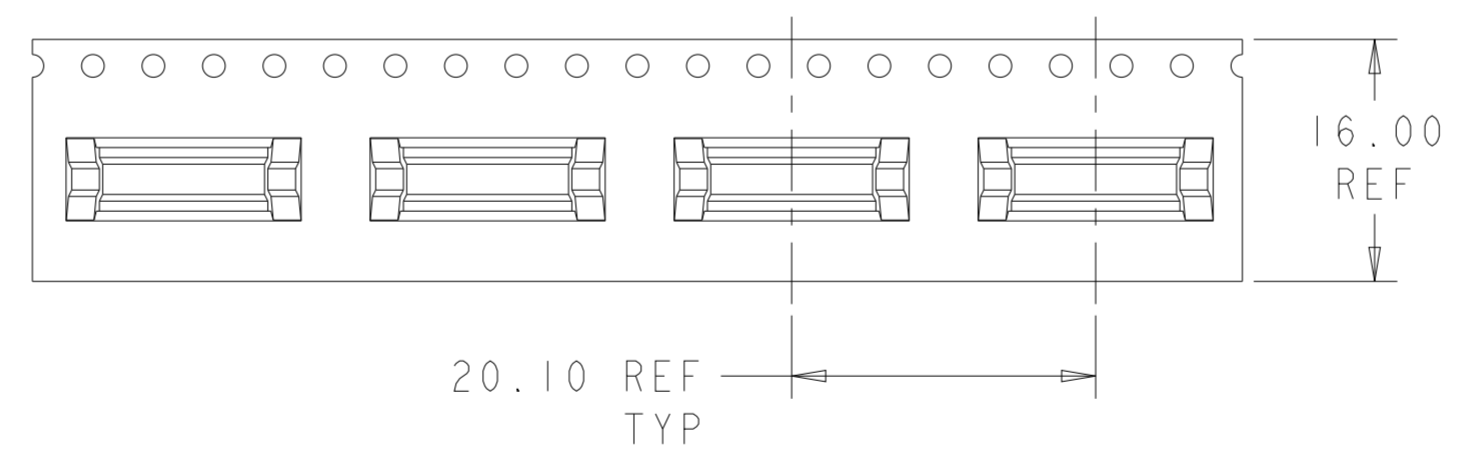


TAPE AND REEL PACKAGING DIAGRAM
SCALE 2:1



DETAIL A
SCALE 8:1

SEE DETAIL A



THIS DRAWING IS A CONTROLLED DOCUMENT.		DWN GURURAJ S	17OCT2007	TE Connectivity	
DIMENSIONS: mm		CHK -	APVD -		
TOLERANCES UNLESS OTHERWISE SPECIFIED:		PRODUCT SPEC -		APPLICATION SPEC -	
0 PLC ± 1 PLC ±0.2 2 PLC ±0.13 3 PLC ± 4 PLC ± ANGLES ±3 FINISH SEE TABLE		WEIGHT -		SIZE A2	CAGE CODE 00779
MATERIAL SEE TABLE		CUSTOMER DRAWING		DRAWING NO C-2008839	RESTRICTED TO
				SCALE 10:1	SHEET 2 OF 2
				REV A1	