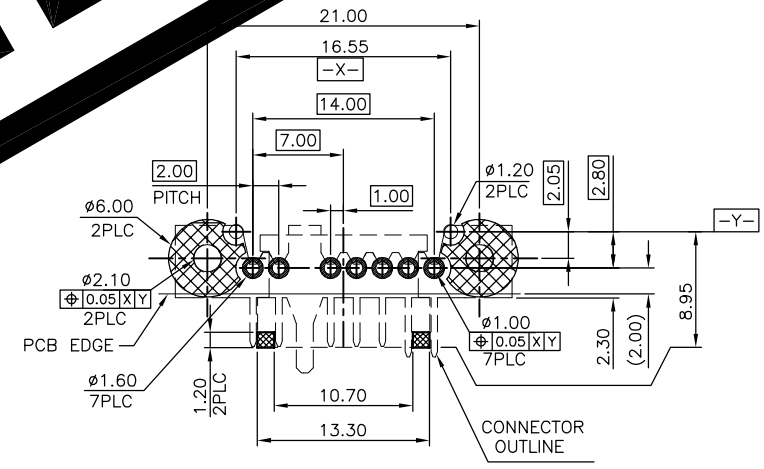
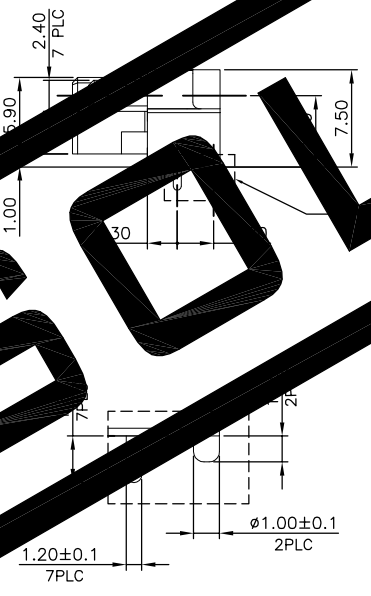
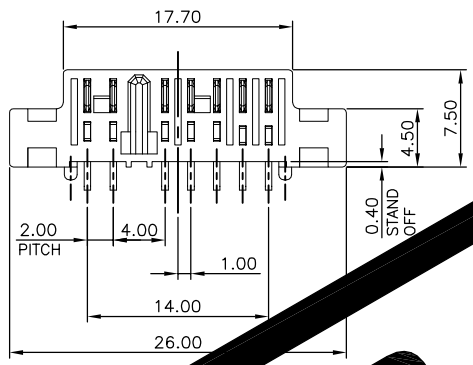
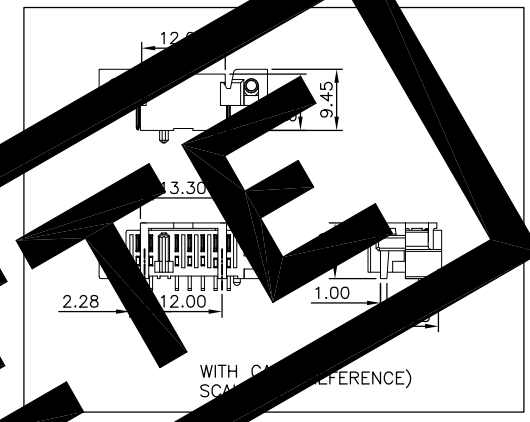
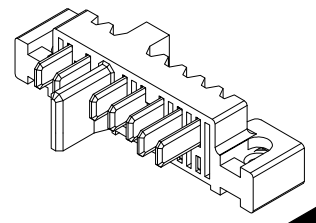
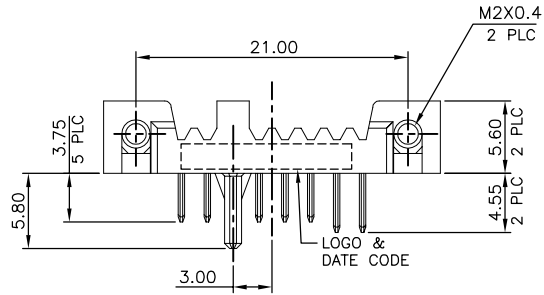


THIS DRAWING IS UNPUBLISHED. RELEASED FOR PUBLICATION
 © COPYRIGHT - TE Connectivity ALL RIGHTS RESERVED.

| REVISIONS | | | | |
|-----------|-----|-------------|-----------|----------|
| P | LTR | DESCRIPTION | DATE | DWN APVD |
| B | | OBSOLETE | 24NOV2017 | A.L W.H |



NOTE:
 1.MATERIAL:
 1.1.HOUSING: LCP WITH 50% 94V-0, COLOR: BLACK
 1.2.CONTACT: 254µm [100u"] MIN. MATTE-TIN ON SOLDER TAIL
 1.3.NUTS: STEEL
 2.FINISH:
 CONTACT: GOLD PLATED ON CONTACT AREA
 2.54µm [100u"] MIN. MATTE-TIN ON SOLDER TAIL
 1.27µm [50u"] MIN. NICKEL UNDERPLATE OVERALL
 3.REFLOW SOLDER CAPABLE TO 260°C PER TEST SPEC TEC-109-201
 4. LOW HALOGEN SPECIFICATION
 CHLORINE(CL): 900 ppm MAX.
 BROMINE(BR): 900 ppm MAX.
 CL + BR : 1500 ppm MAX.

DETAIL A
SCALE 2:1

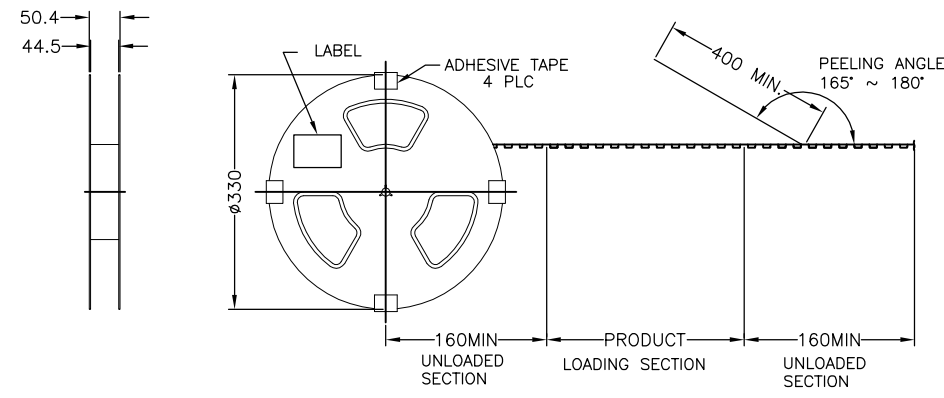
☒ CAP STAND AREA & KEEP OUT AREA
 RECOMMENDED P.C.B LAYOUT <TOP VIEW>
 THICKNESS: 1.20mm, TOLERANCE: ±0.05mm

2041432-1
 PART NUMBER

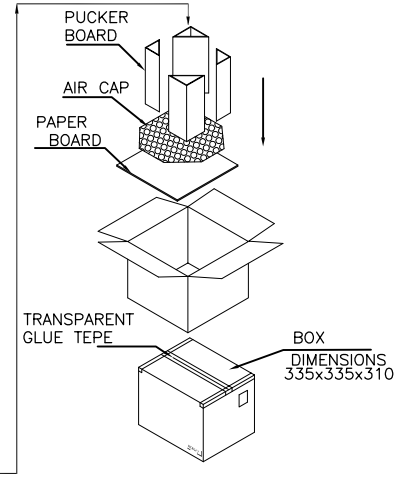
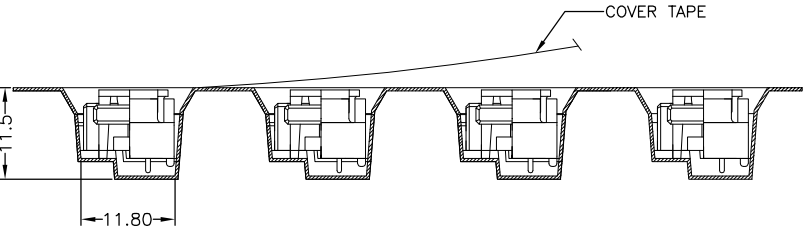
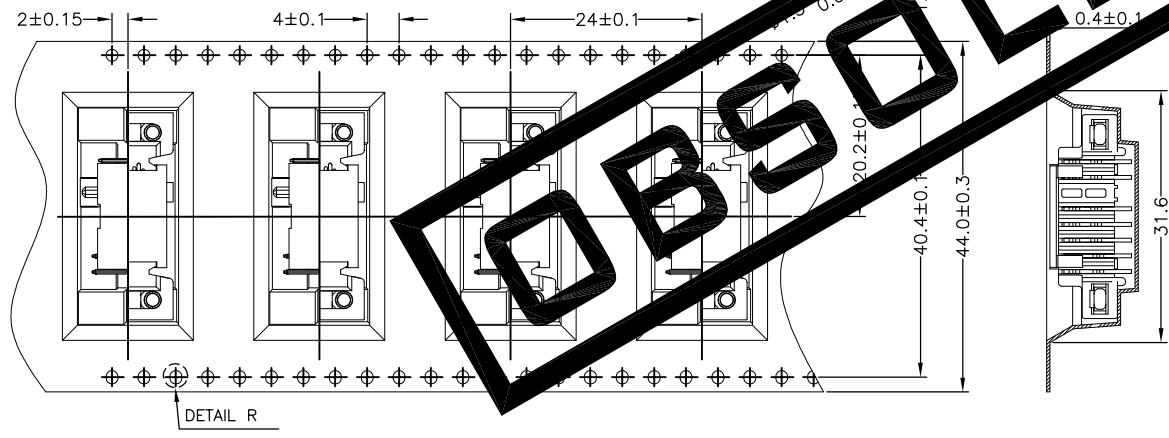
| | | | | | | |
|--|--|-------------------------------|---|----------------------|-------------------------|--------------|
| THIS DRAWING IS A CONTROLLED DOCUMENT. | | DWN ART.LIN 24NOV2017 | | | 2041432-1 | |
| | | CHK WENKE,HE 24NOV2017 | | | PART NUMBER | |
| DIMENSIONS: mm | | APVD WENKE,HE 24NOV2017 | NAME BATTERY CONNECTOR 2.0MM PITCH, PLUG, 7.5H, 5.5CH, R/A TYPE | | RESTRICTED TO | |
| TOLERANCES UNLESS OTHERWISE SPECIFIED: 0 PLC ± - 1 PLC ± 0.3 2 PLC ± 0.20 3 PLC ± 0.150 4 PLC ± - ANGLES ± 3 | | PRODUCT SPEC 108-57891 | APPLICATION SPEC | | SIZE A3 | |
| MATERIAL SEE NOTE | | FINISH SEE NOTE | WEIGHT 1.91 GRAMS | CAGE CODE A300779 | DRAWING NO C=2041432 | SCALE 1:1 |
| | | | CUSTOMER DRAWING | | SHEET 1 OF 2 | |
| | | | | | REV B | |

THIS DRAWING IS UNPUBLISHED. RELEASED FOR PUBLICATION
 © COPYRIGHT - TE Connectivity ALL RIGHTS RESERVED.

| REVISIONS | | | | | |
|-----------|-----|-------------|------|-----|------|
| P | LTR | DESCRIPTION | DATE | DWN | APVD |
| - | - | SEE SHEET 1 | - | - | - |



PULL OUT DIRECTION



- MATERIAL :
 - CARRIER TAPE: PS
 - COVER TAPE: PET
 - REEL: PS
 - BOX: CORRUGATED FIBER
- PEELING STRENGTH: 0.1~0.7N.
- PEELING SPEED: 300mm/min.

OBSOLETE

| 5.63KG | 2.29KG | 200 | 6 | 1200 | 2041432-1 |
|--------------|------------|-----------|-----------|----------|-------------|
| GROSS WEIGHT | NET WEIGHT | PCS/ REEL | REEL/ BOX | PCS/ BOX | PART NUMBER |

| | | | | | |
|--|--|------------------|-----------|--|---------------|
| THIS DRAWING IS A CONTROLLED DOCUMENT. | | DWN | 24NOV2017 | | |
| | | ART.LIN | 24NOV2017 | | |
| | | CHK | WENKE,HE | | |
| | | APVD | WENKE,HE | | |
| DIMENSIONS: mm | | PRODUCT SPEC | | NAME | |
| TOLERANCES UNLESS OTHERWISE SPECIFIED: 0 PLC ± - 1 PLC ± 0.3 2 PLC ± 0.20 3 PLC ± 0.150 4 PLC ± - ANGLES ± - | | APPLICATION SPEC | | BATTERY CONNECTOR | |
| MATERIAL | | WEIGHT | | 2.0MM PITCH, PLUG, 7.5H, 5.5CH, R/A TYPE | |
| FINISH | | | | SIZE | RESTRICTED TO |
| | | CUSTOMER DRAWING | | A3 | |
| | | | | CAGE CODE | |
| | | | | DRAWING NO | |
| | | | | C=2041432 | |
| | | | | SCALE | |
| | | | | 1:1 | |
| | | | | SHEET | |
| | | | | 2 OF 2 | |
| | | | | REV | |
| | | | | B | |