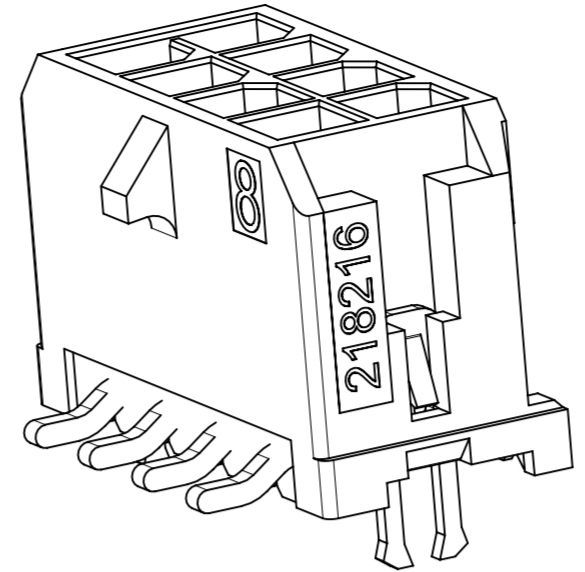


| FINISH TYPE | "0" TIN | "1" 15MICROINCH GOLD | "2" 30MICROINCH GOLD | A | B | C | D |
|-------------|------------|----------------------|----------------------|-------|------|------|-------|
| 2 | 2182160230 | 2182160231 | 2182160232 | 7.16 | NA | 2.95 | 4.30 |
| 4 | 2182160430 | 2182160431 | 2182160432 | 10.16 | 3.00 | 2.95 | 7.30 |
| 6 | 2182160630 | 2182160631 | 2182160632 | 13.16 | 6.00 | 2.95 | 10.30 |
| 8 | 2182160830 | 2182160831 | 2182160832 | 16.16 | 9.00 | 7.70 | 13.30 |



LEGEND

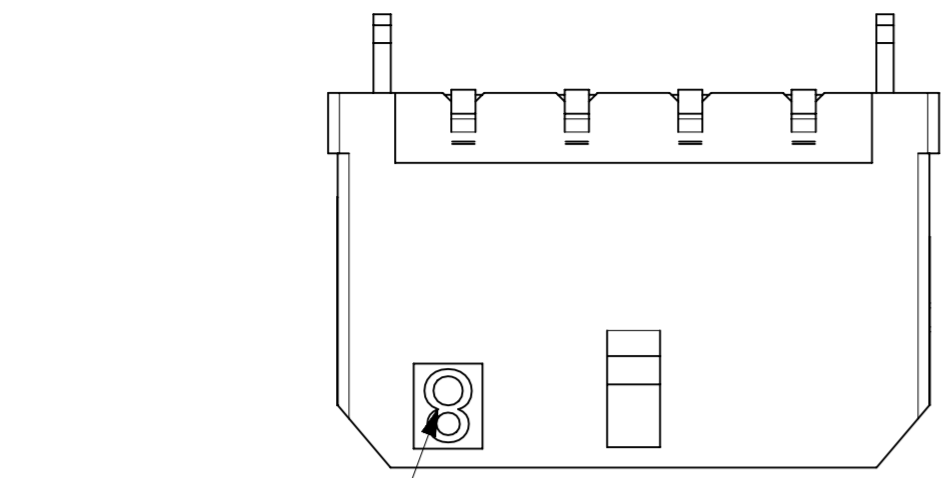
218216 - * * * *

SERIES NO. _____

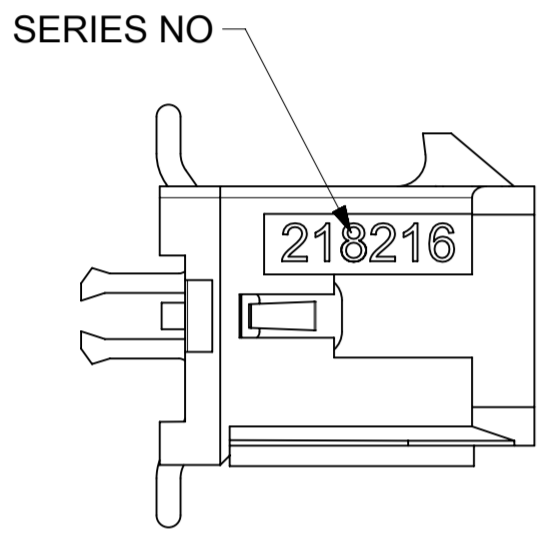
CKT NO. _____

OPTION
 0: RIGHT ANGLE WITH NAIL
 1: RIGHT ANGLE WITH CLIP
 2: VERTICAL WITH NAIL
 3: VERTICAL WITH CLIP

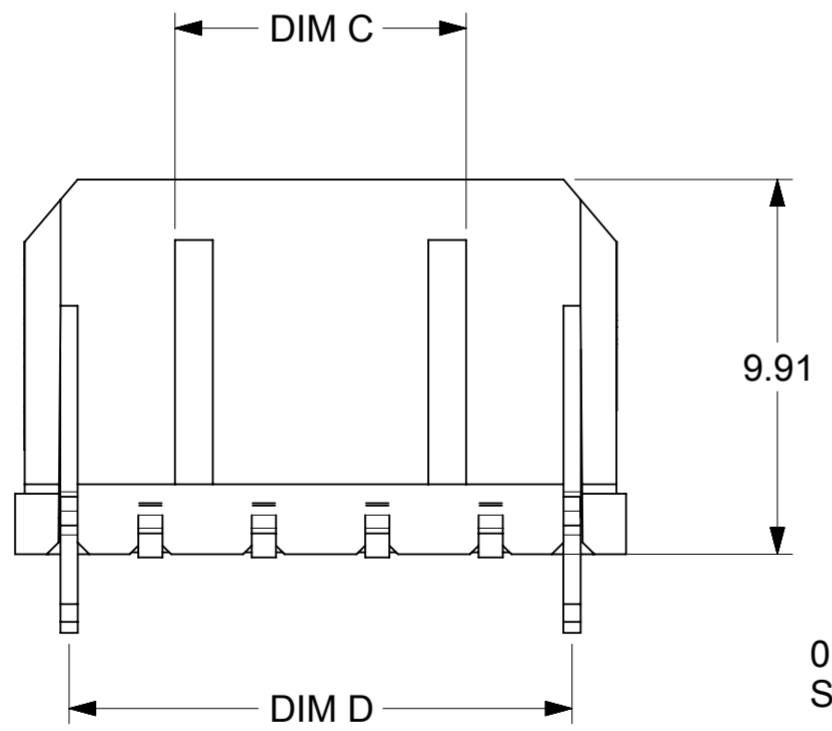
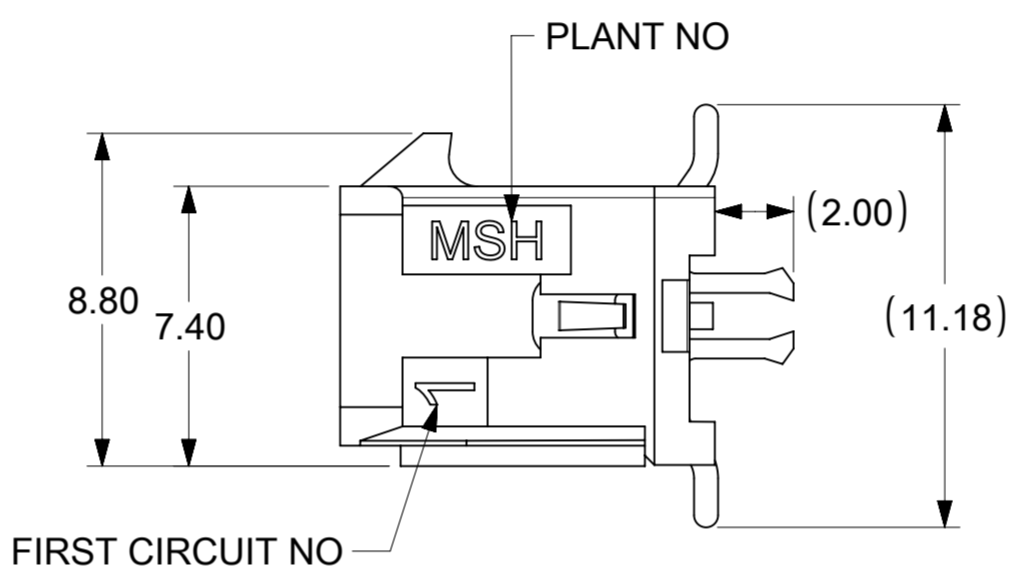
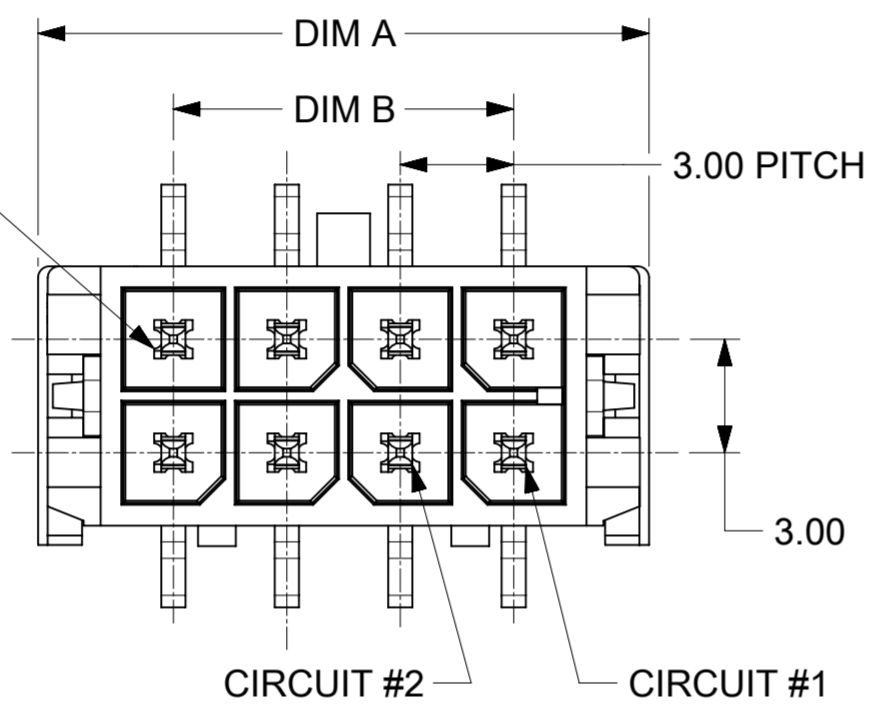
PLATING OPTION
 0: TIN
 1: 15MICROINCH AU
 2: 30MICROINCH AU



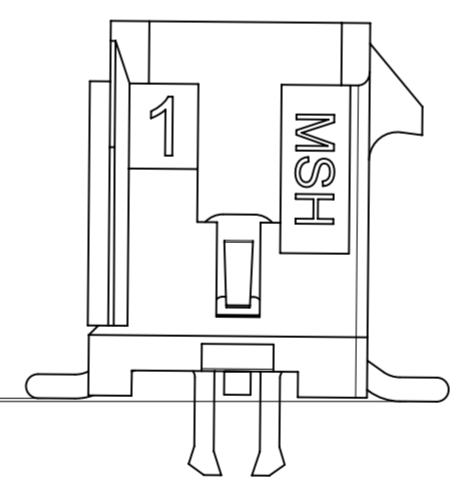
LAST CIRCUIT NO



SERIES NO

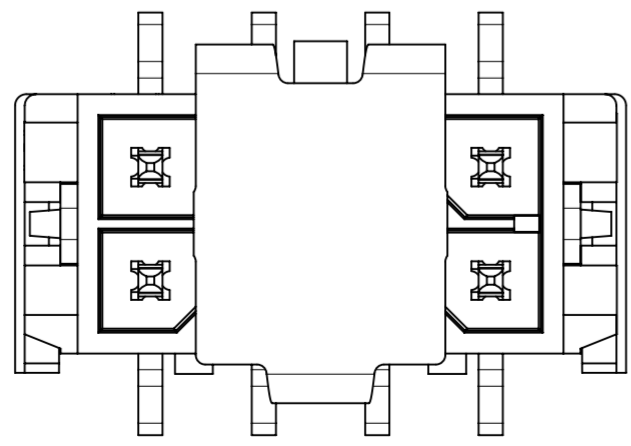


0.15 MAX
SEE NOTE 7



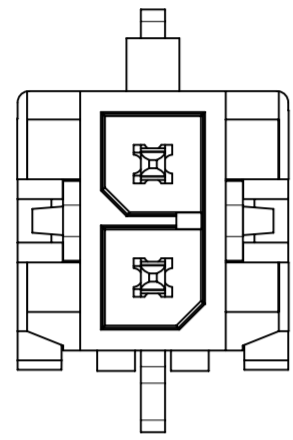
NOTES:

- HOSING MATERIAL: GLASS FILLED LIQUID CRYSTAL POLYMER, UL 94V-0, COLOR: BLACK
 TERMINAL MATERIAL: HIGH COPPER ALLOY
- FINISH:
 OPTION "0": REFLOW MATTE TIN OVER NICKEL
 OPTION "1": SELECT 15MICROINCH GOLD AND SELECT MATTE TIN OVER NICKEL.
 OPTION "2": SELECT 30MICROINCH GOLD AND SELECT MATTE TIN OVER NICKEL.
- PRODUCT SPECIFICATION : 2064600000-PS
- PRODUCT TEST SUMMARY: 2064600000-TS
- T&R PACK : 2182160001-PK
- MATE WITH RECEPTACLE 206461
- THE COPLANARITY DIMENSION IS ESTABLISHED BY PLACING THE ASSEMBLY ON A FLAT SURFACE. THE DISTANCE FROM THAT SURFACE TO THE BOTTOM OF ANY TERMINAL OR NAIL MUST NOT EXCEED 0.15
- THIS PART CONFORMS TO CLASS 'B' REQUIREMENTS OF COSMETIC SPECIFICATION PS-45499-002.

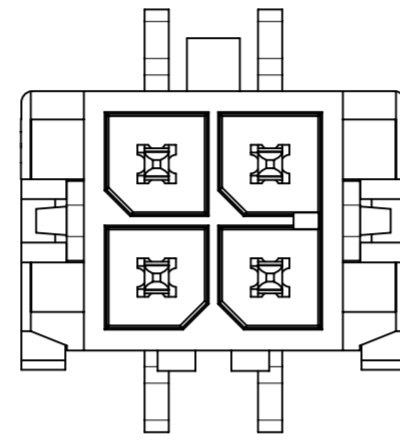


SHOWN WITH DISPOSABLE CAP (43555-000*)
SEE NOTE 5

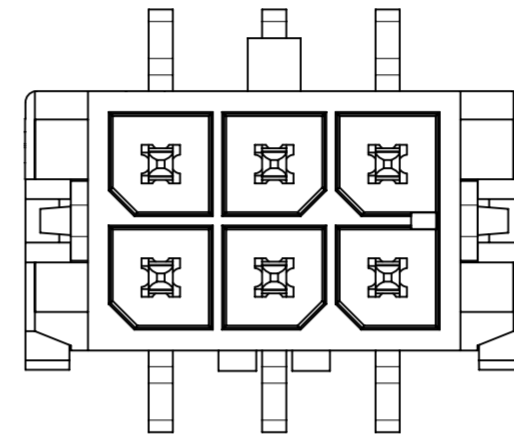
| | | | | | | | | | | | | | |
|---|--|------------------------|--|---------------------------|--|----------------|--|--|--|---|--|--|--|
| THIS DRAWING CONTAINS INFORMATION THAT IS PROPRIETARY TO MOLEX ELECTRONIC TECHNOLOGIES, LLC AND SHOULD NOT BE USED WITHOUT WRITTEN PERMISSION | | | | | | | | | | | | | |
| DIMENSION UNITS | | SCALE | | CURRENT REV DESC: | | | | | | | | | |
| mm | | NTS | | | | | | | | | | | |
| GENERAL TOLERANCES (UNLESS SPECIFIED) | | | | EC NO: 724761 | | | | | | MICRO-FIT PLUS DUAL ROW VERTICAL SMT HEADER WITH PRESS CLIP | | | |
| ANGULAR TOL ± 3.0° | | | | DRWN: ZIXUAQ 2022/09/07 | | | | | | | | | |
| 4 PLACES ± | | | | CHK'D: XQZHANG 2022/10/17 | | | | | | PRODUCT CUSTOMER DRAWING | | | |
| 3 PLACES ± | | | | APPR: XQZHANG 2022/10/17 | | | | | | | | | |
| 2 PLACES ± 0.25 | | | | INITIAL REVISION: | | | | | | DOCUMENT NUMBER: 2182160030-SD DOC TYPE: PSD DOC PART: 000 REVISION: A | | | |
| 1 PLACE ± 0.36 | | | | DRWN: ZIXUAQ 2022/09/07 | | | | | | | | | |
| 0 PLACES ± | | | | APPR: XQZHANG 2022/10/17 | | | | | | MATERIAL NUMBER: SEE TABLE CUSTOMER: GENERAL MARKET SHEET NUMBER: 1 OF 2 | | | |
| DRAFT WHERE APPLICABLE MUST REMAIN WITHIN DIMENSIONS | | THIRD ANGLE PROJECTION | | DRAWING: A2-SIZE | | SERIES: 218216 | | | | | | | |



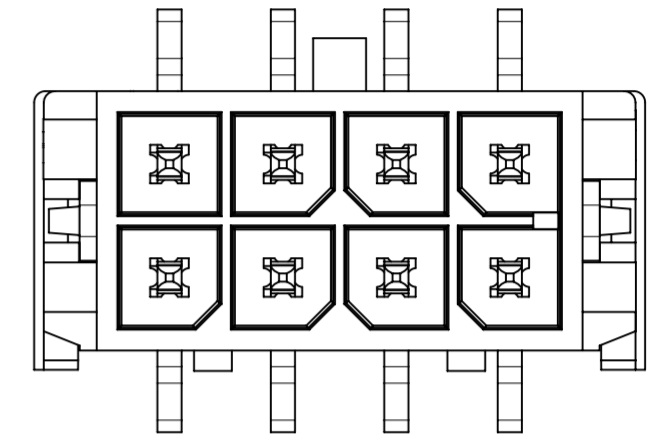
2CKT



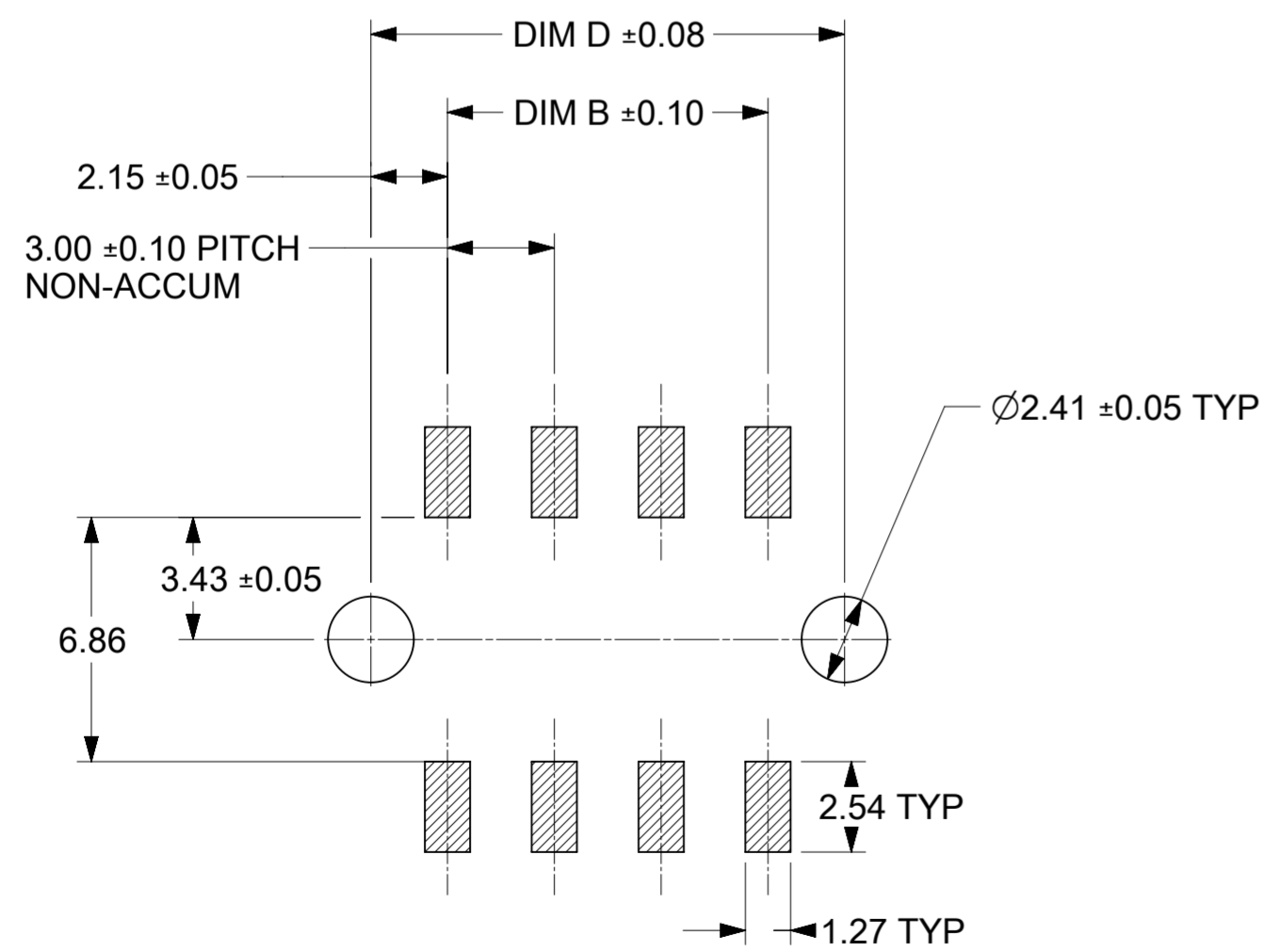
4CKT



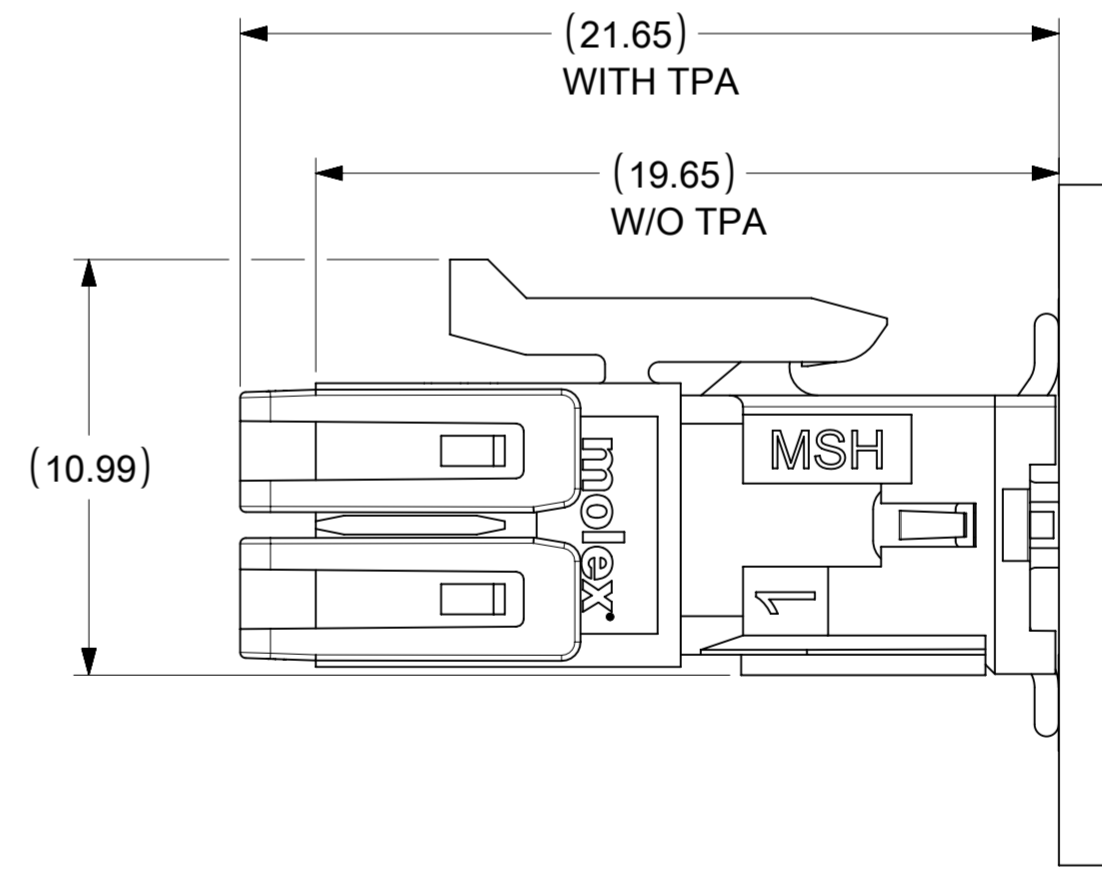
6CKT



8CKT



PCB LAYOUT: COMPONENT SIDE
 RECOMMENDED THICKNESS : 1.60 ± 0.05 MM



THIS DRAWING CONTAINS INFORMATION THAT IS PROPRIETARY TO MOLEX ELECTRONIC TECHNOLOGIES, LLC AND SHOULD NOT BE USED WITHOUT WRITTEN PERMISSION

| | | | | | | | |
|--|-----------------|-------------------|------------|---|--|----------------|--|
| DIMENSION UNITS | SCALE | CURRENT REV DESC: | | | | | |
| mm | NTS | | | | | | |
| GENERAL TOLERANCES (UNLESS SPECIFIED) | | | | MICRO-FIT PLUS DUAL ROW VERTICAL SMT HEADER WITH PRESS CLIP | | | |
| ANGULAR TOL | $\pm 3.0^\circ$ | | | | | | |
| 4 PLACES | \pm | EC NO: 724761 | 2022/09/07 | PRODUCT CUSTOMER DRAWING | | | |
| 3 PLACES | \pm | DRWN: ZIXUAQ | 2022/10/17 | | | | |
| 2 PLACES | ± 0.25 | CHK'D: XQZHANG | 2022/10/17 | DOCUMENT NUMBER: 2182160030-SD DOC TYPE: PSD DOC PART: 000 REVISION: A | | | |
| 1 PLACE | ± 0.36 | APPR: XQZHANG | 2022/10/17 | | | | |
| 0 PLACES | \pm | INITIAL REVISION: | | MATERIAL NUMBER: SEE TABLE CUSTOMER: GENERAL MARKET SHEET NUMBER: 2 OF 2 | | | |
| DRAFT WHERE APPLICABLE MUST REMAIN WITHIN DIMENSIONS | | DRWN: ZIXUAQ | 2022/09/07 | | | | |
| | | APPR: XQZHANG | 2022/10/17 | DRAWING: A2-SIZE | | SERIES: 218216 | |