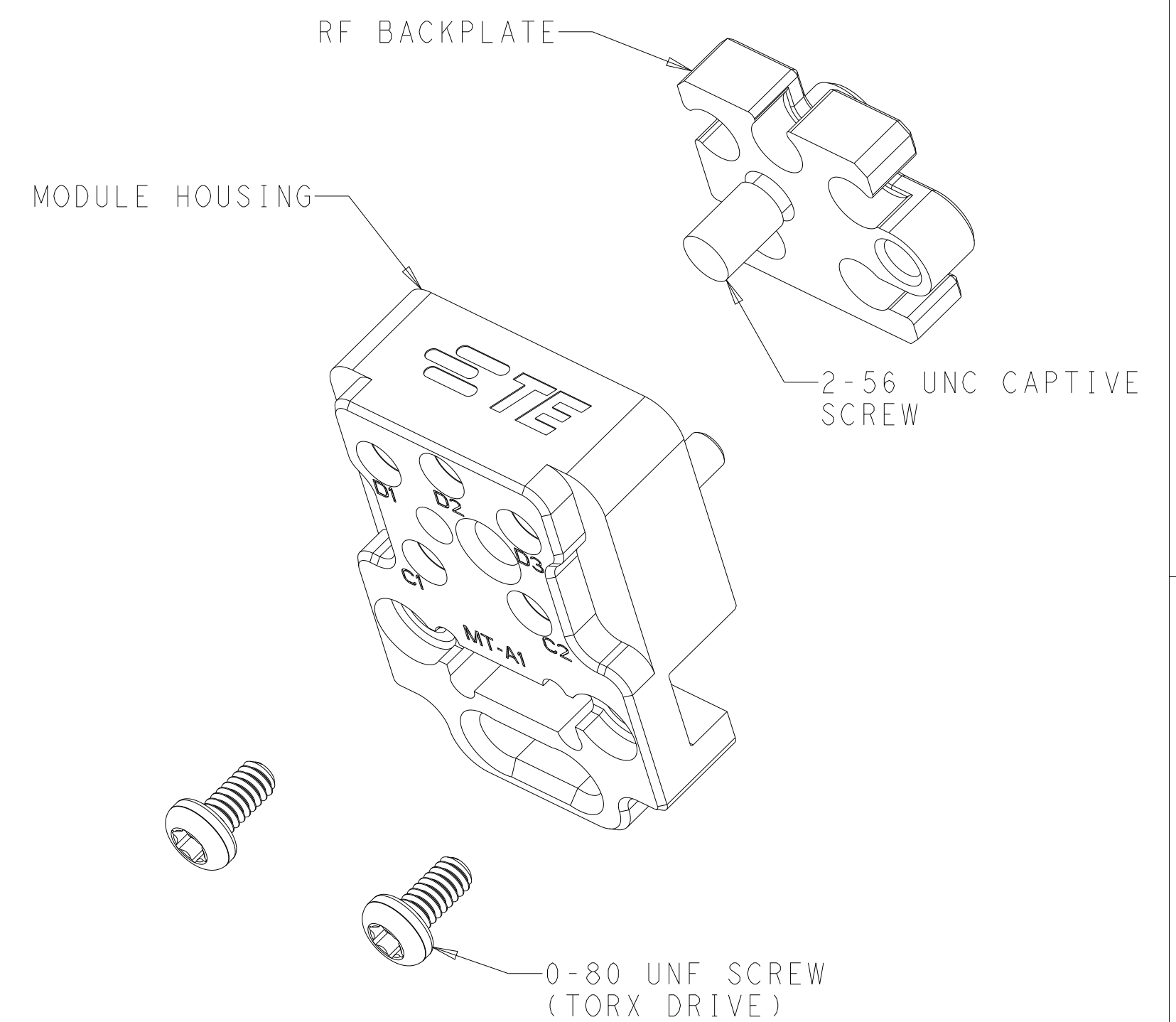
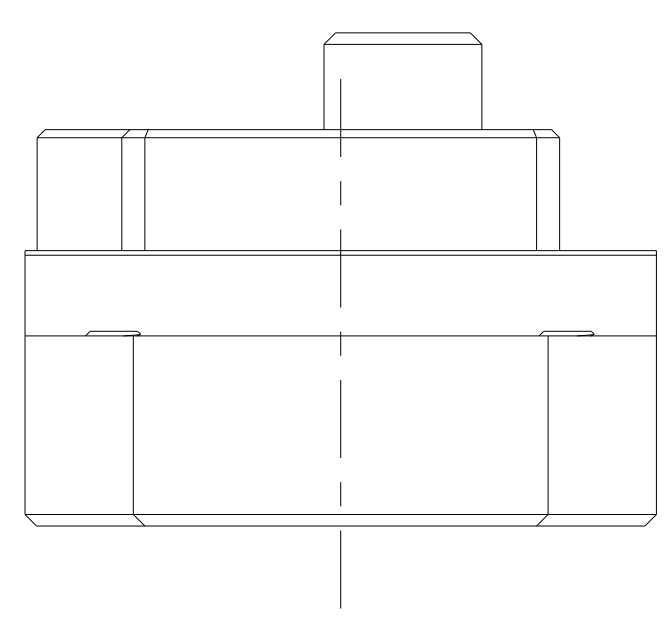
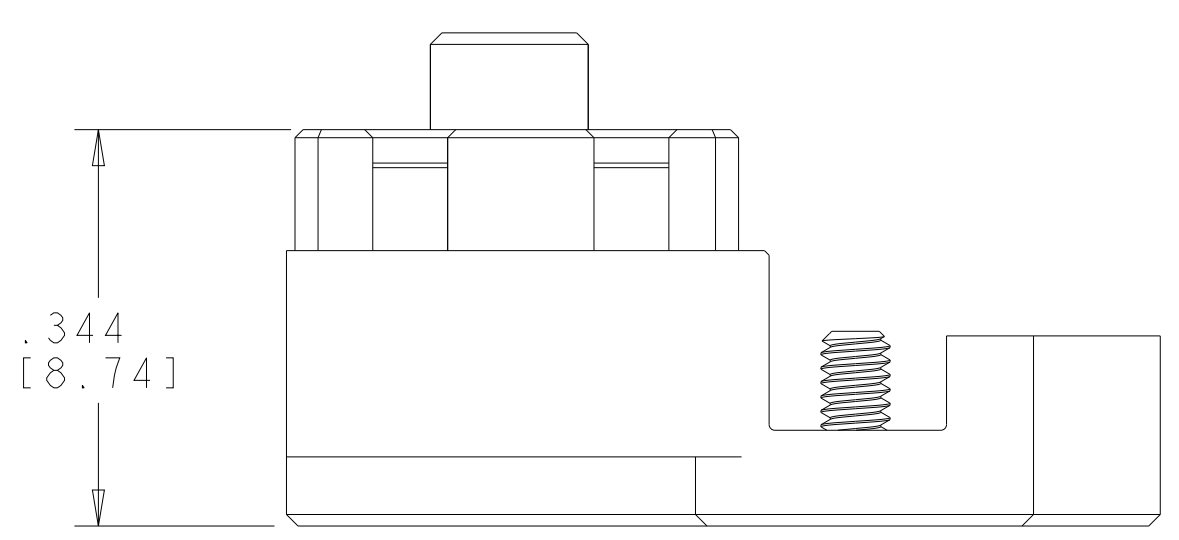
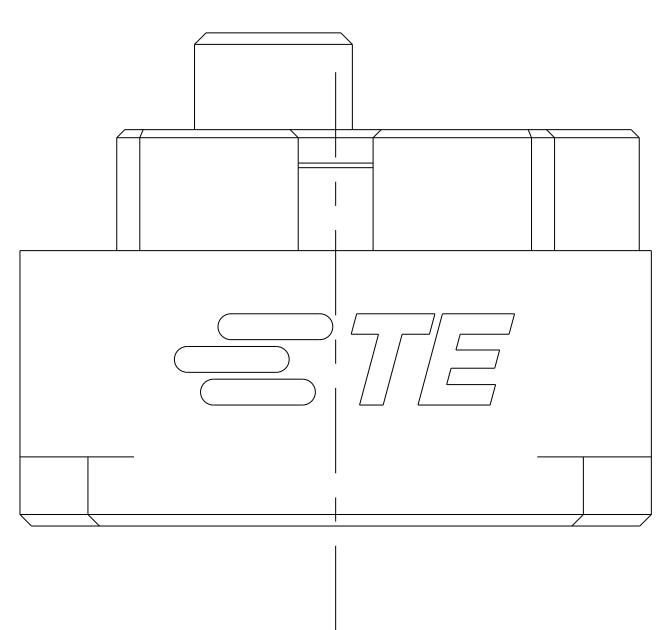
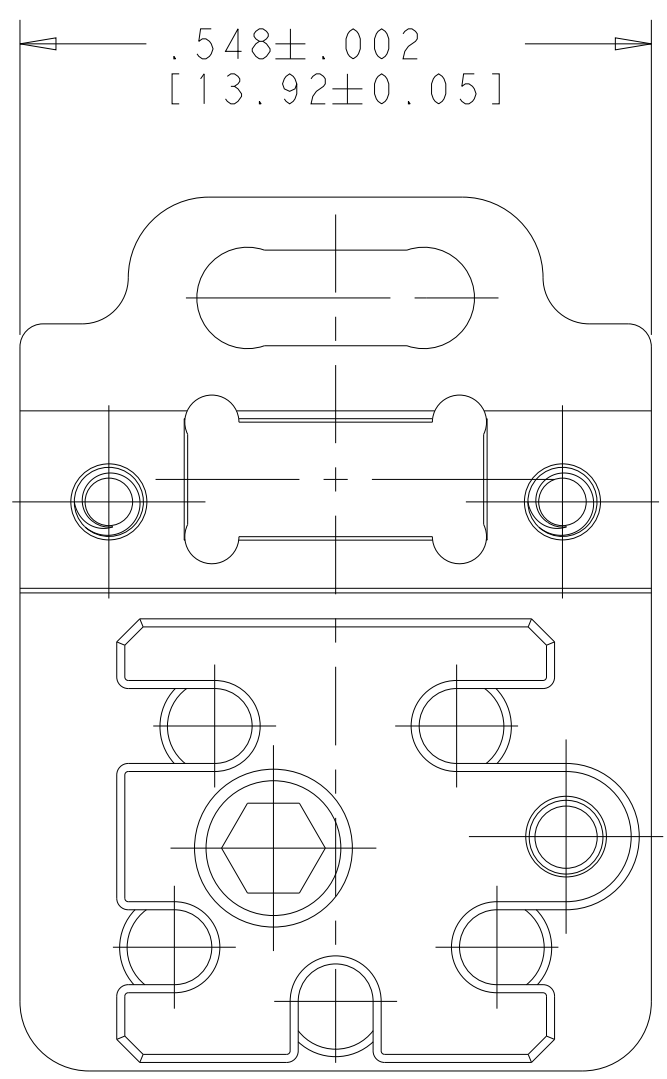
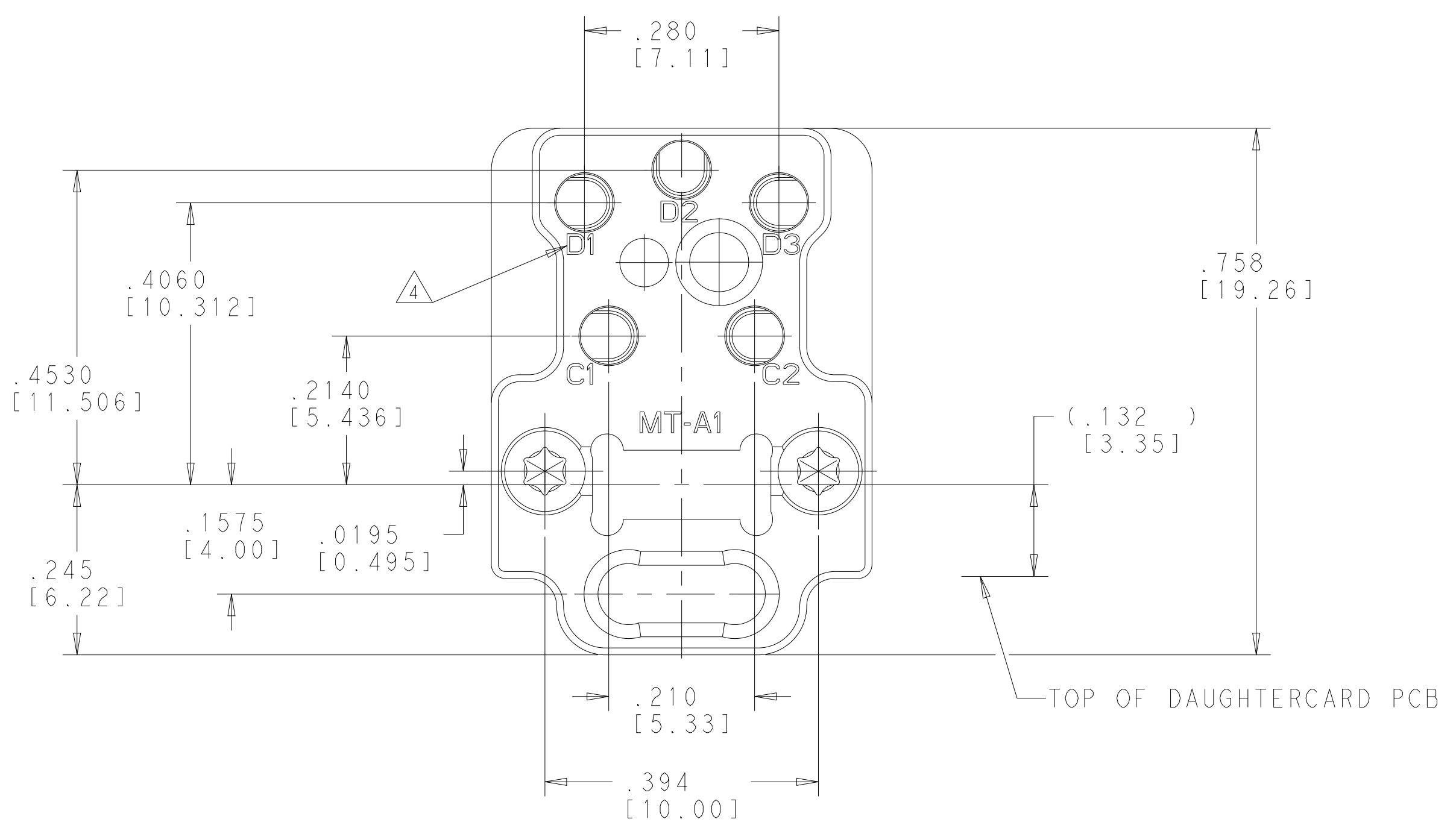


REVISIONS				
P	LTM	DESCRIPTION	DATE	APVD
2		.394 WAS .409 (ZONE A7)	16DEC2019	KM CG
3		ADD COMPATIBLE TRANSCEIVER P/N'S	10JUN2020	KM CG
4		ADD ADD'L ALIGNMENT	16SEP2020	KM CG
5		.774[19.66] WAS .780[19.81]	19OCT2022	KM FB



SCALE 5:1



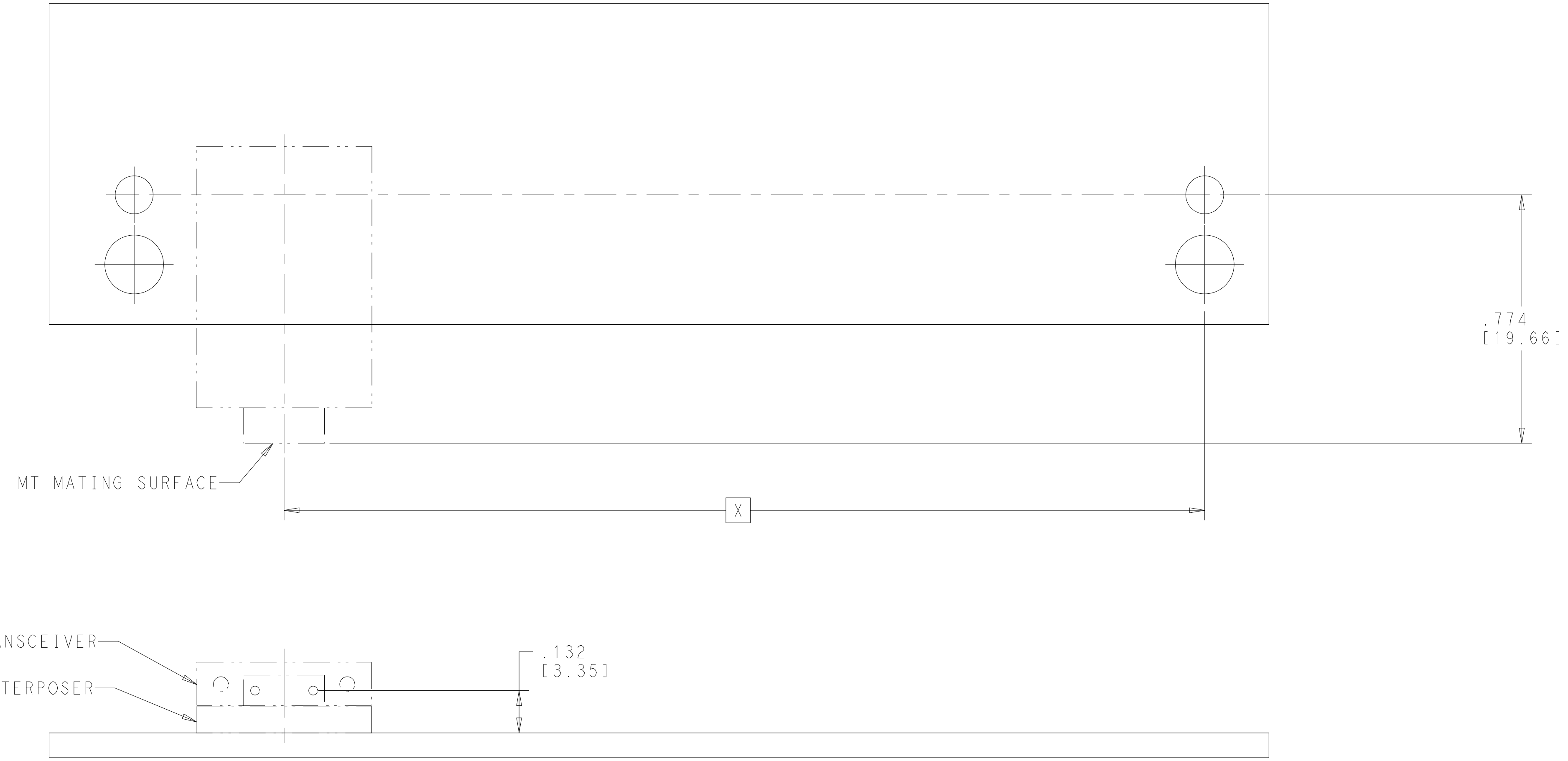
- 1 MATERIAL:  
MODULE HOUSING AND BACKPLATE - ALUMINUM ALLOY  
SCREW - 300 SERIES STAINLESS STEEL
- 2 FINISH:  
MODULE HOUSING AND BACKPLATE - CLEAR CHROMATE CONVERSION COATING  
SCREWS - PASSIVATED
- 3. SHIPPED IN KIT FORM. CAPTIVE SCREW TO BE PRE-ASSEMBLED TO BACKPLATE.
- 4 CIRCUIT IDENTIFICATION MARKING
- 5. DESIGNED TO BE USED WITH NanoRF CONTACTS 2302339-1 AND MT TRANSCEIVER WITH INTERPOSER COMPATIBLE WITH VITA 66.5.  
COMPATIBLE TRANSCEIVER TE PART NUMBERS INCLUDE:  
2367559-X  
2374161-X  
2374798-X  
SEE TRANSCEIVER DOCUMENTATION FOR THE INTERPOSER PART NUMBER REQUIRED.
- 6 PRODUCT SPEC:  
NanoRF: 108-163006  
MT FIBER OPTIC: TBD
- 7 APPLICATION SPEC:  
NanoRF: 408-163016  
MT FIBER OPTIC: TBD

THIS PRINT IS  
**PRELIMINARY**  
 UNQUALIFIED PRODUCT  
 CONTACT PRODUCT ENGINEERING  
 BEFORE USING THIS PRINT


2358435-1  
 PART NUMBER

THIS DRAWING IS A CONTROLLED DOCUMENT.		DWN K. MILLER 08JUL2019	APVD C. GINGRICH 03SEP2019	NAME CONNECTOR KIT, PLUG, D-CARD, 5 POS NanoRF, TRANSCEIVER, MT, VITA 66.5-STYLE C VARIANT
DIMENSIONS: [INCHES(mm)]	TOLERANCES UNLESS OTHERWISE SPECIFIED:	PRODUCT SPEC	APPLICATION SPEC	RESTRICTED TO
0 PLC ±	1 PLC ±	2 PLC ±	3 PLC ±.005(0.13)	4 PLC ±
ANGLES	FINISH	WEIGHT	SIZE A1	CAGE CODE 00779
MATERIAL	FINISH	WEIGHT	SCALE 6:1	SHEET 1 OF 2
CUSTOMER DRAWING		REV 5		

REVISIONS				
P	LTN	DESCRIPTION	DATE	APVD
-		SEE SHEET 1	-	-



REQUIRED TRANSCEIVER MOUNTING LOCATION  
SEE TRANSCEIVER DOCUMENTATION FOR  
SPECIFIC MOUNTING DETAILS

THIS DRAWING IS A CONTROLLED DOCUMENT.		DWN K. MILLER 08JUL2019	 TE Connectivity	
DIMENSIONS: INCHES(mm)		CHK C. GINGRICH 03SEP2019		
TOLERANCES UNLESS OTHERWISE SPECIFIED:		APVD	NAME CONNECTOR KIT, PLUG, D-CARD, 5 POS NanoRF, TRANSCEIVER, MT, VITA 66.5-STYLE C VARIANT	
0 PLC ±	1 PLC ±	PRODUCT SPEC	SIZE CAGE CODE DRAWING NO RESTRICTED TO	
2 PLC ±	3 PLC ±	APPLICATION SPEC	A100779C=2358435	
4 PLC ±	ANGLES ±	WEIGHT	CUSTOMER DRAWING	
FINISH		SCALE	SHEET 2 OF 2 REV 5	