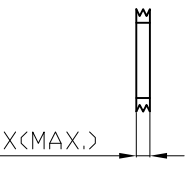
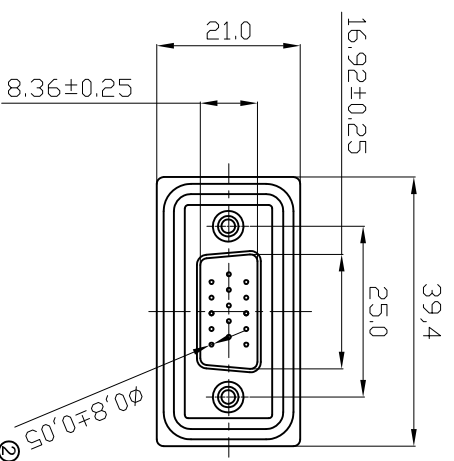
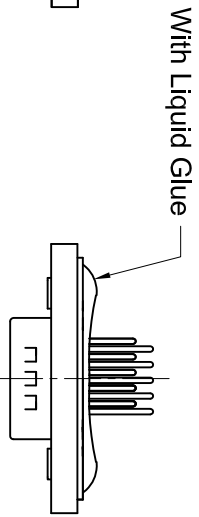
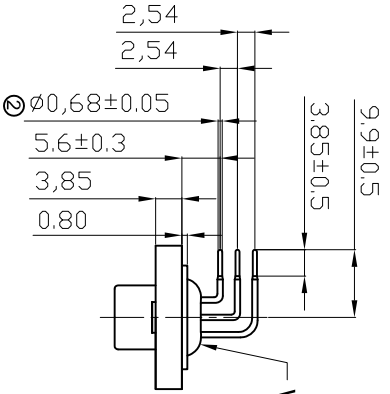
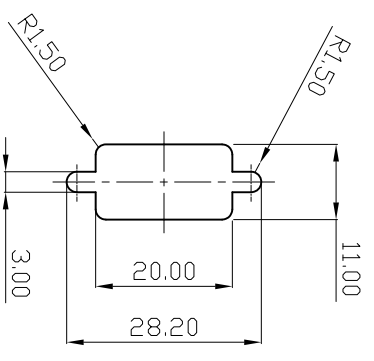


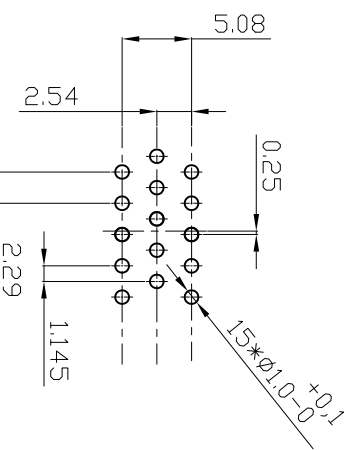
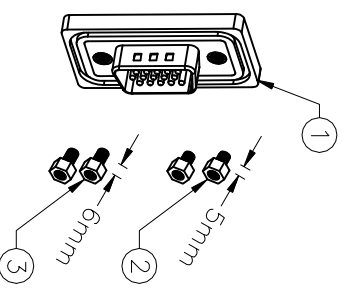
1 2 3 4 5 6 7



Panel Thickness
Screw L=5.0 For Panel Thickness Under 1.2mm
Screw L=6.0 For Panel Thickness Between 1.2-2.0mm



NOTES:
MATERIAL
1. Insulator Material: Black, NYLON+G/F
2. Contact Material : Copper Alloy
3. Plating : Gold Plating
4. Waterproof Rate: IP67
5. Do Mating Test After Glued



15 Pin Male Connector
PCB Pin Layout
Scale 2:1

ROHS compliant
Unit: mm

Scale	Free						
TOLERANCE							
X.X	±0.25				Drawn	24.12.2008	JACK
X.XX	±0.10				Approved	18.01.2018	Amy
X.XXX	±0.05						
DIM							
	TOL						
Change dimensions and change came							
						18.01.2018	Amy
Drawn							
	±1°					24.12.2008	JACK
Angle							
TOL							
Id.							
Modification							
Date							
Name							



Customer-No.	Name	Date	Name
	JACK	24.12.2008	JACK
ASSMANN WSW-No.	Amy	18.01.2018	Amy
A-HDS 15 AA-WP			
Drawing-No.			
ASS 3274 CO	rev02		
Replace	Sheet		

1 2 3 4 5 6 7

A B C D E F G H