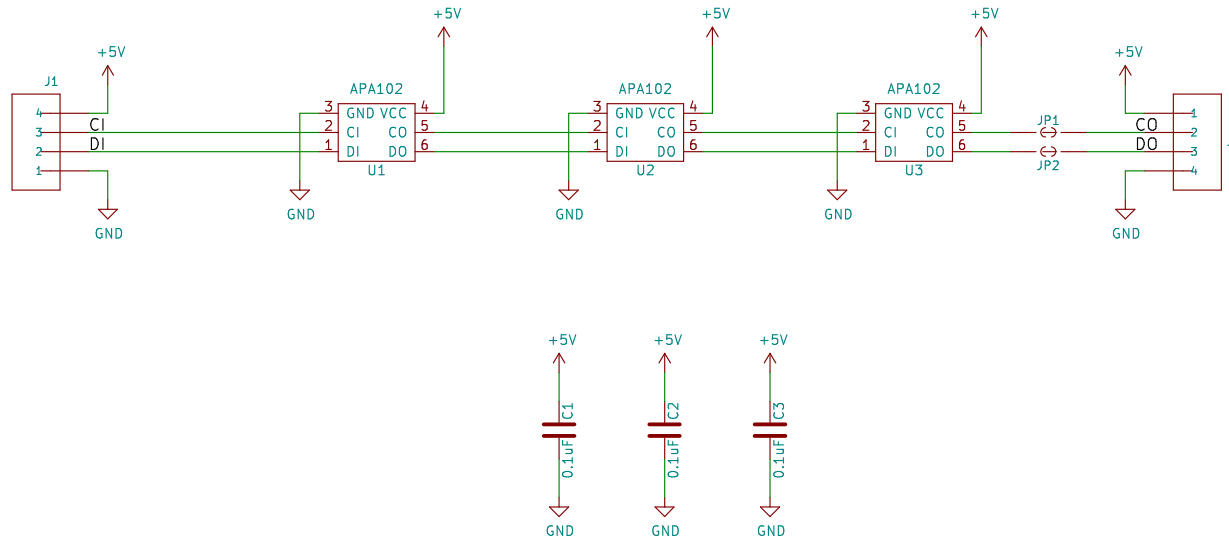


Note: JP1 and JP2 are present so the user can disconnect clock and data signals from subsequent boards, allowing you to make a closed loop design without having the logic from the last board interfere with the logic of the first. They are normally closed, so open them if you're making a closed loop design.



Released under the Creative Commons Attribution Share-Alike 4.0 License
<https://creativecommons.org/licenses/by-sa/4.0/>
 Designed by Pete Dokter

Sheet: 1/1
 File: Lumenati_90R.sch

Title: Lumenati_90R

Size: A4 Date: 7/5/17

KiCad E.D.A. kicad 4.0.7

Rev: v10

Id: 1/1