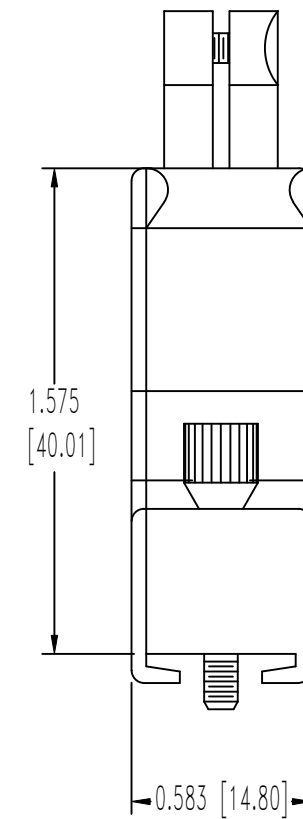
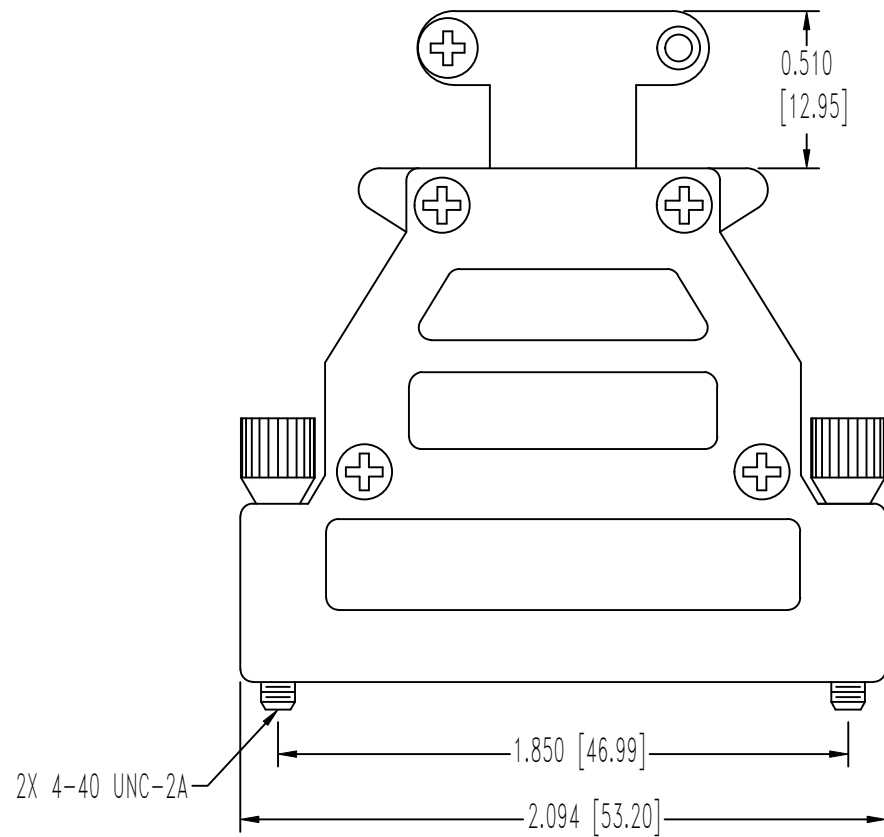


SK16832

THIS DRAWING CONTAINS INFORMATION PROPRIETARY TO POSITRONIC AND ITS SUBSIDIARIES. POSITRONIC BELIEVES THE DATA ON THIS DRAWING TO BE RELIABLE, SINCE THE TECHNICAL INFORMATION IS GIVEN FREE OF CHARGE, THE USER EMPLOYS SUCH INFORMATION AT HIS OWN DISCRETION AND RISK. POSITRONIC ASSUMES NO RESPONSIBILITY FOR RESULTS OBTAINED OR DAMAGES INCURRED FROM USE OF SUCH INFORMATION IN WHOLE OR IN PART.

DATE	REV	REVISION RECORD	APP	DR	CK
1-7-15	NC	ECO 45433	COLE	MP	CP



NOTES:

- MATERIALS AND FINISHES:
HOOD AND CABLE CLAMPS: DIE CAST ZINC.
JACKSCREWS: STEEL WITH NICKEL PLATE.
- DETAILED PRODUCT, MECHANICAL, AND ELECTRICAL INFORMATION IS AVAILABLE IN THE LATEST D-SUB ACCESSORY PRODUCT PUBLICATION. VISIT CONNECTPOSITRONIC.COM/PRODUCTS/58/D-SUBMINIATUREACCESSORIES OR CONNECTPOSITRONIC.COM.
- HOODS ARE COMPLIANT TO THE CURRENT ROHS DIRECTIVE.
- DIMENSIONS ARE IN INCHES [MILLIMETERS].

		POSITRONIC INDUSTRIES INC. www.connectpositronic.com		FSCM 28198
		D SERIES	SCALE N.T.S.	DRAWN BY MP
DECIMAL TOL. ± 0.015 [0.38]		TITLE D25000GEO/AA		
ANGULAR TOL. $\pm 5^\circ$		DATE 1-7-15	DRAWING NUMBER SK16832	REV. NC
		APPROVED BY COLE		