

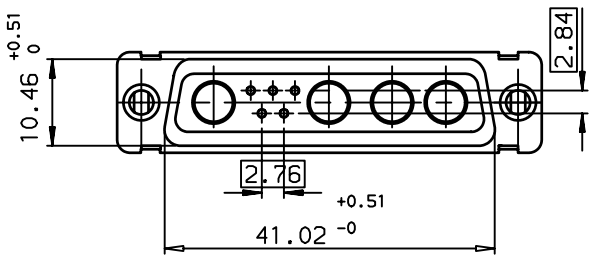
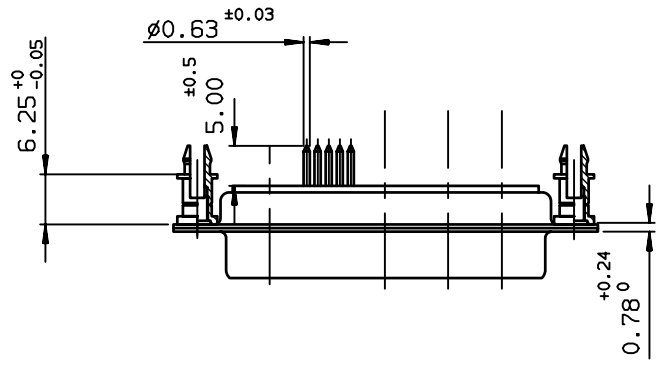
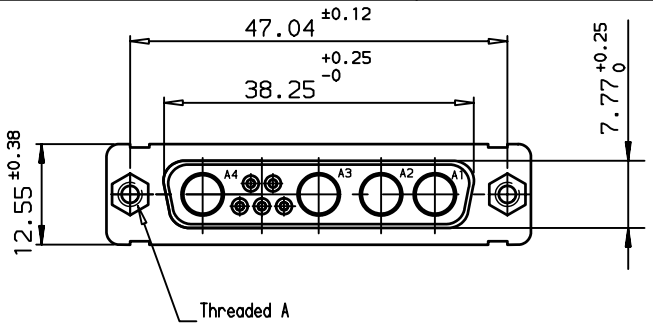
Copyright FCI.

A

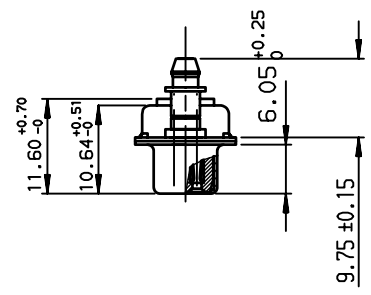
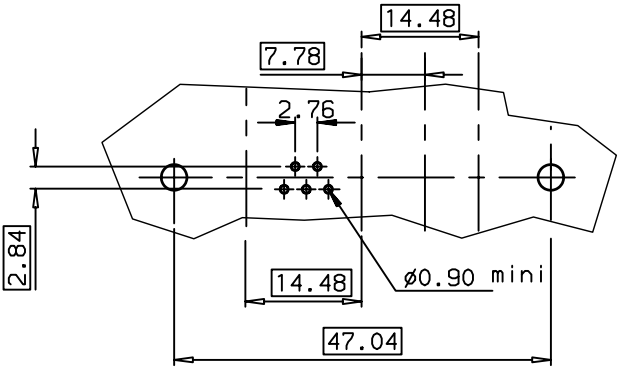
B

C

D



LAYOUT DIMENSIONS (after plating)
CONNECTOR SIDE VIEW



TIN LEAD PART NUMBER

DBL9W4S300G00	M3
DB09W4S300G00	UNC 4.40
PART NUMBER	Threaded A

LEAD FREE PART NUMBER

DBL9W4S300G00LF	M3
DB09W4S300G00LF	UNC 4.40
PART NUMBER	Threaded A

GENERAL CHARACTERISTICS AND ROHS INFORMATIONS:
SEE DRAWING C01-8639-0003

European Views

www.fciconnect.com		surface ISO 1302	tolerance std ISO 406 ISO 1101	projection mm	size A3	Scale 1.5
		TOLERANCES UNLESS OTHERWISE SPECIFIED				
Dr	JOUBERT	2002/05/17	ANGULAR	0.X	±0.1	
Eng	PESSON	2002/05/17	LINEAR	0.XX	±0.1	
Chr	LEGARE	2002/05/17	0.XX' ±2'	0.XXX	±0.1	ECN LS06-0095
Appr	LEGARE	2002/05/17	Product family	D-SUB	Spec ref	-
FCI		SOCKET CONNECTOR WITHOUT POWER CONTACTS			dwg no	C01-8639-1971
catalog no		-			CUSTOMER	sheet 1 of 1

rev	ecn no	dr	date
C	-	DEB	2003/09/16
D	LS05-001	MPE	2005/03/10
E	LS06-0095	LGO	2006/07/18
-	-	-	-
-	-	-	-
-	-	-	-