

# PulseJack® 2xN Gigabit PoE Plus






U.S. Patent#7241181

**Description:**

10/100/1000Base-T RJ45 2xN PoE Plus Integrated Connector with Magnetics, with the addition of power feeding over signal pairs.



**Features and Benefits:**

-  RoHS peak wave solder temperature rating 260°C
-  Suitable for CAT 5 & 6 UTP cable or better
-  Power over Ethernet Plus (PoE+) enabled  
- compatible to IEEE 802.3at standard
-  350µH minimum OCL with 18.3mA DC bias current
-  High performance for maximum EMI suppression

**Electrical Specifications @ 25°C - Operating Temperature 0°C to +70°C**

RoHS Compliant Part Number (Number of Ports)	PoE Enabled	Turns Ratio (±2%)	Insertion Loss TX/RX (dB TYP)	Return Loss (dB TYP) 100Ω (±15Ω)				Crosstalk (dB TYP)			Common Mode Rejection		Hipot (Vdc MIN) (dB TYP)
				1-100 MHz	1-40 MHz	60 MHz	100 MHz	1-10 MHz	30-60 MHz	60-100 MHz	1-10 MHz	10-150 MHz	
JOB-0384NL (2X4)	YES	1:1	-1.4	-18	-14	-10	-50	-41	-31	-50	-30	2250	
JOB-0386NL (2X6)	YES	1:1	-1.4	-18	-14	-10	-50	-41	-31	-50	-30	2250	
JOB-0388NL (2X8)	YES	1:1	-1.4	-18	-14	-10	-50	-41	-31	-50	-30	2250	

**Notes:** Contact Pulse for LED options

**RJ45 Durability Test Rating**

Part Number	Mating Force (MAX)	Unmating Force (MAX)	Durability
JOB Series	5 lbs./2.268 kgs.	5 lbs./2.268 kgs.	750 Insertions

**RJ45 Material Specification**

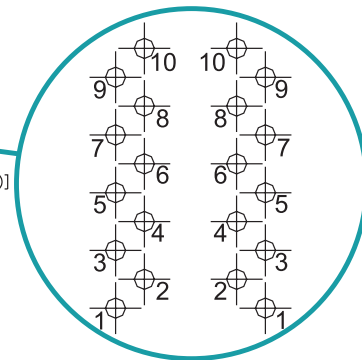
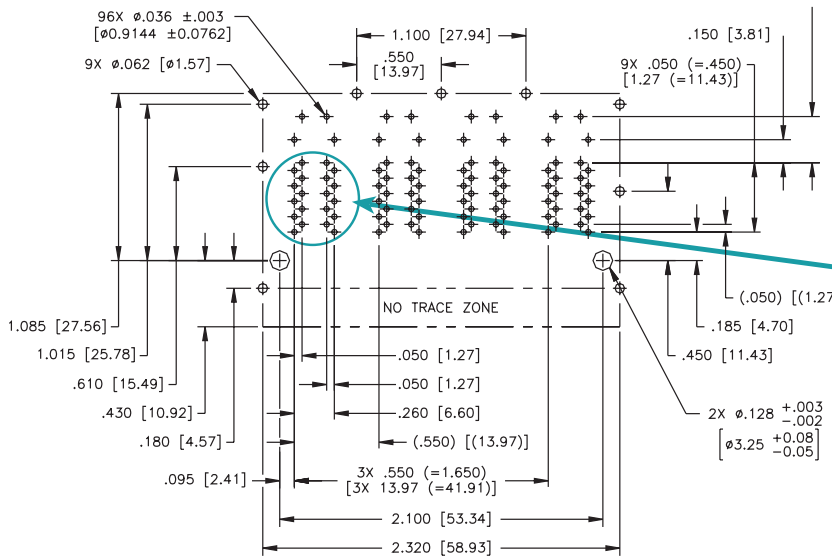
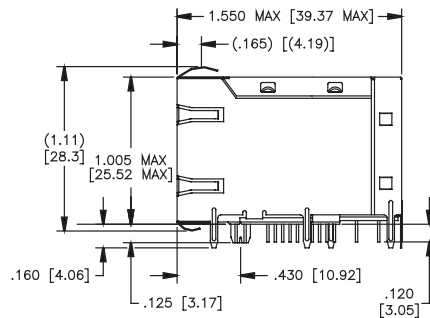
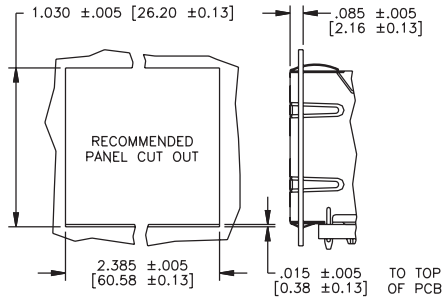
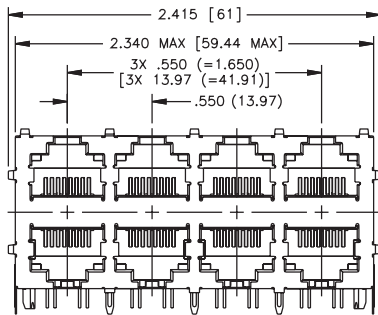
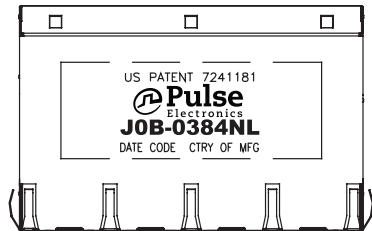
Part Number	Shield		Contact			Housing		MSL <sup>2</sup> Rating
	Material	Finish	Material	Plating Area	Solder Area	Material	Specification	
JOB Series	Brass	20-40µ inches thick nickel over brass	Phosphor Bronze	50µ inches gold over 30-50µ inches nickel	Tin matte finish over nickel	Thermoplastic	UL 94 V-0	1

**Notes:**

1. Connector dimensions comply with FCC dimension requirements.

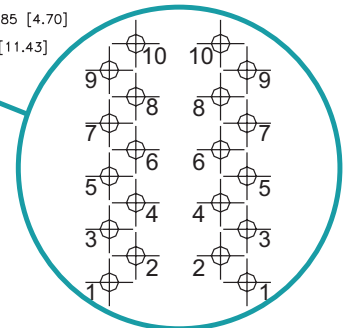
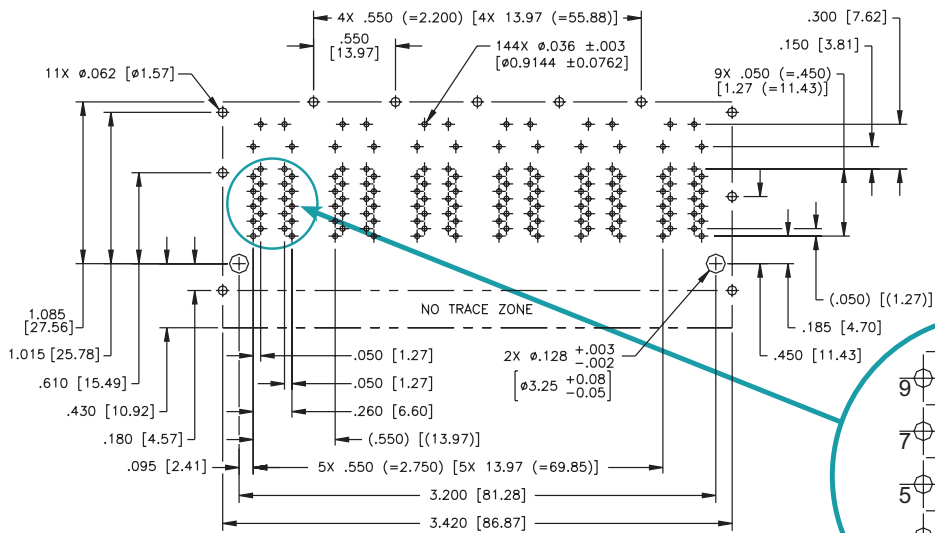
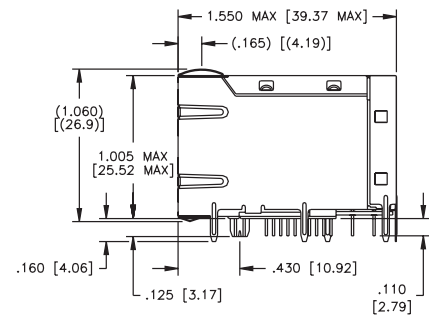
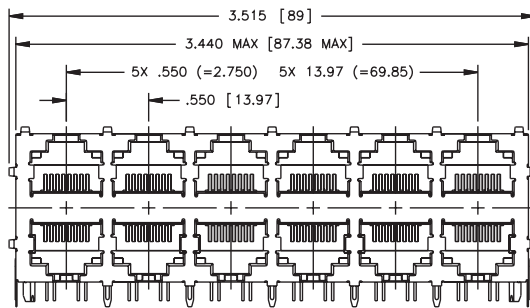
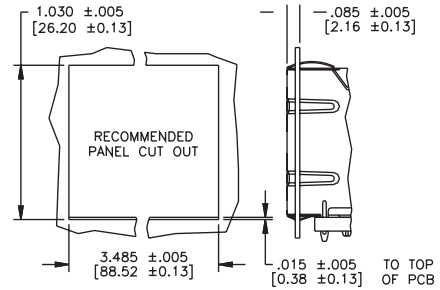
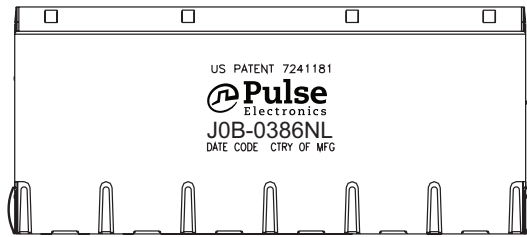
## 2X4 Mechanicals (No LEDs)

JOB-0384NL



## 2X6 Mechanicals (No LEDs)

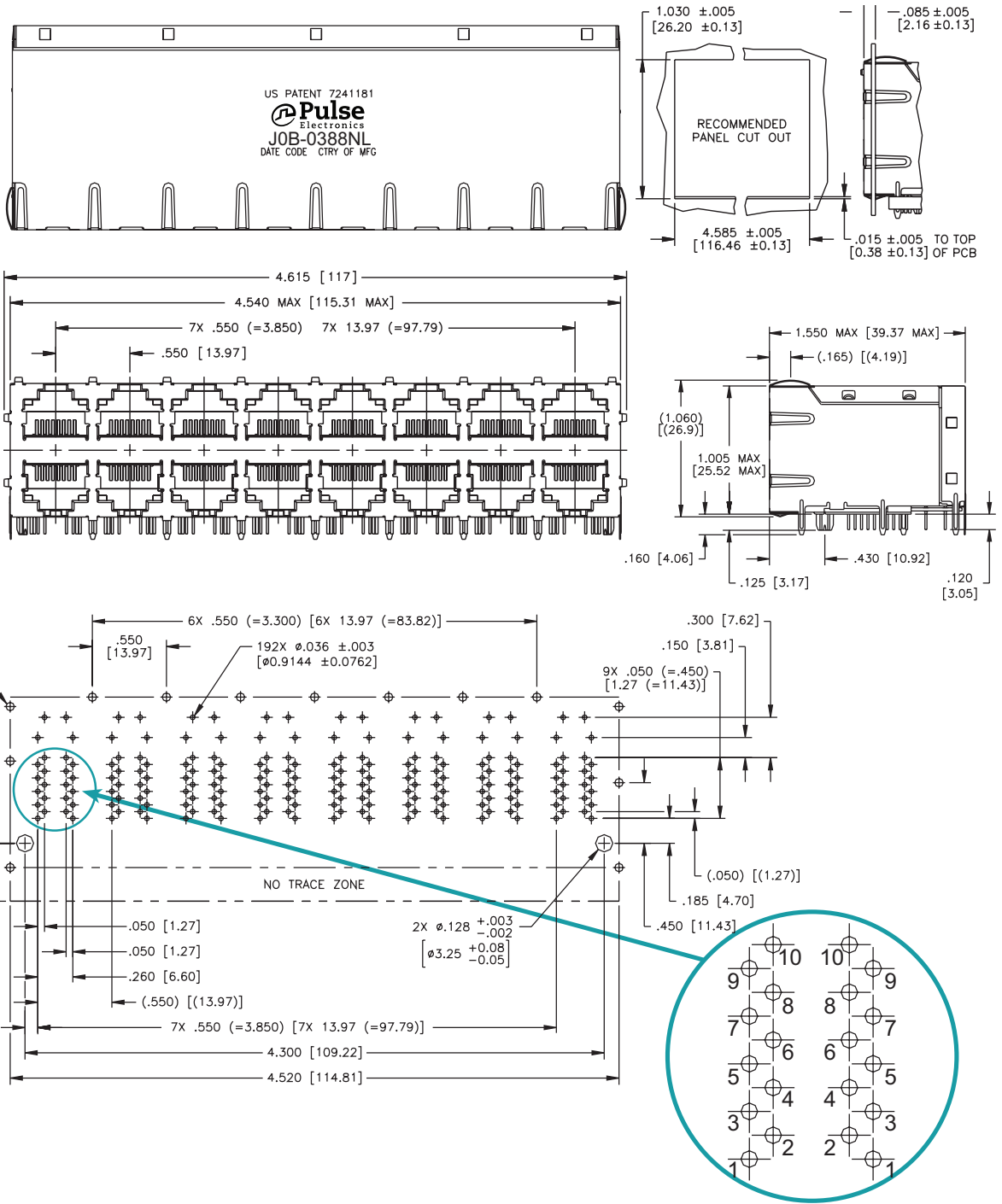
**JOB-0386NL**



Pin-out Assignment

## 2X8 Mechanicals (No LEDs)

**JOB-0388NL**



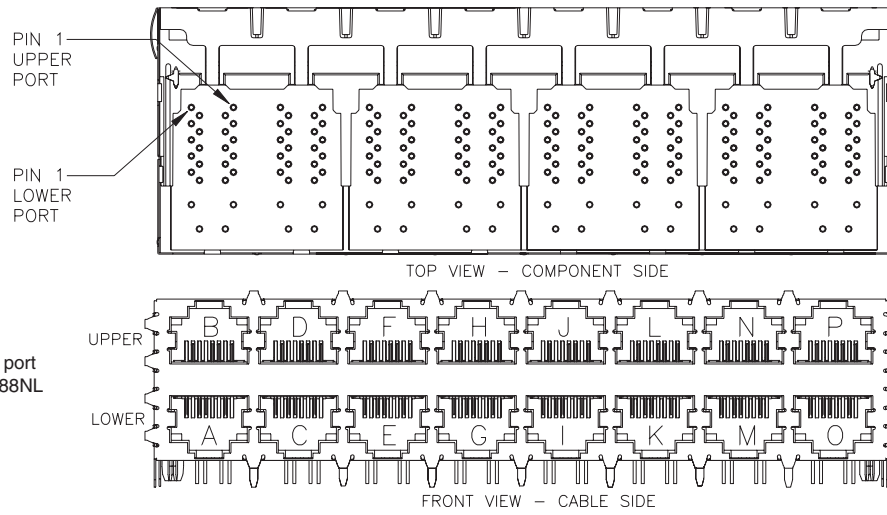
**Pin-out Assignment**

# PulseJack® 2xN Gigabit PoE Plus

U.S. Patent#7241181

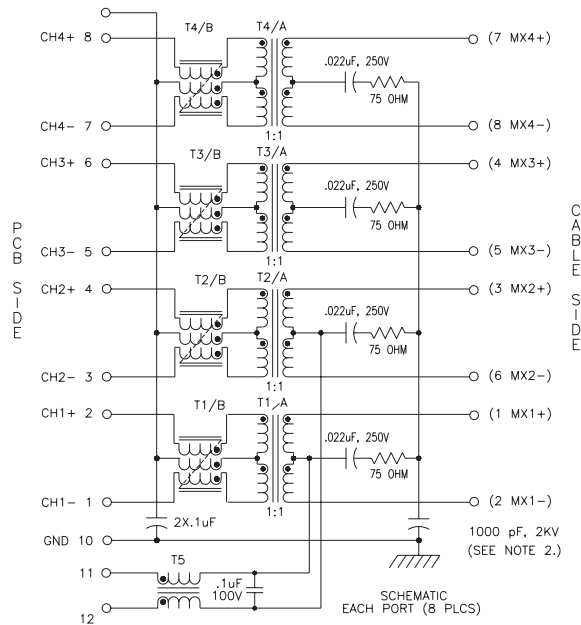
JOB-0384NL/86NL/88NL

## Pin-out Assignment



**NOTE:** All parts use the same port identification system. JOB-0388NL (2x8) shown here.

## Schematic



### For More Information:

Americas - [prodinfonetworkamericas@pulseelectronics.com](mailto:prodinfonetworkamericas@pulseelectronics.com) | Europe - [comms-Apps-Europe@pulseelectronics.com](mailto:comms-Apps-Europe@pulseelectronics.com) | Asia - [prodinfonetworkapac@pulseelectronics.com](mailto:prodinfonetworkapac@pulseelectronics.com)

Performance warranty of products offered on this data sheet is limited to the parameters specified. Data is subject to change without notice. Other brand and product names mentioned herein may be trademarks or registered trademarks of their respective owners. © Copyright, 2019. Pulse Electronics, Inc. All rights reserved.