

January, 2016

Attn.: _____

HIROSE ELECTRIC CO., LTD.

5-23, OSAKI 5-CHOME, SHINAGAWA-KU, TOKYO, JAPAN



Notice of Sales Discontinuation of MS-166 Series
and Request for Your Acknowledgement

Hirose would like to take this opportunity to thank you sincerely for your support, and we hope this letter finds you well and prosperous.

We are writing today to inform you that it has been decided that we will discontinue sales of the products described in the above title.

We sincerely apologize for any inconvenience this may cause.

We request that you kindly offer your consent to this matter.

1. Products Affected and Alternative Products

Current Product (Discontinued Product)			Alternative Products: MS-156C3		
Product Name	CL Code	Details of Specification	Product Name	CL Code	Details of Specification
MS-166	CL358-0229-3-00	2000Pcs./RL Package	MS-156C3	CL358-0340-0-00	10000 Pcs./RL Package
			MS-156C3(20)	CL358-0340-0-20	2000 Pcs./RL Package

When space saving is required: MS-180		
Product Name	CL Code	Details of Specification
MS-180	CL358-0265-7-00	15000 Pcs./RL Package
MS-180(20)	CL358-0265-7-20	3000 Pcs./RL Package

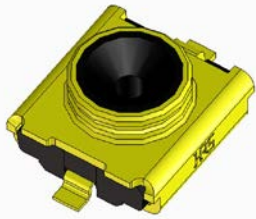
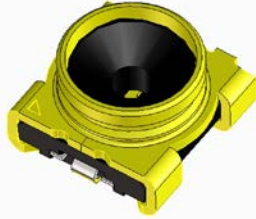

2. Reason for Sales Discontinuation

Sales discontinuation is due to the out-of-date equipment.

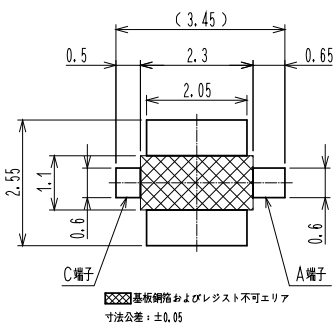
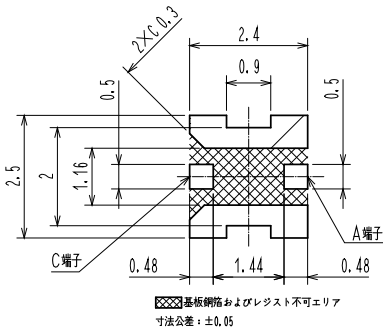
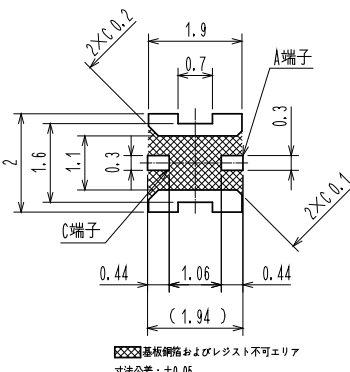
3. Differences between the Discontinued Product and the Alternative Product

There will be differences in size as shown in the figure below. The alternative product is made of the material that conforms to the regulations of beryllium-free.

Since the alternative product **is not compatible for mounting** with the discontinued product, it cannot be mounted on the same circuit board as the one the discontinued product is mounted. Please refer to the specification table for high-frequency performance.

Properties	Discontinued product: MS-166	Alternative product: MS-156C3	When space saving is required: MS-180
External appearance			
Occupying area	2.3×2.3		1.8×1.8
Height	1.2	1.35	0.85
Frequency range	up to 11GHz		
Inspection plug (Representative)	MS-166-C(LP)-H1 MS-166-HRMJ-F1	MS-156-088LP-H1 MS-156-HRMJ-F6	MS-180-040LP-H1 MS-180-HRMJ-F6
Beryllium-free	Non-conformance	Conformance	
RoHS Halogen-free	Conformance		

Land Pattern Dimension

Discontinued product: MS-166	Alternative product: MS-156C3	When space saving is required: MS-180
 <p>Dimensions: 0.5, 2.3, 0.65, 2.05, 2.55, 1.1, 0.6, 0.6. Total width: (3.45). Labels: C端子, A端子. Legend: 基板銅箔およびレジスト不可エリア 寸法公差: ±0.05</p>	 <p>Dimensions: 2.4, 0.9, 0.5, 2.5, 2, 1.16, 0.5, 0.48, 1.44, 0.48. Slope: 2×45°/0.3. Labels: C端子, A端子. Legend: 基板銅箔およびレジスト不可エリア 寸法公差: ±0.05</p>	 <p>Dimensions: 1.9, 0.7, 0.3, 2, 1.6, 1.1, 0.3, 0.3, 0.44, 1.06, 0.44. Slope: 2×45°/0.2. Total width: (1.94). Labels: A端子, C端子. Legend: 基板銅箔およびレジスト不可エリア 寸法公差: ±0.05</p>

4. Last Date for Receiving Orders of the Discontinued Product and Start Date for Receiving Orders of the Alternative Product

- Last date for receiving orders of the discontinued product November 30, 2016
- Start date for receiving orders of the alternative product We are already receiving the orders.
- Last shipping date for the discontinued product January 20, 2017

5. Confirmation of Your Acknowledgement

We kindly request that you let a Hirose account representative know you acknowledge this matter by August 20, 2016.

In the absence of a response by this date, please be advised that you will be delivered products that have been changed as described above.

If you should have any questions, please feel free to contact a Hirose account representative.

Your understand and cooperation is highly appreciated.

Acknowledgement

(Customer -> Hirose Electric business representative)

**Notice of Sales Discontinuation of MS-166 Series
and Request for Your Acknowledgement**

We acknowledge the aforementioned matter.

Customer's name: _____

Acknowledgement stamp (or signature): _____

HIROSE ELECTRIC CO., LTD.

_____ (Cut on this line) _____

Document Receipt

(Customer -> Hirose Electric business representative)

**Notice of Sales Discontinuation of MS-166 Series
and Request for Your Acknowledgement**

We received the document concerning the above.

Customer's name: _____

Acknowledgement stamp (or signature): _____

HIROSE ELECTRIC CO., LTD.