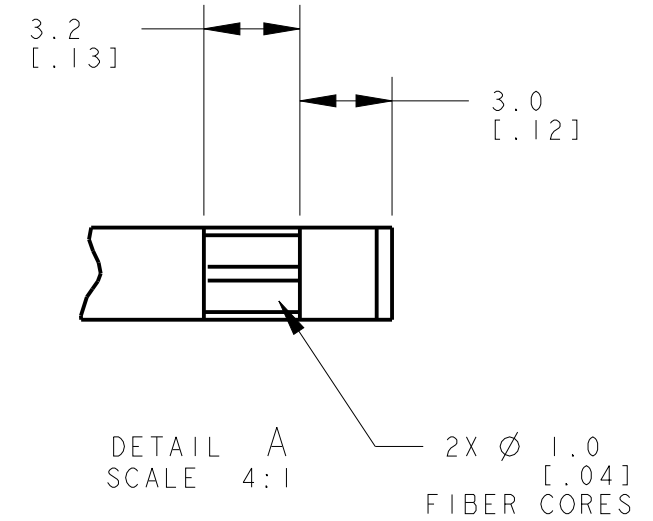
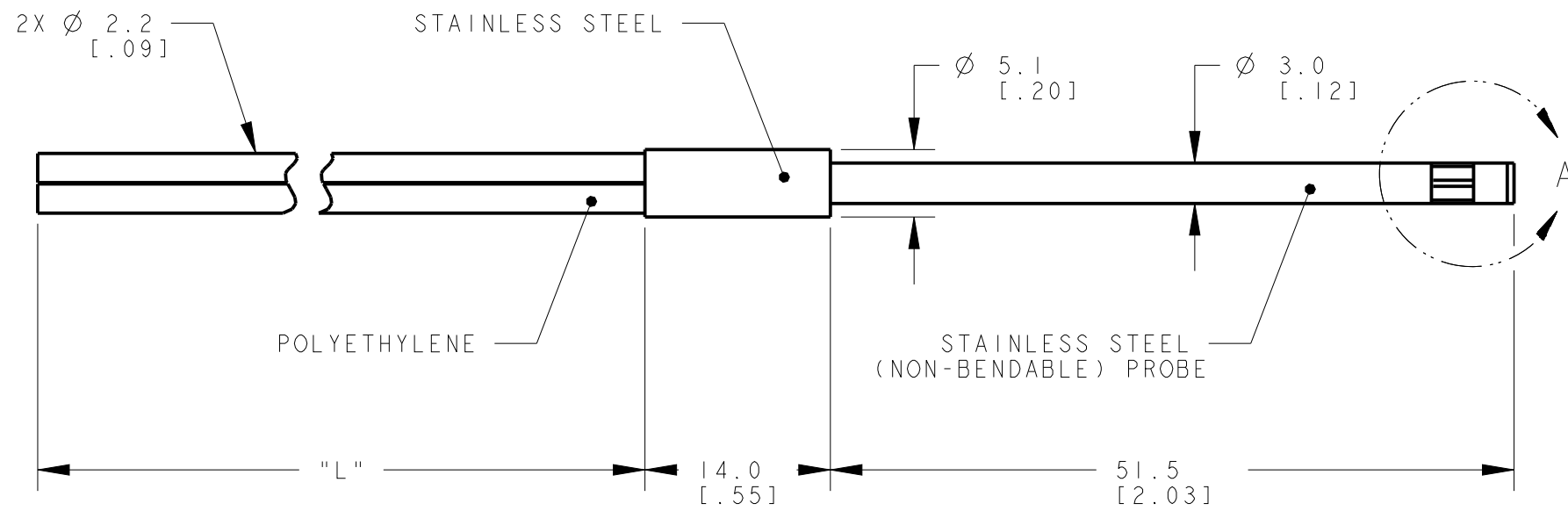


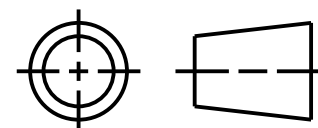
8	7	6	5	4	3	2	1
MODEL NO.	"L"	P/N	*SUFFIX 'HF' DENOTES HIGH-FLEX FIBER CABLE-VERY SMALL BEND RADIUS PERMISSIBLE BEFORE TRANSMISSION LOSS.				
PBPS46UHF	2000 [79]	51824					



NOTES:
 1. ALL DIMENSIONS ARE MILLIMETERS [INCHES] UNLESS OTHERWISE NOTED.
 2. REFER TO "www.bannerengineering.com" FOR ADDITIONAL DATA AND SPECIFICATIONS.

This drawing is the property of BANNER ENGINEERING CORP. Any use or reproduction, in any form, without prior written permission of Banner is prohibited.
 © 2015 Banner Engineering Corp.

THIRD ANGLE PROJECTION



BANNER		BANNER ENGINEERING CORP. www.bannerengineering.com	
TITLE PBPS4 HF SERIES UNTERMINATED			
SIZE B	DRAWING NO. 192762	REV. A	
SCALE 2:1		SHEET 1 OF 1	

CREO