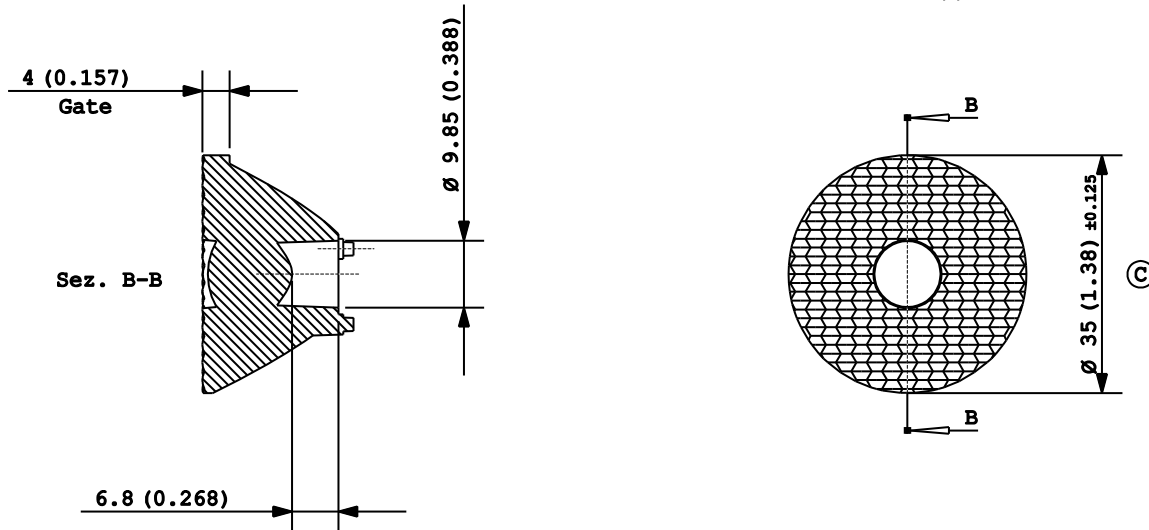
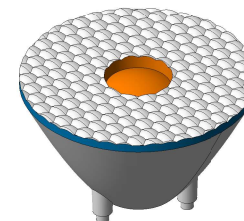
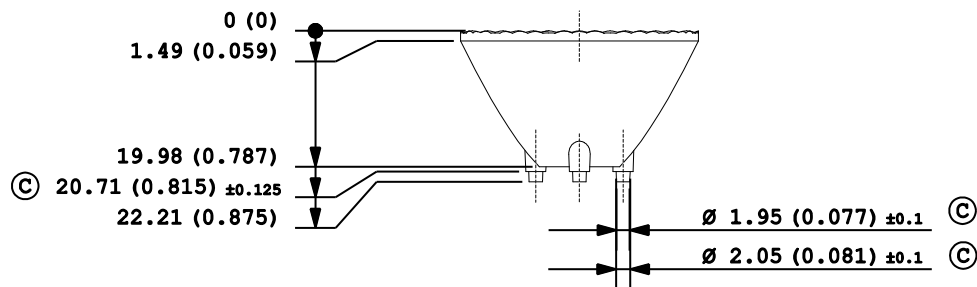
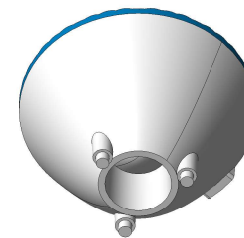
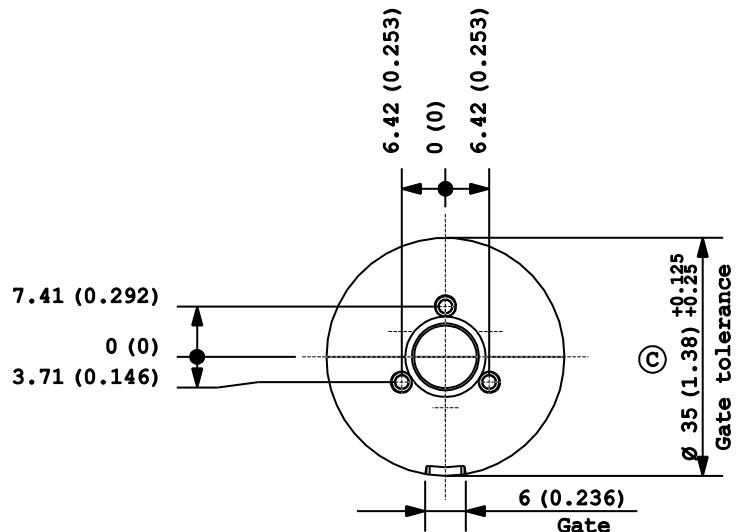


Note:

- Dimensions in inches into brackets
- For missing dimensions see 3D file
- WHITE surfaces mirror polished
- BLUE surfaces embossed 25/27 VDI
- ORANGE surfaces embossed 15/17 VDI

© = Quality Control Dimension (QCD)



<p>'' Project and design owned by Khatod OPTOELECTRONIC s. r. l. ''          The technical solutions adopted in this design are Khatod intellectual property, they cannot be reproduced and transmitted to third parties without our prior written permission.          Unauthorized disclosure of confidential proprietary information will be prosecuted by law.</p>			
DESCRIPTION :	LENS	DESIGNER :	LM/DP
CODE :	PL 1672 ME	CHECKED :	DP
<p><b>KHATOD</b>          Via Alessandrina, 25          Cusano Milanino          MILANO          ITALIA          WWW.KHATOD.COM</p>		CONTROLLED :	DP
<p>All Dimensions in mm          General Tolerances +/-0.20 mm</p>		HEAT TREATMENT:	None
		SCALE :	1 : 1
		PROJECTS :	544_1672
		DATA :	24/10/2017
		MATERIAL:	Pmma 8N
		SHEET :	1 of 1