



**2.5 GHz 1,6/5.6 FAILSAFE TRANSFER SWITCH**

OPTIONS: / TTL DRIVE

**R F CHARACTERISTICS**

FREQUENCY RANGE : 0 - 2.5 GHz  
 IMPEDANCE : 75 Ohms

|                 |         |         |
|-----------------|---------|---------|
| FREQUENCY (GHz) | 0 - 1   | 1 - 2.5 |
| V.S.W.R <=      | 1.20    | 1.30    |
| INSERT. LOSS <= | 0.20 dB | 0.30 dB |
| ISOLATION >=    | 80 dB   | 70 dB   |
| AVER. POWER (*) | 400 W   | 240 W   |

**ELECTRICAL CHARACTERISTICS**

ACTUATOR : FAILSAFE  
 NOMINAL CURRENT AT 25°C (±10%) : 340 mA  
 ACTUATOR VOLTAGE (Vcc) : 12V (10.2 to 13V)  
 TERMINALS : D-sub 9 pins  
 TTL INPUTS (E) - High level : 2.2 to 5.5V / 800µA at 5V  
                                   - Low level : 0 to 0.8V / 20µA at 0.8V

**MECHANICAL CHARACTERISTICS**

CONNECTORS : 1,6/5.6 female per IEC 169-13  
 LIFE : 2.500.000 cycles  
 SWITCHING TIME (nominal voltage;25°C) : < 15 ms  
 CONSTRUCTION : splashproof  
 WEIGHT : < 100 g

**ENVIRONMENTAL CHARACTERISTICS**

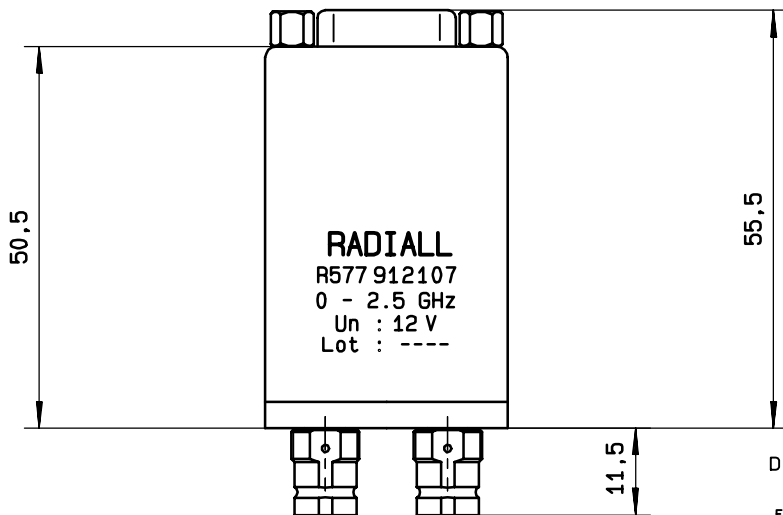
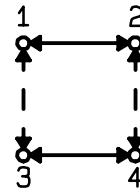
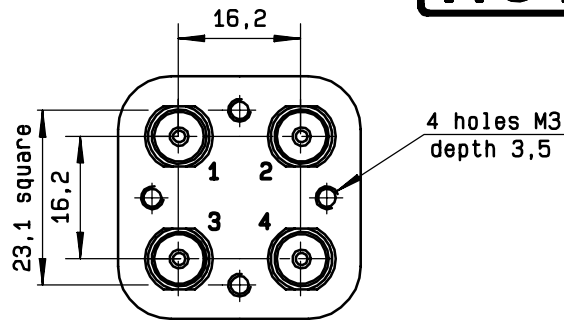
OPERATING TEMPERATURE RANGE (°C) : -25 , +70  
 STORAGE TEMPERATURE RANGE (°C) : -40 , +85

(\* : average power at 25°C)

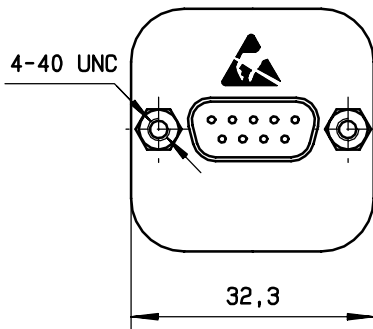
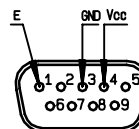
This information is given as an indication. In the continual goal to improve our products, we reserve the right to make any modifications judged necessary

4112-9212

**DRAWING**



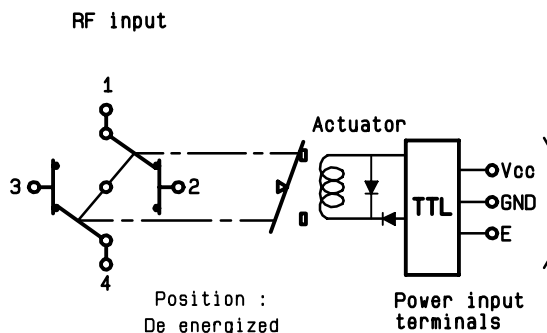
D-SUB 9 PINS TOP VIEW



General tolerance: ± 0,5 mm

**SCHEMATIC DIAGRAM**

| TTL input | RF continuity  |
|-----------|----------------|
| E=1       | 1 ↔ 3    2 ↔ 4 |
| E=0       | 1 ↔ 2    3 ↔ 4 |



This information is given as an indication. In the continual goal to improve our products, we reserve the right to make any modifications judged necessary

4113-9212