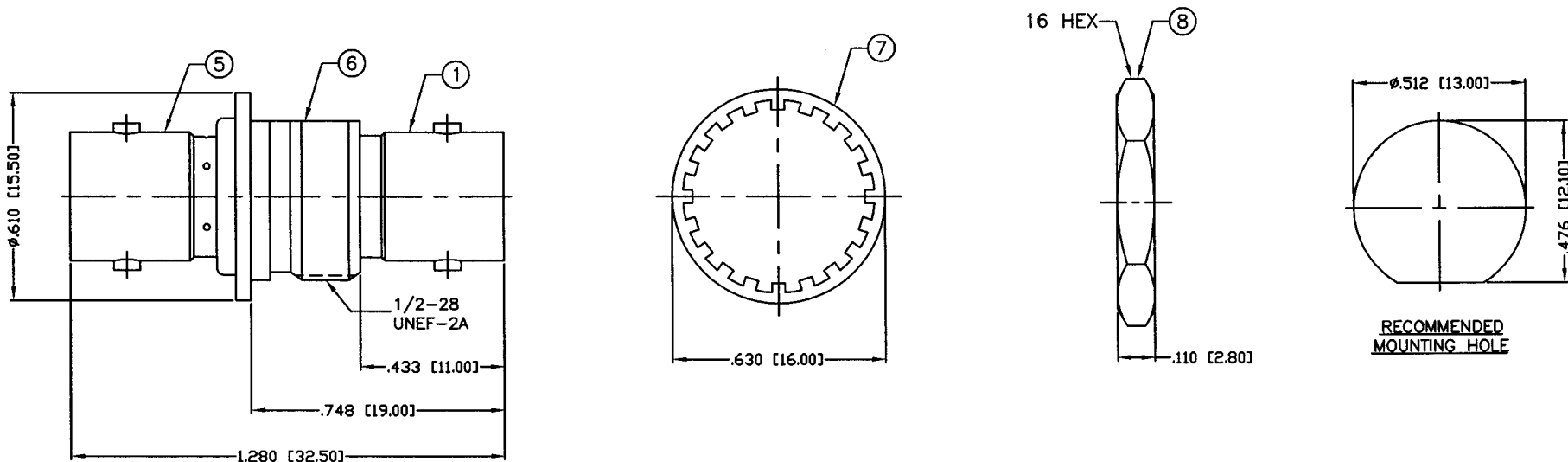


THIS DRAWING CONTAINS INFORMATION PROPRIETARY TO RF INDUSTRIES.
 ANY UNAUTHORIZED USE OF THIS DRAWING IS EXPRESSLY PROHIBITED
 WITHOUT WRITTEN PERMISSION FROM RF INDUSTRIES.
 ANY VIOLATION IS PUNISHABLE UNDER U.S. COPYRIGHT LAWS.

ALL DIMENSIONS ARE REFERENCE ONLY

PART NO.		RFB-1135-1		
REV	DESCRIPTION	DWN	DATE	APPROVED
-	ENGINEERING RELEASE	GGG	2/05/02	JDMc



SPECIFICATIONS:

IMPEDANCE: 50 Ohms
 FREQUENCY RANGE: 0-4 GHz
 WORKING VOLTAGE: 500 V rms @ sea level
 TEMPERATURE RANGE: -65°C TO 165°C

1. MAX. PANEL THICKNESS= .157 [4.00]

1	PRESS FIT BODY	1	BRASS	SILVER, 80μ"	008974	UNLESS OTHERWISE SPECIFIED: 1. REMOVE ALL BURRS 2. BREAK ALL CORNERS & EDGES .005 R. MAX. 3. CHAMFER 1ST & LAST THREADS 45° 4. SURFACE ROUGHNESS 63 FINISH MIL-STD-10 5. DIAMETERS ON COMMON CENTERS TO BE CONCENTRIC WITHIN .002 T.I.R. 6. ALL DIMENSIONS ARE AFTER PLATING.
2	INSULATOR	2	DELTRIN	---		
3	CONTACT	1	PHOS BRONZE	GOLD, 3μ"		
4	INSULATOR	1	DELTRIN	---		
5	BNC BODY	1	BRASS	SILVER, 80μ"		
6	BODY	1	BRASS	SILVER, 80μ"		
7	LOCK WASHER	1	BRASS	SILVER, 80μ"		
8	HEX NUT	1	BRASS	SILVER, 80μ"		
9						
10						
11					DRAWN G. GALLEGOS	2/05/02
12					CHECKED G. GALLEGOS	2-5-02
13					ORJ DRAWN G. GALLEGOS	10/16/01
14						
#	DESCRIPTION	QTY	MATERIAL	FINISH	APPROVALS	DATE

RF connectors
 DIVISION OF RF INDUSTRIES, LTD.

7610 MIRAMAR RD
 SAN DIEGO, CA 92126
 (858) 549-6340
 (858) 549-6345 FAX

BNC JACK TO JACK

BULKHEAD, ISOLATED ADAPTER

SIZE	CABLE GROUP	DWG NO.	REV
A	N/A	RFB-1135-1	-
SCALE: NTS		CAD FILE OUTLINE	SHEET 1 OF 1