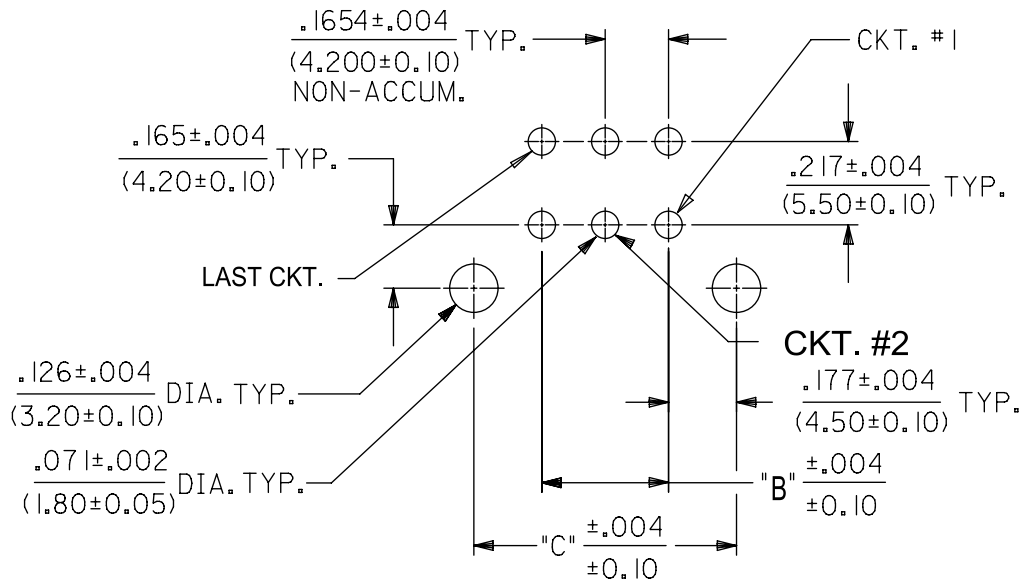
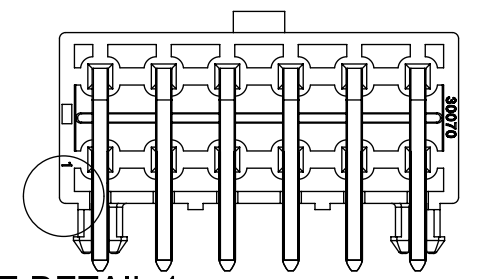


BLACK FLANGE MOUNT HEADERS

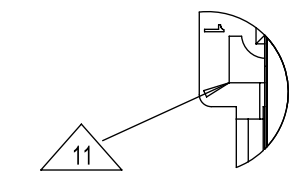
CKT. SIZE	PART NUMBER	ENG NUMBER	PLATING	DIM "A"	DIM "B"	DIM "C"	DIM "D"	PACKAGING	
2			TIN	.213		.354	.606	BULK	
			GOLD	(5.40)		(9.00)	(15.40)		
4			TIN	.378	.165	.520	.772		
			GOLD	(9.60)	(4.20)	(13.20)	(19.60)		
6	15-97-8062	30070-06A3	TIN	.543	.331	.685	.937		
	15-97-8067	30070-06A1	GOLD	(13.80)	(8.40)	(17.40)	(23.80)		
8	15-97-8082	30070-08A3	TIN	.709	.496	.850	1.102		
	15-97-8087	30070-08A1	GOLD	(18.00)	(12.60)	(21.60)	(28.00)		
10	15-97-8102	30070-10A3	TIN	.874	.661	1.016	1.268		TRAY
	15-97-8107	30070-10A1	GOLD	(22.20)	(16.80)	(25.80)	(32.20)		
12	15-97-8122	30070-12A3	TIN	1.039	.827	1.181	1.433		
	15-97-8127	30070-12A1	GOLD	(26.40)	(21.00)	(30.00)	(36.40)		
16	15-97-8162	30070-16A3	TIN	1.370	1.157	1.512	1.764		
	15-97-8167	30070-16A1	GOLD	(34.80)	(29.40)	(38.40)	(44.80)		



RECOMMENDED HOLE LAYOUT FOR .070/(1.78) MAX. P.C. BOARD
VIEWED FROM COMPONENT SIDE OF BOARD

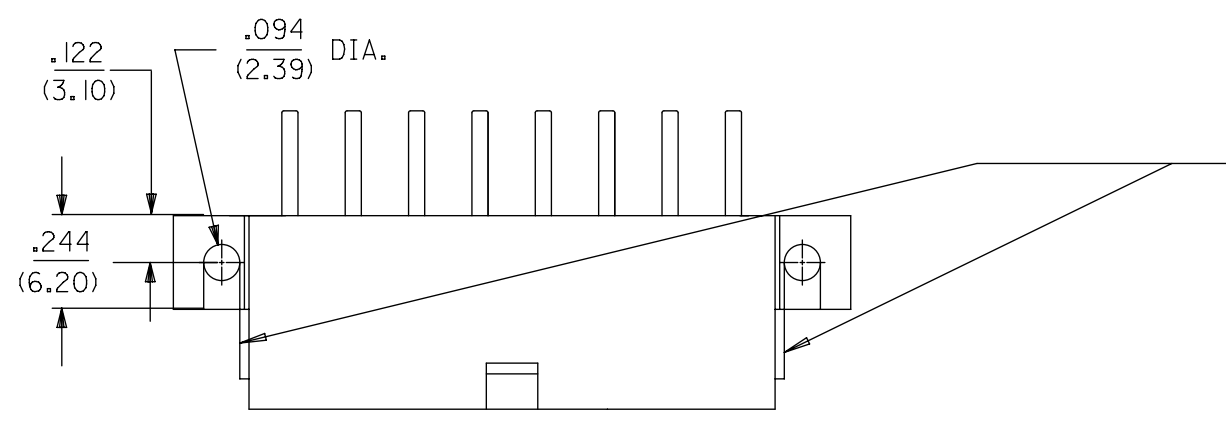


SEE DETAIL 1



APPLIES TO ALL
CIRCUIT SIZES
BOTH PEGGED
AND FLANGED

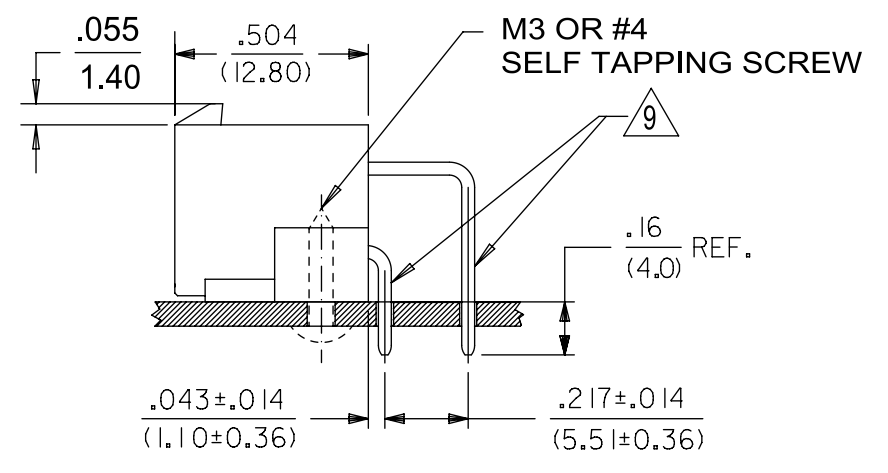
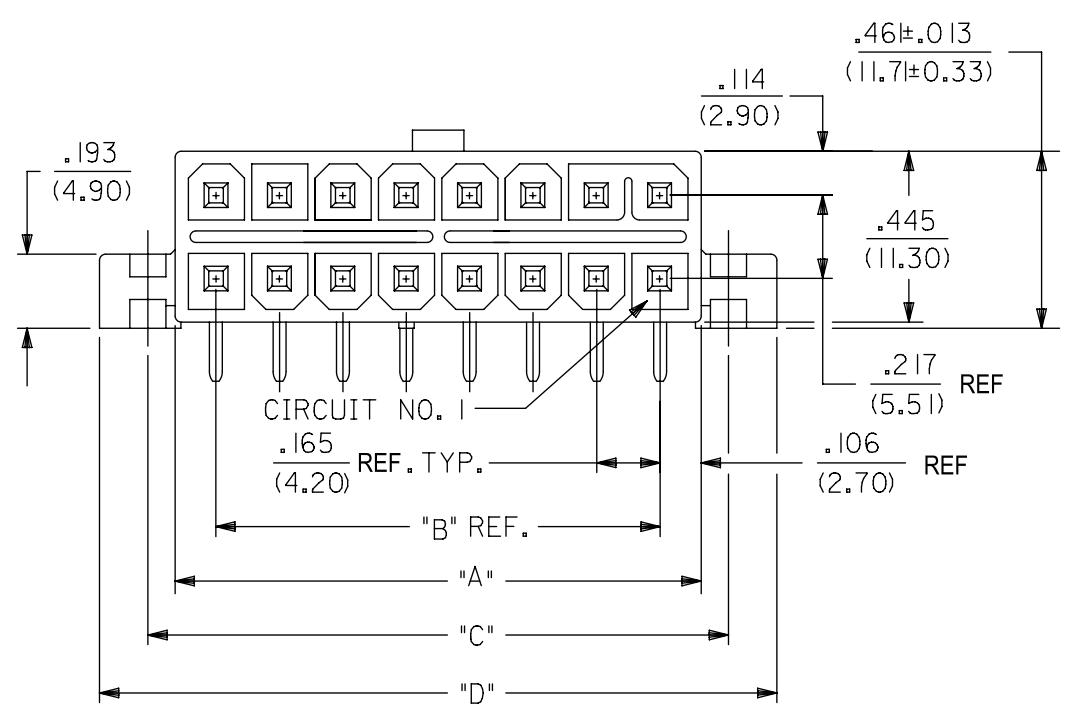
4 PLACES
DETAIL 1
SCALE 4:1



THIS FEATURE IS NOT PRESENT ON
12 AND 16 CIRCUIT PARTS.

OPTION 2 FLANGE MOUNT

SEE SHEET 1 FOR PEG MOUNT



FINISHED PART LEGEND

BASE NUMBER 30070 - * * * *

CIRCUIT SIZE

PCB MOUNTING & COLOR
"B" OR "1" = PEG (SEE SHEET 1)
"A" = FLANGE COLOR = BLACK
"3" = PEG (SEE SHEET 1)

PLATING (SEE NOTE 2)

THIS DRAWING CONTAINS INFORMATION THAT IS PROPRIETARY TO MOLEX ELECTRONIC TECHNOLOGIES, LLC AND SHOULD NOT BE USED WITHOUT WRITTEN PERMISSION										
SYMBOLS		DIMENSION UNITS		SCALE		CURRENT REV / DESC: OBS P/N'S				
∇ = 0	∇ = 0	IN/MM	2:1	EC NO: 600110						molex
∇ = 0	∇ = 0	GENERAL TOLERANCES (UNLESS SPECIFIED)		DRWN: AZAHIROVIC 2018/04/04						
∇ = 0	∇ = 0	MM	INCH	CHK'D: JBELL 2018/04/06						
∇ = 0	∇ = 0	4 PLACES ±	±	APPR: FSMITH 2018/04/10						
∇ = 0	∇ = 0	3 PLACES ±	± 0.01	INITIAL REVISION:						
∇ = 0	∇ = 0	2 PLACES ±	± 0.25 ± 0.014	DRWN: JDFOX 2015/04/10						
∇ = 0	∇ = 0	1 PLACE ±	± 0.36 ±	APPR: FSMITH 2015/04/10						
∇ = 0	∇ = 0	0 PLACES ±	±	ANGULAR TOL ± 0.5 °		THIRD ANGLE PROJECTION		DRAWING SERIES		
∇ = 0	∇ = 0	DRAFT WHERE APPLICABLE MUST REMAIN WITHIN DIMENSIONS		C-SIZE		30070		MATERIAL NUMBER CUSTOMER SHEET NUMBER		