

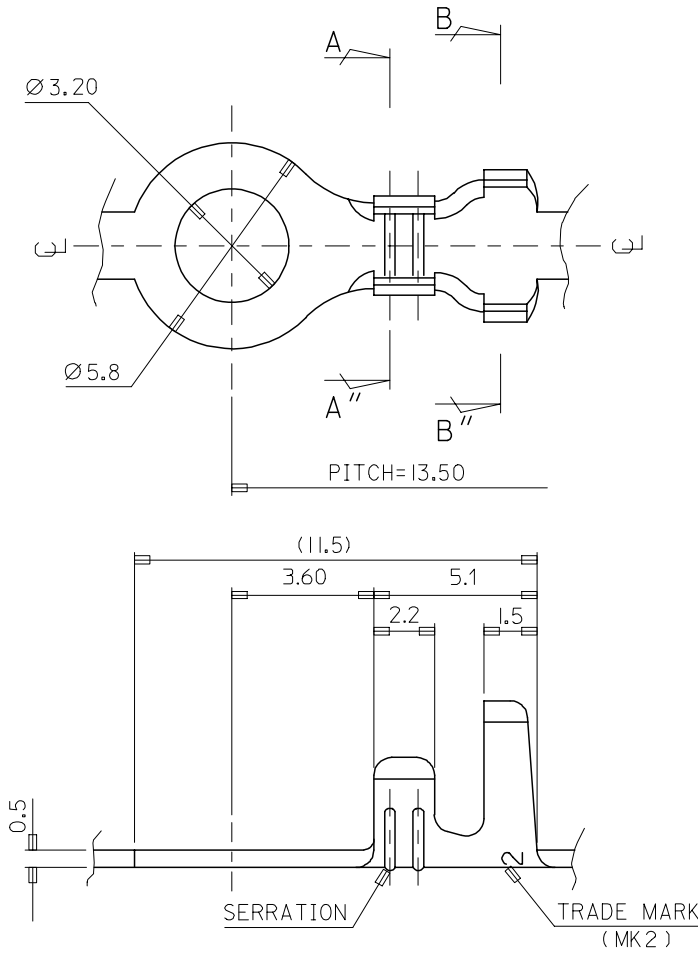
DWG. NO.  
SD-35750-005

SIMILAR ITEM

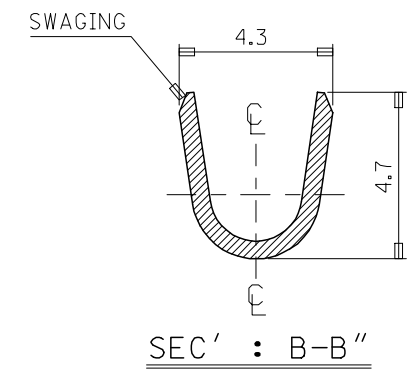
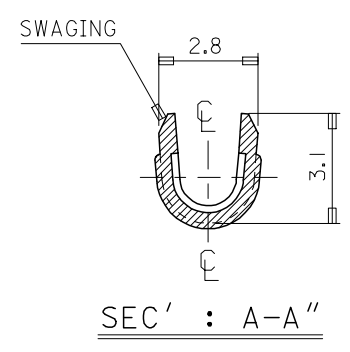
PROJECT NO.

B

DO NOT SCALE DRAWING  
DIMENSION IN METRIC



- NOTES
1. MATERIAL : BRASS, 0.5mm THICKNESS
  2. FINISH : 35750-0500 : UNPLATED  
35750-0510 : POST PLATED TIN  
35750-0560 : POST PLATED TIN (LEAD FREE)
  3. RECOMMENDED LENGTH OF WIRE STRIP IS 2.9-3.4mm.
  4. APPLICABLE WIRE RANGE : AWG#20 - #16



REVISED (REDRAWN) ECN NO. KOR 2006-0109 DRWN: J.B.JIN 06/03/06 CHK: W.Y.YANG APPR: S.H.CHOI	DESCRIPTION	QUALITY SYMBOLS	GENERAL TOLERANCES: (UNLESS SPECIFIED)		SCALE 7/1	DESIGN UNITS <input checked="" type="checkbox"/> mm <input type="checkbox"/> INCH	<input checked="" type="checkbox"/> THIRD ANGLE <input type="checkbox"/> PROJECTION	DIMENSIONS: <input type="checkbox"/> mm <input type="checkbox"/> INCH <input checked="" type="checkbox"/> mm ONLY	SHT	REV
		MAJOR ▲ CRITICAL ▽	mm	INCH	DRAWN BY & DATE J.S.KANG 98/01/09	TITLE: Ø 3.2 RING TERMINAL(132)				
B	REV		4 PLACES	±0.	±-	CHECKED BY & DATE B.K.CHOI 98/01/12	MOLEX INCORPORATED			
			3 PLACES	±0.	±-	APPROVED BY & DATE B.K.CHOI 98/01/12				
			2 PLACES	±0.15	±-	CAD FILENAME e7500500.dgn	MATERIAL NO. SEE NOTES	DRAWING NO. SD-35750-005	SHEET NO. 1 OF 1	SIZE B
			1 PLACE	±0.2	±-	THIS DRAWING CONTAINS INFORMATION THAT IS PROPRIETARY TO MOLEX INCORPORATED AND SHOULD NOT BE USED WITHOUT WRITTEN PERMISSION.				
			ANGULAR: ± 1°			KOREA			MX-A3	
			DRAFT WHERE APPLICABLE MUST REMAIN WITHIN DIMENSIONS							

F

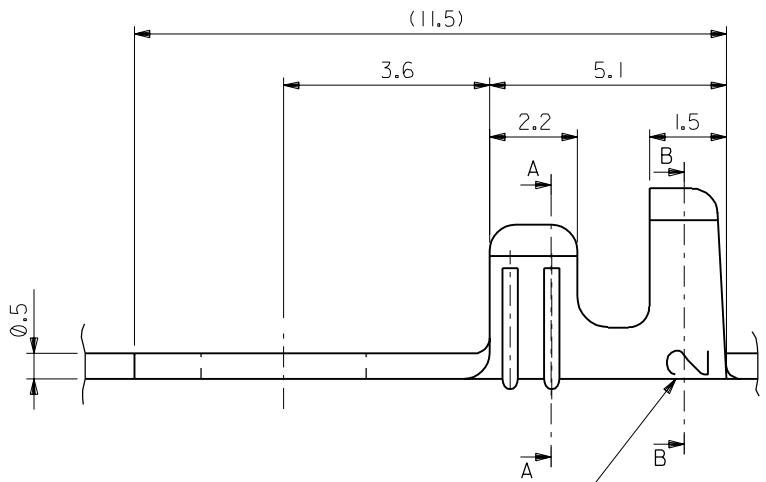
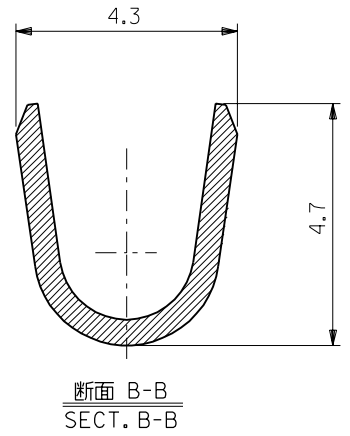
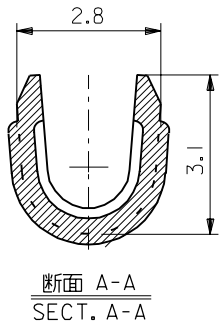
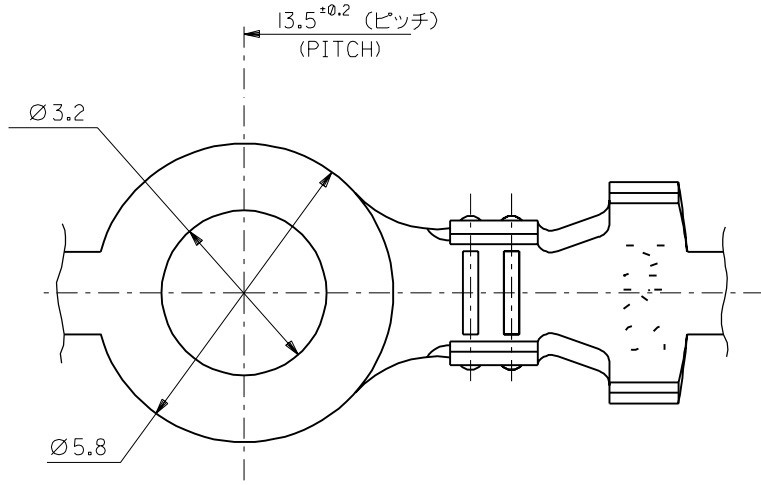
E

D

C

B

A



トレードマーク (MK2)  
TRADE MARK (MK2)

注記  
NOTES

- 1 一般公差 : ±0.3  
GENERAL TOLERANCES : ±0.3
  - 2 材料 : 黄銅 , 厚さ 0.5mm  
MATERIAL : BRASS , 0.5mm THICKNESS
  - 3 製品番号  
ENG.NO.
- | 製品番号<br>ENG. NO. | メッキ<br>PLATING            | 梱包数<br>QUANTITY |
|------------------|---------------------------|-----------------|
| 35750-0500       | メッキ無し<br>NONE             | 10000/REEL      |
| 35750-0510       | 錫メッキ<br>TIN PLATING       |                 |
| 35750-0540       | 半田メッキ<br>TIN-LEAD PLATING |                 |
- 4 推奨ストリップ長 : 2.9-3.4mm.  
RECOMMENDED LENGTH OF WIRE STRIP : 2.9-3.4mm.

材料 MATERIAL	注記参照 SEE NOTES
仕上げ FINISH	注記参照 SEE NOTE
適用電線範囲 WIRE RANGE	AWG:#20-#16 0.5-1.38mm <sup>2</sup>
被覆外径 INS. RANGE	—
DRAWN BY '97/2/26 S.MATSUZAKI	CHK'D BY '98/1/19 S.KUNISHI
APP'D BY '98/1/19 M.FUKUSHIMA	尺 度 SCALE —

MOLEX-JAPAN CO.,LTD. 日本モレックス株式会社	
REVISE ONLY ON CAD SYSTEM	
TITLE 名称 Ø 3.2 RING TERMINAL	
DWG. NO. SD-35750-05*0	REV D

角度 ANGLE	±1°
30 以上 OVER	±0.3
10 以上 OVER 30 未満 UNDER	±0.25
10 未満 UNDER	±0.2
一般公差 GENERAL TOLERANCES	

D	変 更 REVISED	(JC80582)	Y.K S.K	'98/1/19
C	新 規 作 成 RELEASED	(JC70772)	S.M Y.M	'97/2/26
記号 LTR	変 更 内 容 REVISION RECORD	DR. CHK.	日 付 DATE	APP'D BY M.FUKUSHIMA

:MM DIMENSIONS IN METRIC DO NOT SCALE DRAWING