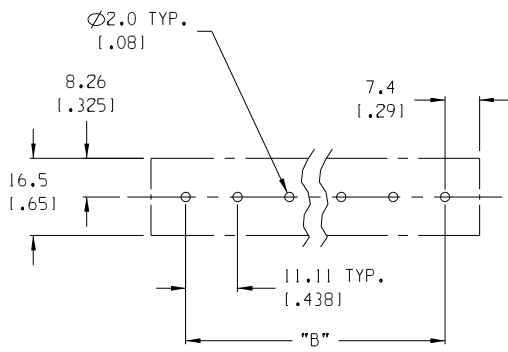
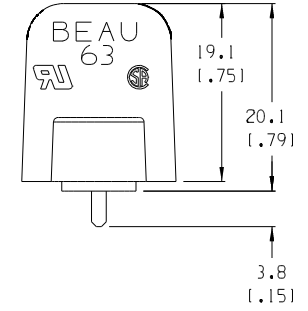
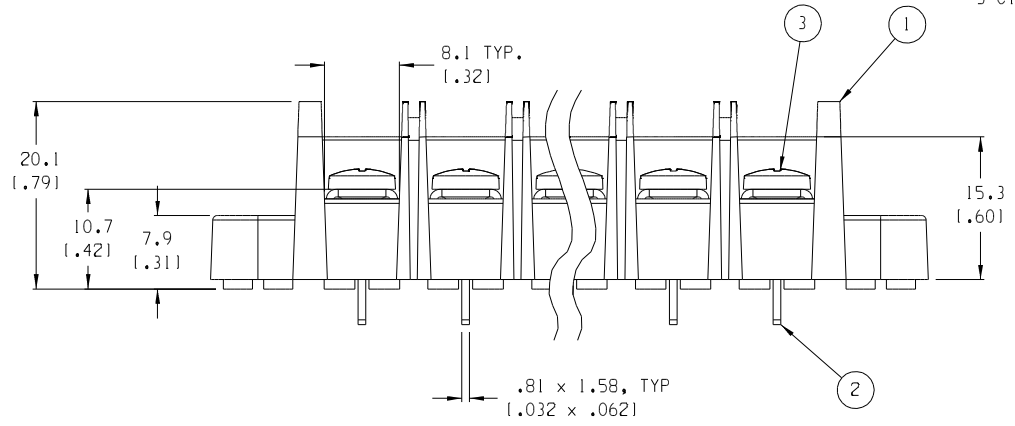


AUX. VIEW
SCALE 1:1
5 CIRCUIT SHOWN



RECOMMENDED PTH PATTERN
SCALE 1:1



- NOTES:
1. MATERIAL: SEE TABLE
 2. FINISHES: SEE TABLE
 3. PRODUCT SPECIFICATION: NOT REQUIRED
 4. PACKAGING: NOT REQUIRED
 5. MATES WITH: NONE
 6. "XX" REFERS TO QTY. OF CIRCUITS

4	XX	SCREW, #6-32, PHIL-SLOT, W/SQ. WASHER	STEEL	ZN, CLEAR CHROMATE
3	XX	SCREW, #6-32, PHIL-SLOT	STEEL	ZN, CLEAR CHROMATE
2	XX	TERMINAL, PC STYLE	BRASS	TIN PLATED
1	1	INSULATOR	THERMOPLASTIC	BLACK
ITEM	QTY.	DESCRIPTION	MATERIAL	FINISH

A	EC NO.	RELEASED
	DRWN:	CLY
REV	CHK'D	
	APPR:	
DESCRIPTION	MAJOR	
	CRITICAL	
	SPEC	

GENERAL TOLERANCES: (UNLESS SPECIFIED)	
mm	INCH
4 PLACES	±.0015
3 PLACES	±.038 ±.005
2 PLACES	±.13 ±.01
1 PLACE	±.3
ANGULAR: ±2°	
DRAFT WHERE APPLICABLE MUST REMAIN WITHIN DIMENSIONS	

SCALE 2:1	DESIGN UNITS <input type="checkbox"/> mm <input checked="" type="checkbox"/> INCH
DRAWN BY & DATE C. YORK 08-16-04	
CHECKED BY & DATE	
APPROVED BY & DATE	
CAD FILENAME 63R5XX	

THIRD ANGLE PROJECTION		PROJECT NO. - - -	
DIMENSIONS: <input checked="" type="checkbox"/> mm <input type="checkbox"/> INCH <input type="checkbox"/> mm ONLY		SHT	REV
TITLE: SR BTS, CLOSED SIDE, 600V, ASSEMBLY		REVISE ON CAD ONLY	
MOLEX INCORPORATED			
MATERIAL NO. SEE SHT. 2	DRAWING NO. SD-38634-002	SHEET NO. 1 OF 2	
THIS DRAWING CONTAINS INFORMATION THAT IS PROPRIETARY TO MOLEX INCORPORATED AND SHOULD NOT BE USED WITHOUT WRITTEN PERMISSION.			SIZE B

NO. OF CIRC.	"A"	"B"	"C"	"D"	MATERIAL NO. (STD.)	MATERIAL NO. (50)
2	43.4 11.711	11.11 1.4381	25.9 11.021	33.3 11.311		386345002
3	54.5 12.151	22.23 1.8751	37.0 11.461	44.5 11.751		
4	65.7 12.591	33.34 1.1313	48.1 11.901	55.6 12.191		386345004
5	76.8 13.021	44.45 1.17501	59.2 12.331	66.7 12.631		
6	87.9 13.461	55.56 1.21881	70.4 12.771	77.8 13.061	386344206	386345006
7	99.0 13.901	66.68 1.26251	81.5 13.211	88.9 13.501	386344207	386345007
8	110.1 14.341	77.79 1.30631	92.6 13.651	100.0 13.941		
9	121.2 14.771	88.90 1.35001	103.7 14.081	111.1 14.381		
10	132.3 15.211	100.01 1.39381	114.8 14.521	122.2 14.811		
11	143.4 15.651	111.13 1.43751	125.9 14.961	133.4 15.251		
12	154.6 16.091	122.24 1.48131	137.0 15.401	144.5 15.691		
13	165.7 16.521	133.35 1.52501	148.1 15.831	155.6 16.131		
14	176.8 16.961	144.46 1.56881	159.3 16.271	166.7 16.561		
15	187.9 17.401	155.58 1.61251	170.4 16.711	177.8 17.001		386345015
16	199.0 17.841	166.69 1.65631	181.5 17.151	188.9 17.441		

PROJECT NO. -	-	-
DIMENSIONS:	SHT	REV
<input checked="" type="checkbox"/> mm <input type="checkbox"/> INCH	<input type="checkbox"/> mm <input type="checkbox"/> INCH	<input type="checkbox"/> mm ONLY REVISE ON CAD ONLY

EC NO. SEE SHEET 1 DRWN: CH-K1 APPR:	QUALITY SYMBOLS MAJOR CRITICAL SPC	GENERAL TOLERANCES: (UNLESS SPECIFIED) mm INCH 4 PLACES ±.0015 3 PLACES ±.038 ±.005 2 PLACES ±.13 ±.01 1 PLACE ±.3	SCALE - DESIGN UNITS <input type="checkbox"/> mm <input checked="" type="checkbox"/> INCH THIRD ANGLE PROJECTION	DRAWN BY & DATE C. YORK 08-16-04 CHECKED BY & DATE APPROVED BY & DATE	TITLE: SR BTS, CLOSED SIDE, 600V, ASSEMBLY MOLEX INCORPORATED	
	REV	ANGULAR: ±2° DRAFT WHERE APPLICABLE MUST REMAIN WITHIN DIMENSIONS	CAD FILENAME 63R5XX	MATERIAL NO. SEE CHART	DRAWING NO. SD-38634-002	SHEET NO. 2 OF 2
	THIS DRAWING CONTAINS INFORMATION THAT IS PROPRIETARY TO MOLEX INCORPORATED AND SHOULD NOT BE USED WITHOUT WRITTEN PERMISSION.					SIZE B

