

PLEASE CHECK WWW.MOLEX.COM FOR LATEST PART INFORMATION

Part Number: [0788090002](#)

Status: **Active**

Overview: Serial Attached SCSI (SAS) Connectors

Description: 1.27mm Signal Pitch, 0.80mm Signal Pitch, 1.27mm Power Pitch SAS-3/PCIe-3 Receptacle, Right-Angle, Surface Mount, with Forklock, 0.93mm Height, 2.10mm Peg Length, 3.00mm PCB Thickness, 68 Circuits, Tape and Reel, Lead-Free

Documents:

[3D Model](#)

[3D Model \(PDF\)](#)

[Drawing \(PDF\)](#)

[Product Specification PS-78809-001-001 \(PDF\)](#)

[Application Specification AS-78809-001-001 \(PDF\)](#)

[Packaging Specification PK-78809-001-000 \(PDF\)](#)

[RoHS Certificate of Compliance \(PDF\)](#)

General

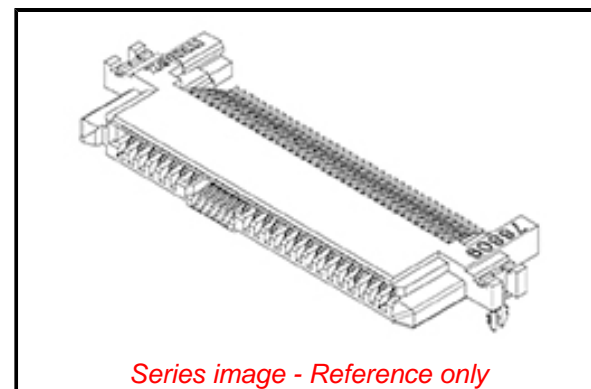
Product Family	I/O Connectors
Series	78809
Application	Board-to-Board
Comments	Without Cap
Component Type	Receptacle
Overview	<u>Serial Attached SCSI (SAS) Connectors</u>
Product Name	SAS-3/PCIe-3, U.2 (SFF-8639)
Type	N/A
UPC	889056919425

Physical

Circuits (Loaded)	68
Circuits Detail	Signal 53, Power 15
Color - Resin	Black
Durability (mating cycles max)	500
Gender	Female
Keying to Mating Part	Yes
Lock to Mating Part	None
Material - Metal	Copper Alloy
Material - Plating Mating	Gold
Material - Plating Termination	Tin
Material - Resin	Liquid Crystal Polymer
Net Weight	2.354/g
Number of Rows	2
Orientation	Right Angle
PCB Locator	Yes
PCB Retention	Yes
PCB Thickness - Recommended	3.00mm
Packaging Type	Embossed Tape on Reel
Panel Mount	No
Pitch - Mating Interface	0.80mm, 1.27mm
Pitch - Termination Interface	0.80mm, 1.27mm
Plating min - Mating	0.762µm
Plating min - Termination	2.540µm
Polarized to Mating Part	Yes
Polarized to PCB	Yes
Surface Mount Compatible (SMC)	Yes
Temperature Range - Operating	0° to +55°C
Termination Interface: Style	Surface Mount

Electrical

Current - Maximum per Contact	1.5A
Voltage - Maximum	30V



Series image - Reference only

EU ELV

Not Relevant

EU RoHS

Compliant

REACH SVHC

Not Contained Per -
D(2021)4569-DC (8
July 2021)

Halogen-Free

Status

Low-Halogen

For more information, please visit [Contact US](#)

China ROHS

ELV

RoHS Phthalates

China RoHS

Green Image

Not Relevant

Not Contained

Search Parts in this Series

[78809 Series](#)

Mates With

U.2 (SFF-8639) Plugs|SFF-8482 and
SFF-8680 Plugs|SAS / SATA Plugs

Solder Process Data

Duration at Max. Process Temperature (seconds)	010
Lead-free Process Capability	REFLOW
Max. Cycles at Max. Process Temperature	001
Process Temperature max. C	260

Material Info**Reference - Drawing Numbers**

Application Specification	AS-78809-001-001
Packaging Specification	PK-78809-001-000
Product Specification	PS-78809-001-001
Sales Drawing	788090002-000

This document was generated on 08/30/2021

PLEASE CHECK WWW.MOLEX.COM FOR LATEST PART INFORMATION