

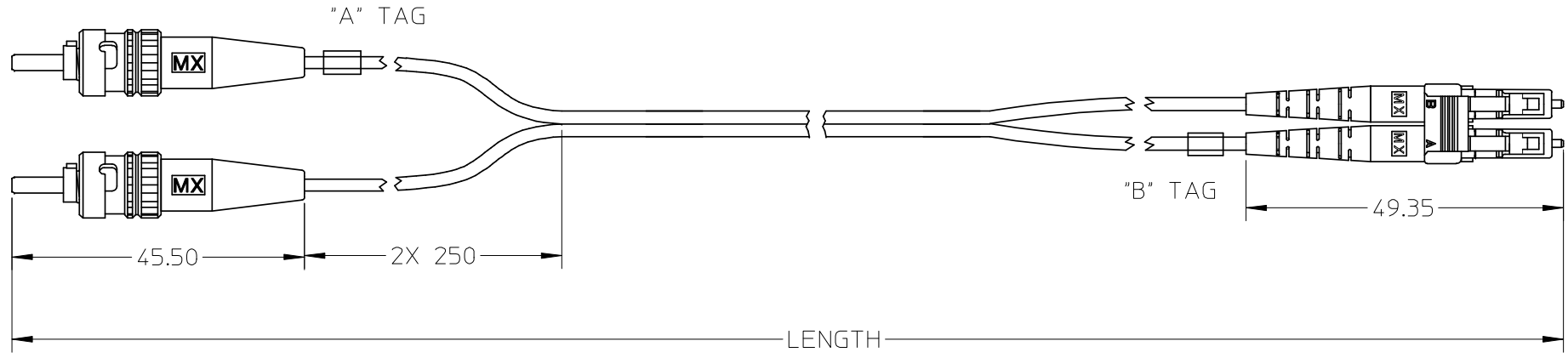
E

D

C

B

A



885262204	ST-LC DUP MM 62.5/125 2MM 10M	10000(+200/-0)
885262203	ST-LC DUP MM 62.5/125 2MM 5M	5000(+200/-0)
885262202	ST-LC DUP MM 62.5/125 2MM 3M	3000(+200/-0)
885262201	ST-LC DUP MM 62.5/125 2MM 2M	2000(+200/-0)
885262200	ST-LC DUP MM 62.5/125 2MM 1M	1000(+100/-0)
MX P/N	DESCRIPTION	LENGTH

NOTES:
 1. DUST CAPS ARE NOT SHOWN
 2. PER CHANNEL @ 850nm
 IL <= 0.5dB

ENTER DESCRIPTION
 EC NO: DG2009-0023
 DRWN: XPCHEN
 CHKD:
 APPR: JOWANG

2008/08/04
 2008/08/04
 2008/08/04

DESCRIPTION
 REV

QUALITY SYMBOLS

GENERAL TOLERANCES (UNLESS SPECIFIED)

	mm	INCH
4 PLACES	± ---	± ---
3 PLACES	± ---	± ---
2 PLACES	± ---	± ---
1 PLACE	± ---	± ---
ANGULAR ± ---°		

DRAFT WHERE APPLICABLE
 MUST REMAIN
 WITHIN DIMENSIONS

DIMENSION STYLE
MM ONLY

DRAWN BY: XP
 DATE: 2008/07/25

CHECKED BY: LISA
 DATE: 2008/07/25

APPROVED BY: JOHNNY
 DATE: 2008/07/25

MATERIAL NO.
SEE TABLE

SIZE
A 4

SCALE: ---
 DESIGN UNITS: METRIC

THIRD ANGLE PROJECTION

TITLE: ST-LC DUP MM 62.5 2MM

MOLEX INCORPORATED

DOCUMENT NO.: SD-88526-018
 SHEET NO.: 1 OF 1

THIS DRAWING CONTAINS INFORMATION THAT IS PROPRIETARY TO MOLEX INCORPORATED AND SHOULD NOT BE USED WITHOUT WRITTEN PERMISSION