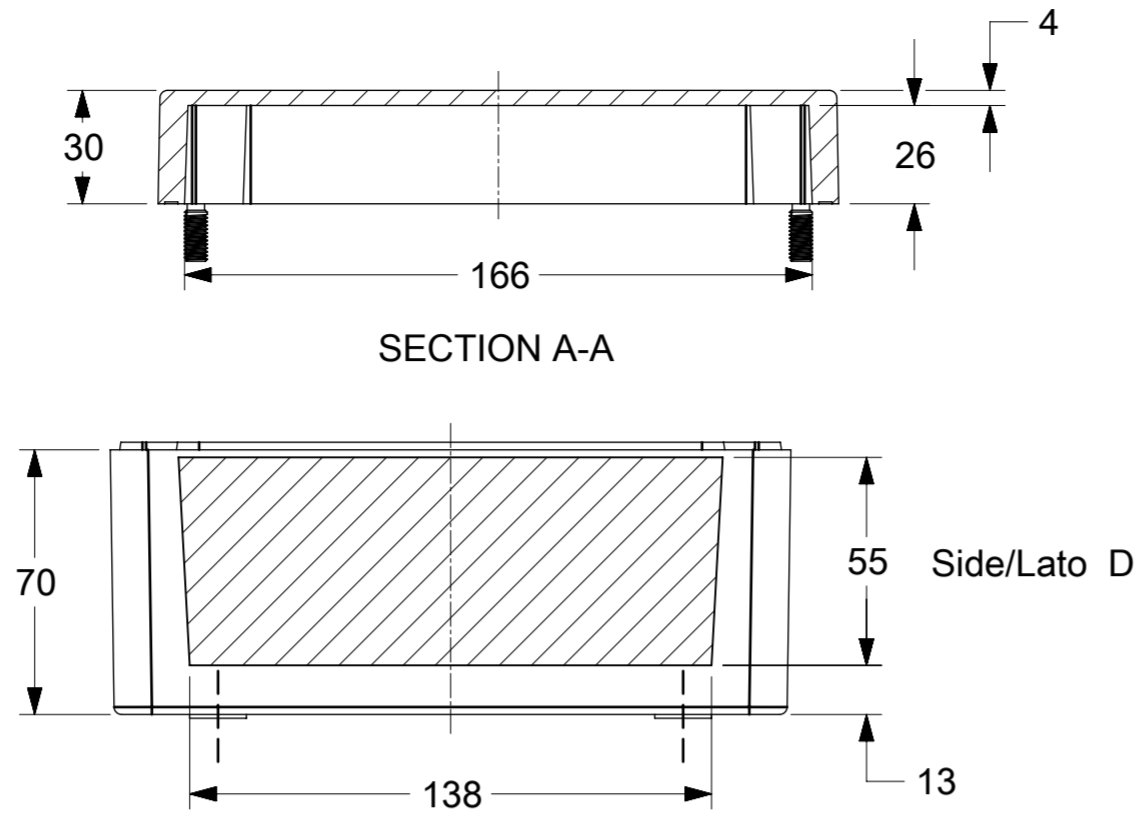
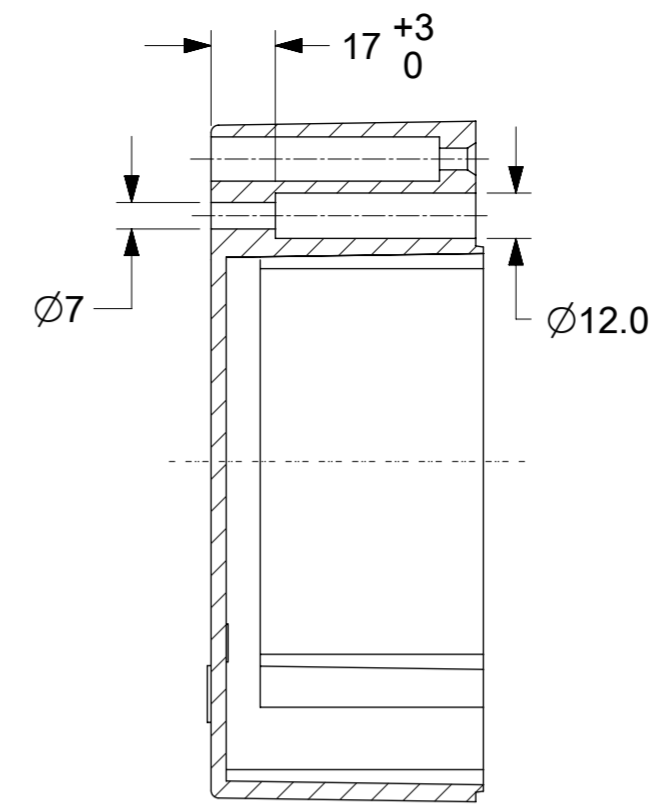


SECTION B-B

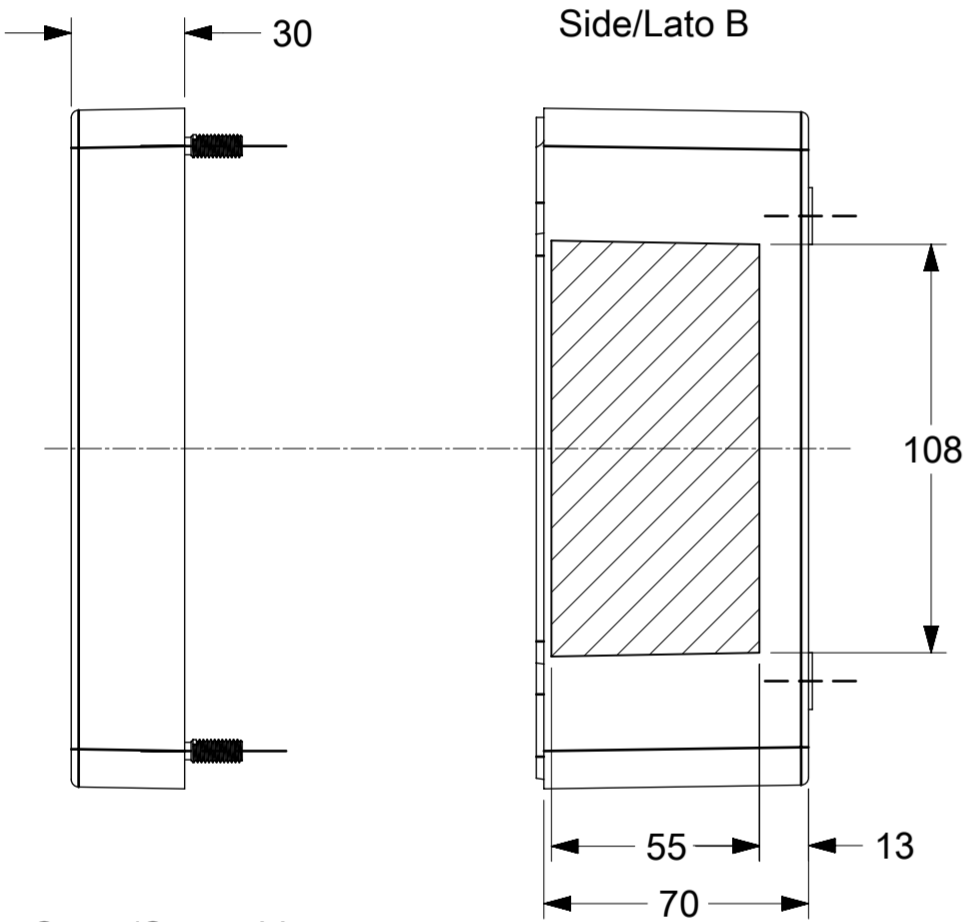
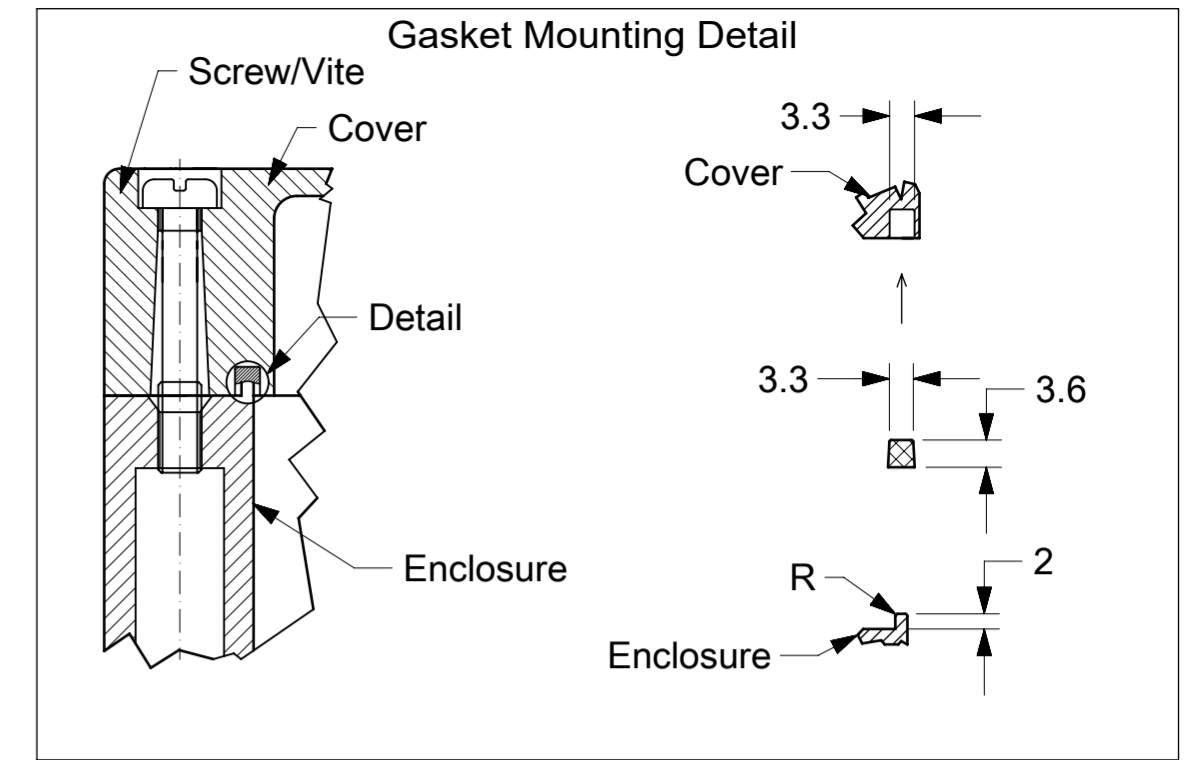


SECTION A-A

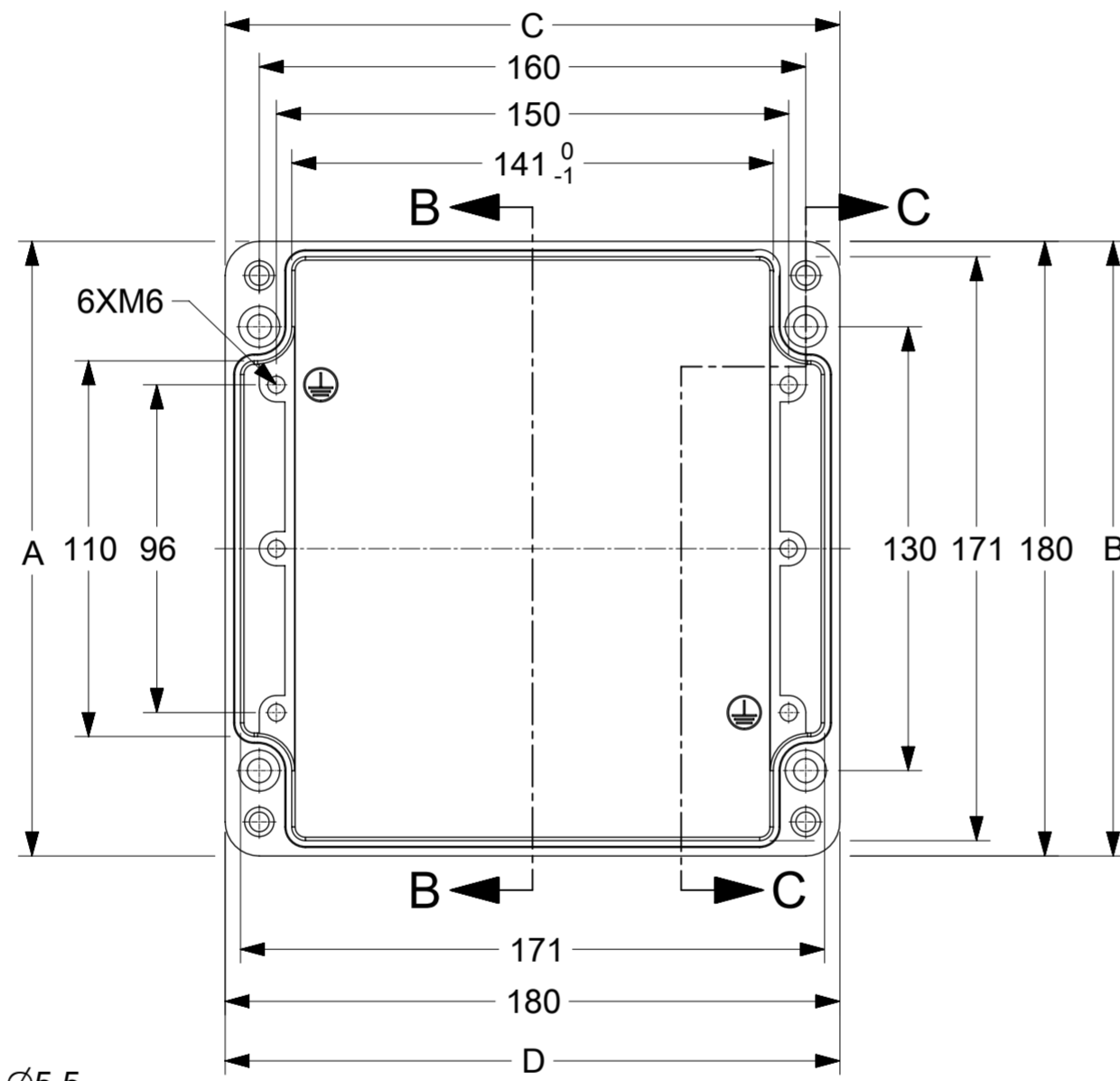
Side/Lato D



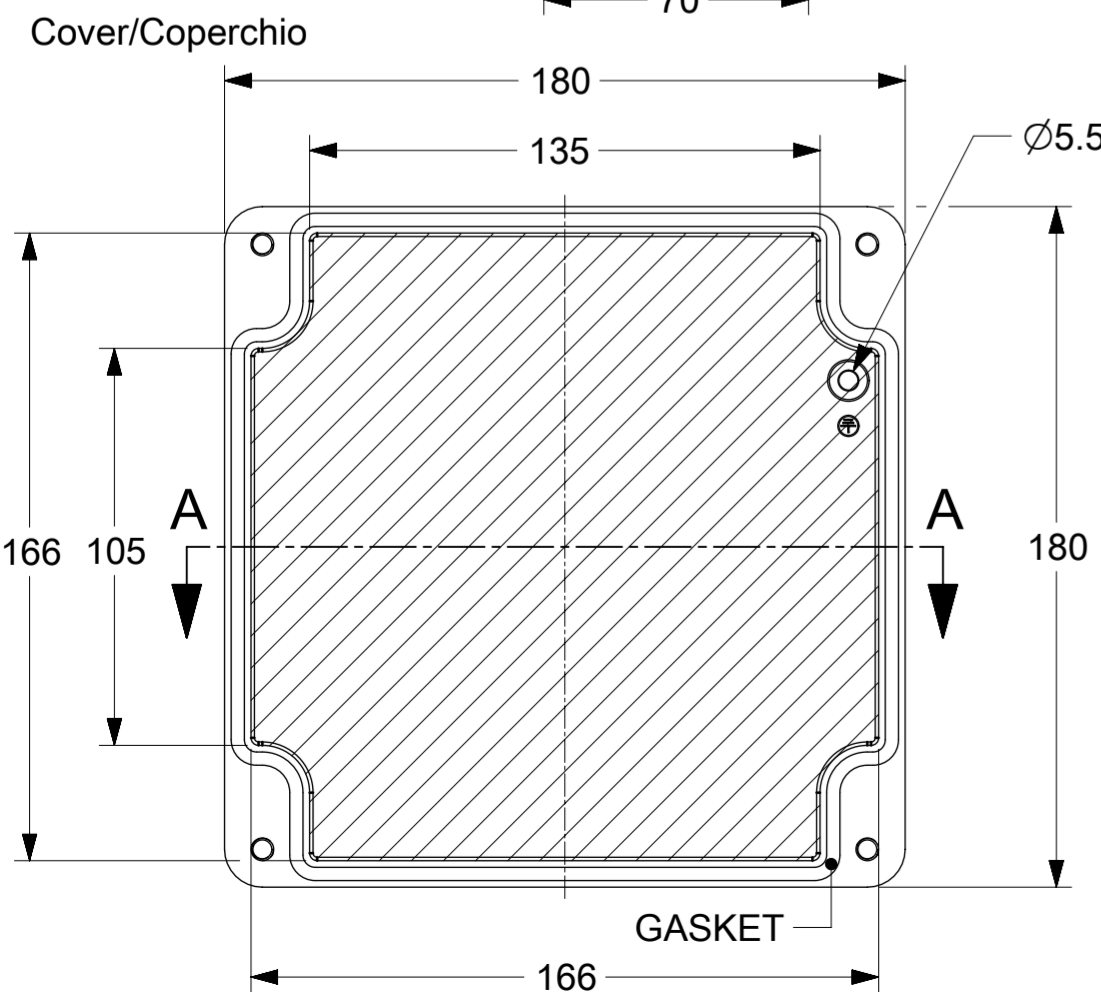
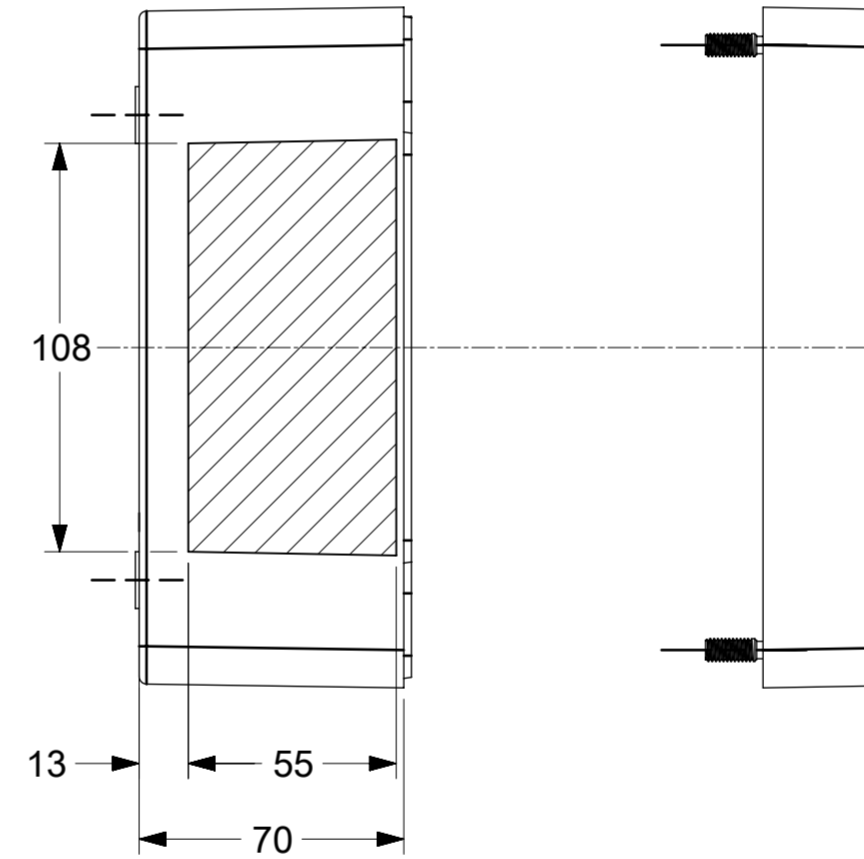
SECTION C-C



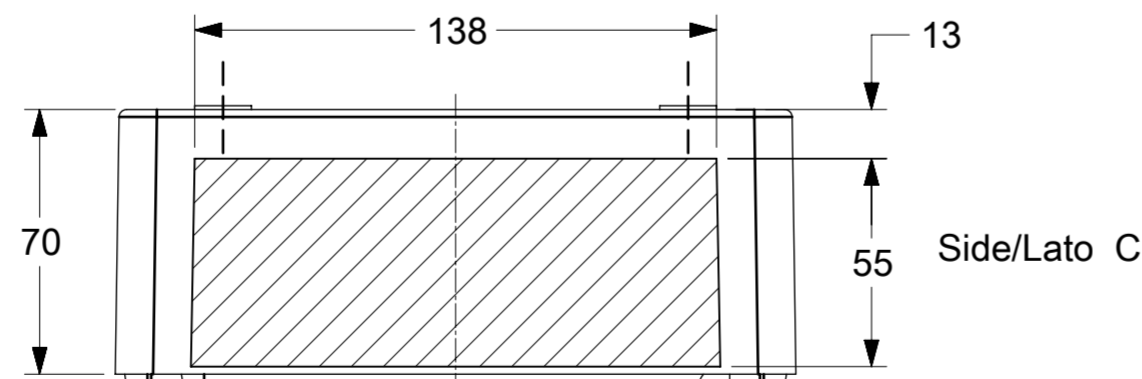
Side/Lato B



Side/Lato A



Cover/Coperchio



Side/Lato C

NOTE:
 SUITABLE AREAS FOR DRILLING AND THREADING OPERATIONS
 - ENCLOSURE SUPPLIED WITH No. 4 COMBI FIXING SCREW M6x35

SAP.No.	Eng.No.	COLOR
0936040133	8100.8030.0	GREY RAL7001
0936040178	8100.8130.0	LIGHT GREY RAL7035
0936040225	8100.8230.5	NOT PAINTED
0936040296	8100.8330.1	BLACK RAL9005

FUNCTIONAL SYMBOLS $\frac{F_A}{A} = 0$ $\frac{F_C}{C} = 0$ $\frac{F_P}{P} = 0$	THIS DRAWING CONTAINS INFORMATION THAT IS PROPRIETARY TO MOLEX ELECTRONIC TECHNOLOGIES, LLC AND SHOULD NOT BE USED WITHOUT WRITTEN PERMISSION		CURRENT REV DESC: FIRST RELEASE	
	DIMENSION UNITS	SCALE	EC NO: 707681	
	mm	1:2	DRWN: DMERONI	2021/01/19
	GENERAL TOLERANCES (UNLESS SPECIFIED)		CHK'D: DMERONI	2021/01/25
ANGULAR TOL $\pm 1.0^\circ$		APPR: RSILLER	2022/05/24	
4 PLACES \pm		INITIAL REVISION:		
3 PLACES \pm		DRWN: DMERONI	2021/01/19	
2 PLACES ± 0.1		APPR: RSILLER	2022/05/24	
1 PLACE ± 0.2		DOCUMENT NUMBER		
0 PLACES ± 0.3		936040133		
DRAFT WHERE APPLICABLE MUST REMAIN WITHIN DIMENSIONS		FIRST ANGLE PROJECTION	DRAWING	SERIES
			A2-SIZE	93604
		MATERIAL NUMBER	CUSTOMER	SHEET NUMBER
		SEE TABLE	GENERAL MARKET	1 OF 1

molex

ALUMINIUM BOX 180X180X101 SERIES

PRODUCT CUSTOMER DRAWING

DOCUMENT NUMBER: 936040133
 DOC TYPE: PSD
 DOC PART: 000
 REVISION: A