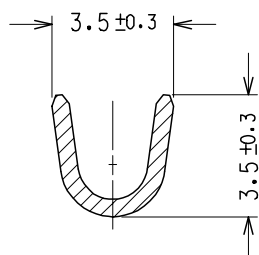
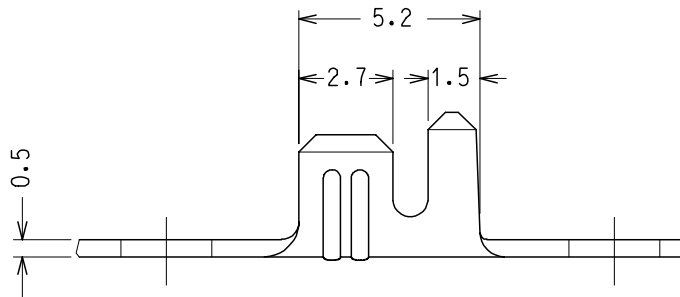
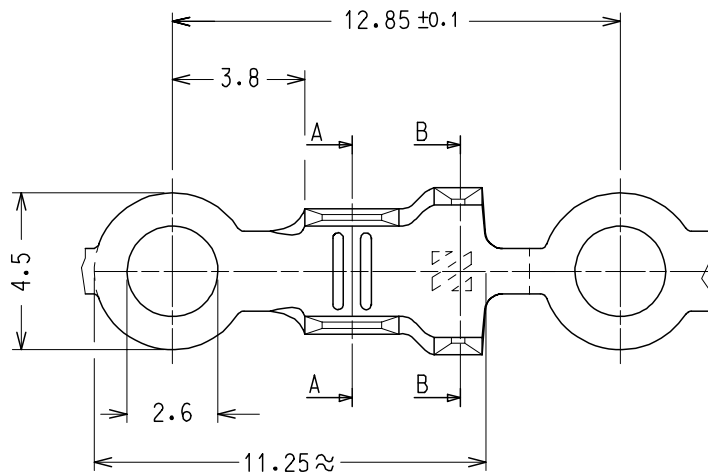


SEZ. B - B



SEZ. A - A



CODICE P/N	MATERIALE MATERIAL	FINITURA PLATING
94030-0301	OTTONE BRASS	GREGGIO PLAIN
94030-0300		STAGNATO TIN

S.P.Q. = 60000 PZ.

Std.Descr.: "RING TONGUE TERMINAL 1.0-2.5

EC NO: Z2005-0030 DRWN:FGOTTARD 2004/09/23 CHKD:RSANDANO 2004/09/23 APPR:GZUIN 2004/09/23	QUALITY SYMBOLS ▽=0 ◻=0	GENERAL TOLERANCES (UNLESS SPECIFIED)		DIMENSION STYLE	SCALE	DESIGN UNITS	<input checked="" type="checkbox"/> FIRST ANGLE PROJECTION	
			mm	INCH	MM ONLY	5:1		METRIC
		4 PLACES	± ---	± ---	DRAWN BY	DATE	TITLE	
		3 PLACES	± ---	± ---	FGOTTARD	1991/03/19	RING TONGUE TERMINAL WIRE RANGE 1.0 - 2.5 MMQ	
2 PLACES	± ---	± ---	CHECKED BY	DATE				
1 PLACE	± 0.1	± ---	APPROVED BY	DATE				
		ANGULAR ± 3 °		MPREVIAT	1991/03/19	MOLEX INCORPORATED		
DRAFT WHERE APPLICABLE MUST REMAIN WITHIN DIMENSIONS				MATERIAL NO.	DOCUMENT NO.	SHEET NO.		
				SEE CHART	SD-94030-056	1 OF 1		
				SIZE	THIS DRAWING CONTAINS INFORMATION THAT IS PROPRIETARY TO MOLEX INCORPORATED AND SHOULD NOT BE USED WITHOUT WRITTEN PERMISSION			
				A4				