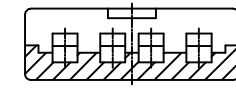
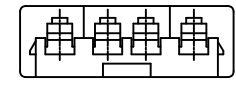
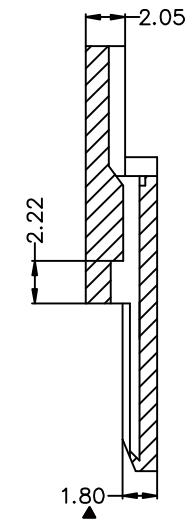
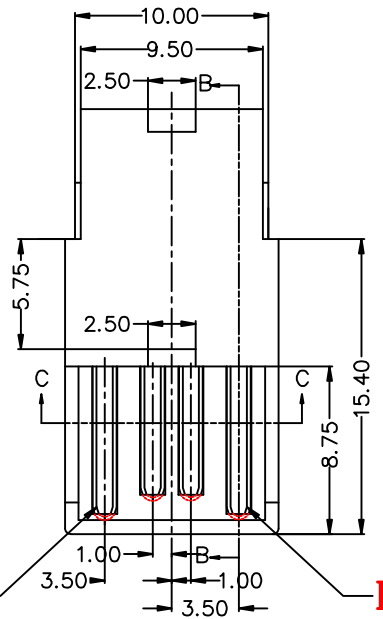


SEC A-A



SEC C-C



SEC B-B

Material:

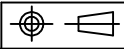
1. Housing: PBT+30% Glass, UL 94V-0
2. Terminal: Brass (C2680)

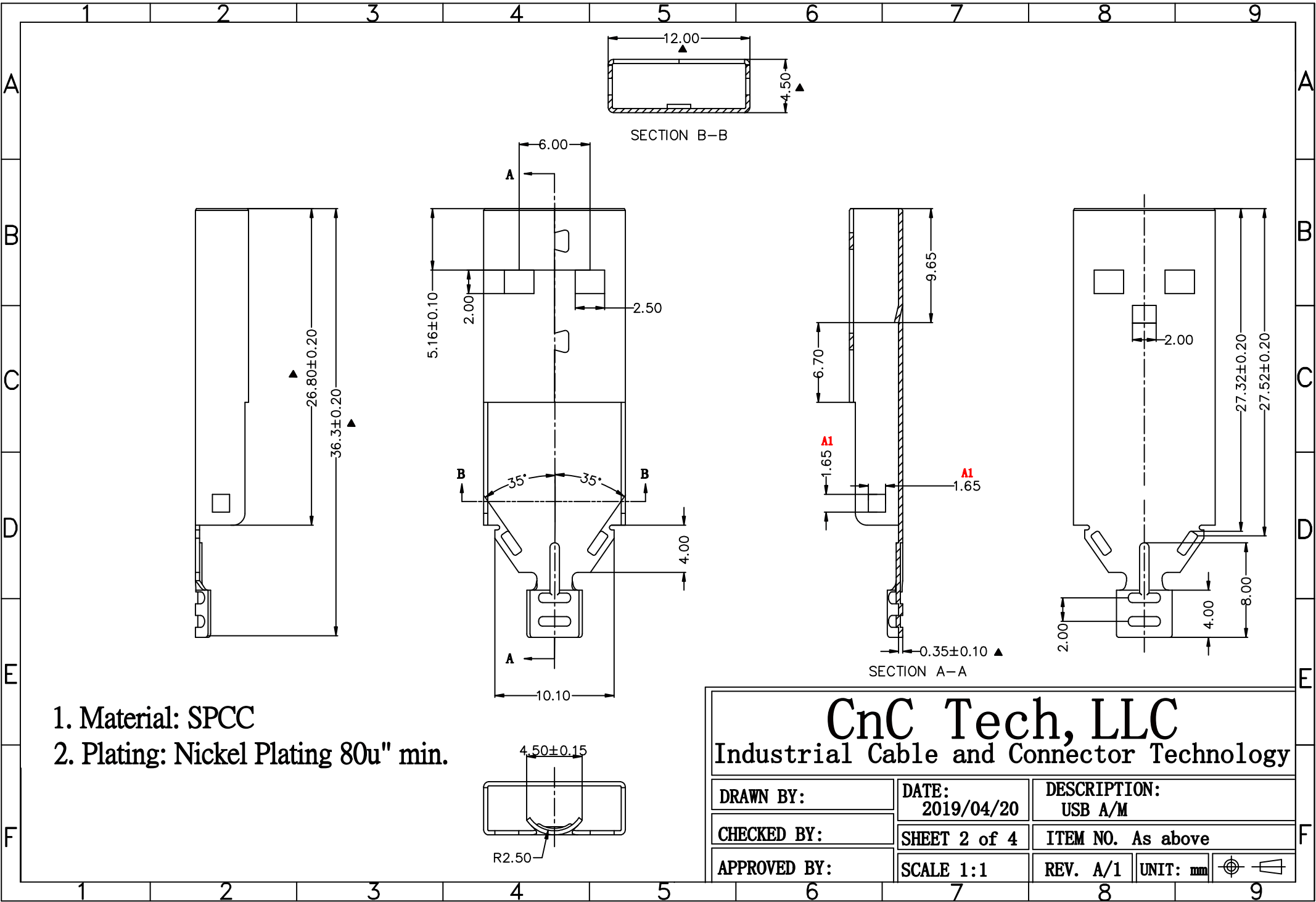
PART NUMBER	CONTENTS	DESCRIPTION	Pin Plating
1001-001-BE-KIT	1001-A-BE-01000	USB 1.1 CONNECTOR AND HOOD, ASSEMBLY A TYPE, BEIGE, 4 PCS PER BAG.	Gold Flash
	1001-A-01300		
1002-001-BE-KIT	1001-A-BE-01000	USB 2.0 CONNECTOR AND HOOD, ASSEMBLY A TYPE, BEIGE, 4 PCS PER BAG.	Gold 30u"
	1002-A-01300		
1001-001-BL-KIT	1001-A-BL-01000	USB 1.1 CONNECTOR AND HOOD, ASSEMBLY A TYPE, BEIGE, 4 PCS PER BAG.	Gold Flash
	1001-A-01300		
1002-001-BL-KIT	1001-A-BL-01000	USB 2.0 CONNECTOR AND HOOD, ASSEMBLY A TYPE, BEIGE, 4 PCS PER BAG.	Gold 30u"
	1002-A-01300		

CnC Tech, LLC

Industrial Cable and Connector Technology

DRAWN BY:	DATE: 2019/04/20	DESCRIPTION: USB A/M	
CHECKED BY:	SHEET 1 of 4	ITEM NO. As above	
APPROVED BY:	SCALE 1:1	REV. A/1	UNIT: mm





- 1. Material: SPCC
- 2. Plating: Nickel Plating 80u" min.

CnC Tech, LLC		
Industrial Cable and Connector Technology		
DRAWN BY:	DATE: 2019/04/20	DESCRIPTION: USB A/M
CHECKED BY:	SHEET 2 of 4	ITEM NO. As above
APPROVED BY:	SCALE 1:1	REV. A/1 UNIT: mm

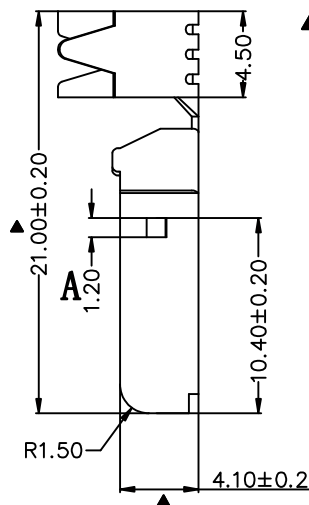
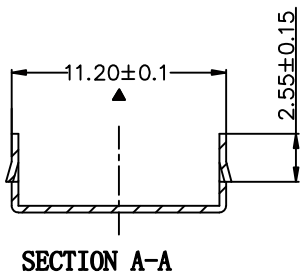
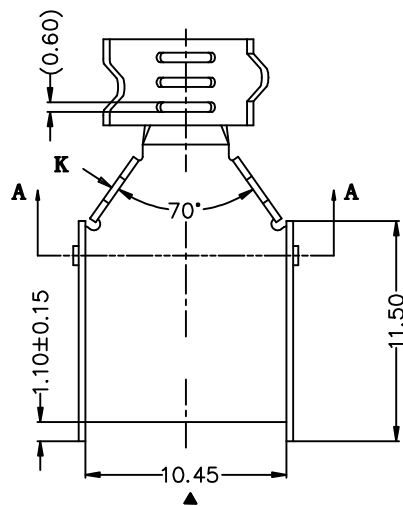
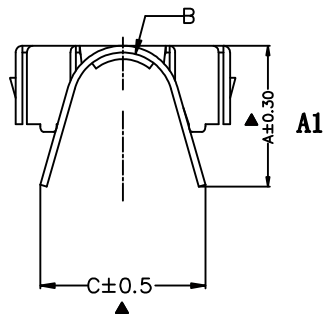


TABLE 0

POS.	A	B	C
OD: 4.2	6.15	R2.3	7.9
OD: 5.0	7.2	R2.6	8.9
OD: 6.0	7.00	R3.1	9.51
OD: 7.0	8.50	R3.5	10.55

1. Material: SPCC
2. Plating: Nickel Plating 80u" min.

CnC Tech, LLC

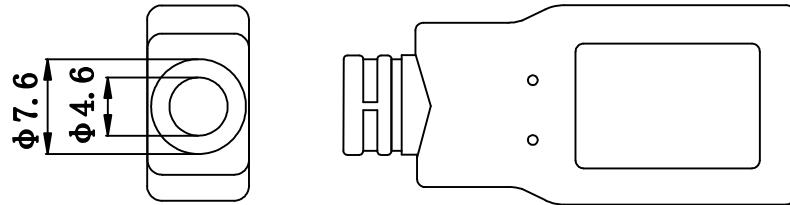
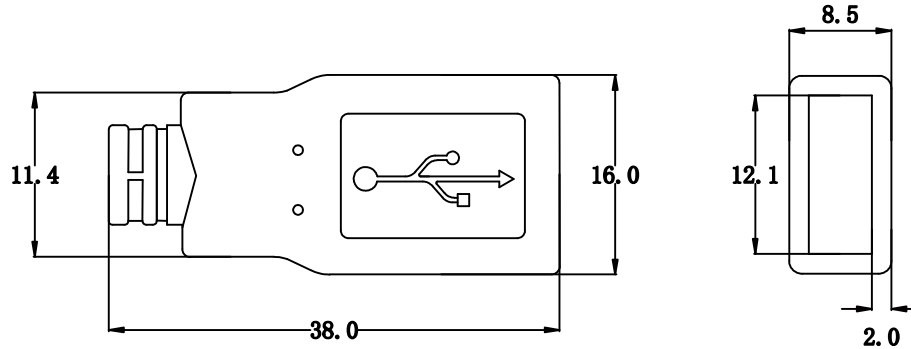
Industrial Cable and Connector Technology

DRAWN BY:	DATE: 2019/04/20	DESCRIPTION: USB A/M
CHECKED BY:	SHEET 3 of 4	ITEM NO. As above
APPROVED BY:	SCALE 1:1	REV. A/1 UNIT: mm

UNIT:MM

REVISION INFORMATION

Rev.	Rev. Date	Modified By	Brief Description
B/0	19-02-27	T0227B	NEW DRAWING
B/1	19-04-19	B0403B	Modified Size and Model



NO.	NAME	QTY	SPECIFICATION
④	PE BAG	1/200	CLEAR SIZE:300X400X0.05mm PRINT BLACK"MADE IN CHINA"+"200PCS"
③	PE BAG	1	CLEAR SIZE:60X80X0.05mm PRINT BLACK"MADE IN CHINA"+"1PC"
②	OUT JACKET	1	Mould: AMBT-1-2-1 (PVC 55P IV-29 / BLACK) WEIGHT: 4g
①	CONN	1set	USB A MALE PIN GOLD PLATING SHELL NICKEL INSULATION WHITE

CnC Tech, LLC
Industrial Cable and Connector Technology

DRAWN BY:	DATE: 2019/04/20	DESCRIPTION: USB A/M
CHECKED BY:	SHEET 4 of 4	ITEM NO. As above
APPROVED BY:	SCALE 1:1	REV. A/1 UNIT: mm