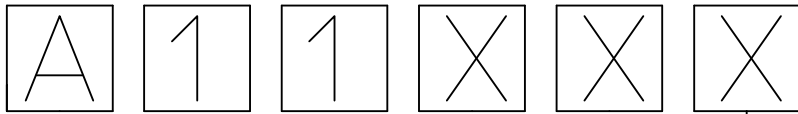


A11 - ADAPTOR FOR DIN B



INTERNAL CIRCUIT

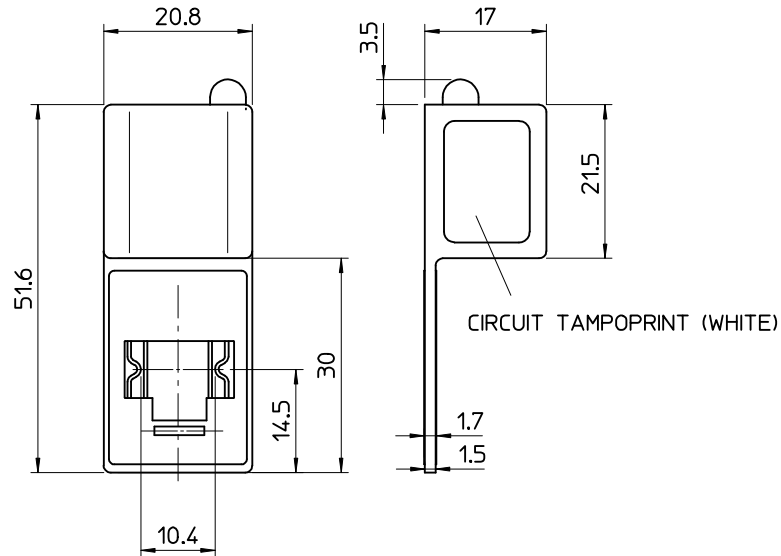
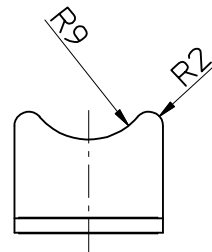
VOLTAGE AND LED COLOUR:

1= 12V	A= 12V	G= 12V
2= 24V	B= 24V	H= 24V
3= 48V	C= 48V	K= 48V
4= 115V	D= 115V	L= 115V
5= 230V	E= 230V	M= 230V

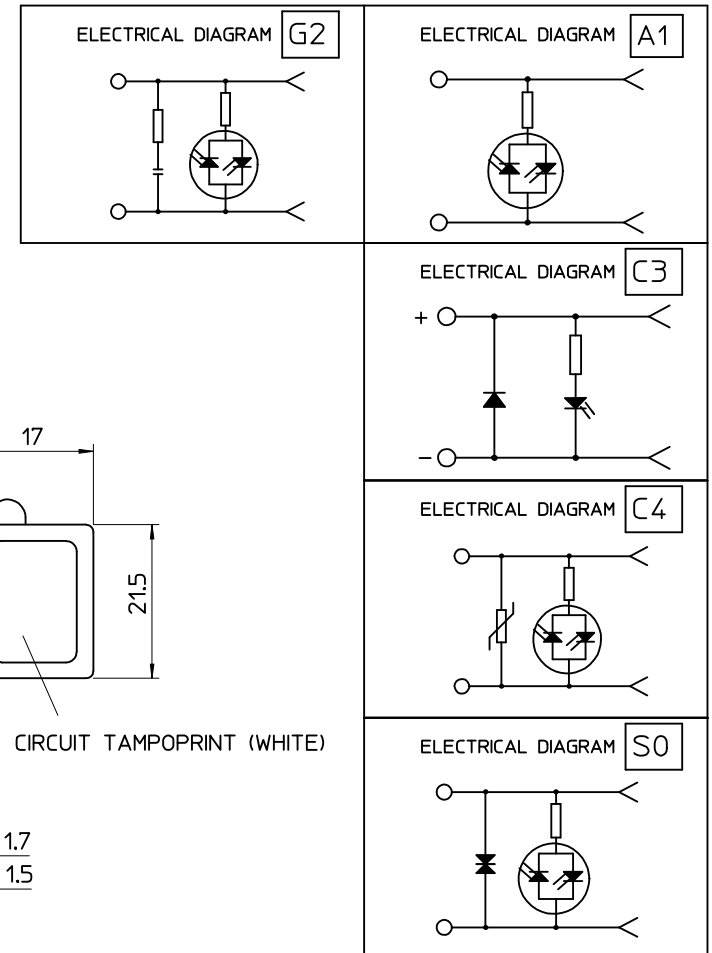
RED LED GREEN LED YELLOW LED

Chart 1

Engineering no.	SAP Part Number	Circuit type	LED Color
A11C4H	1210010354	C4 24V	Yellow
A11C4L	1210010444	C4 115V	Yellow
A11C4M	1210010445	C4 230V	Yellow



Wiring configuration



ORIGINAL RELEASE EC NO: IPG2013-1225 DRWN: JMARSZALEK 2013/02/11 CHKD: MSZWAJKOWSKI 2013/02/11 APPR: MIWASIECZKO 2013/02/12	QUALITY SYMBOLS ▽=0 ◻=0	GENERAL TOLERANCES (UNLESS SPECIFIED)		DIMENSION STYLE MM ONLY		SCALE -	DESIGN UNITS METRIC	FIRST ANGLE PROJECTION		
				mm	INCH	DRAWN BY DATE JMARSZALEK 2013/02/11		TITLE LIGHT ADAPTORS SERIES A11XXX FOR DIN B		
		4 PLACES	± ---	± ---	CHECKED BY DATE MSZWAJKOWSKI 2013/02/11		molex DOCUMENT NO. SD-121001-011 SHEET NO. 1 OF 1			
		3 PLACES	± ---	± ---	APPROVED BY DATE MIWASIECZKO 2013/02/12					
2 PLACES	± ---	± ---	ANGULAR ± --- °		DRAFT WHERE APPLICABLE MUST REMAIN WITHIN DIMENSIONS					
1 PLACE	± ---	± ---	DRAFT WHERE APPLICABLE MUST REMAIN WITHIN DIMENSIONS		MATERIAL NO. SEE CHART 1					
0 PLACE	± ---	± ---			SIZE A4 THIS DRAWING CONTAINS INFORMATION THAT IS PROPRIETARY TO MOLEX INCORPORATED AND SHOULD NOT BE USED WITHOUT WRITTEN PERMISSION					