

1"-16 UN THREAD

Section Z-Z

WIRING DIAGRAM

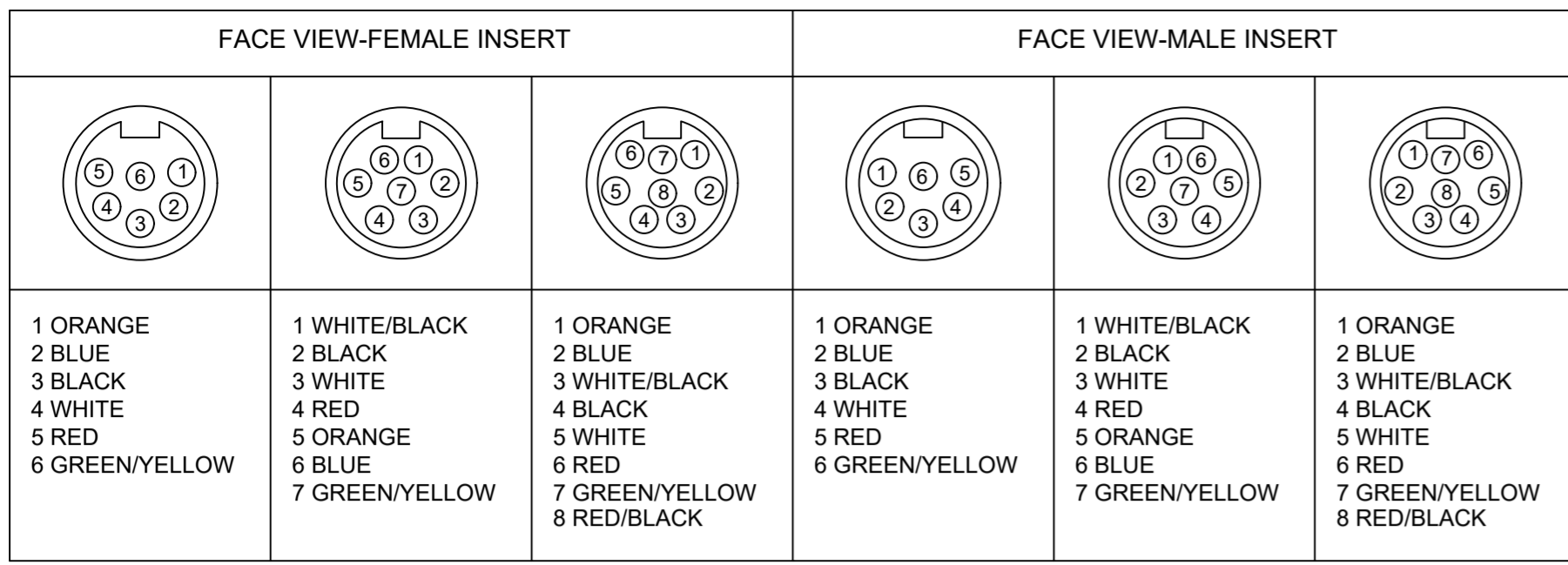
PART NUMBER	ENGINEERING NO.	LENGTH
1300110008	226020A01F030	3' 0" +1.75 - 0 [.9M +44.5 - 0]
1300110010	226020A01F060	6' 0" +2.19 - 0 [1.8M +55.6 - 0]
1300110013	226020A01F090	9' 0" +3.50 - 0 [2.7M +88.9 - 0]
1300110016	226020A01F120	12' 0" +3.50 - 0 [3.7M +88.9 - 0]
1300110018	226020A01F150	15' 0" +6.50 - 0 [4.6M +165.1 - 0]
1300110019	226020A01F200	20' 0" +6.50 - 0 [6.1M +165.1 - 0]
1300110022	226020A01F250	25' 0" +12.50 - 0 [7.6M +317.5 - 0]
1300110023	226020A01F300	30' 0" +12.50 - 0 [9.1M +317.5 - 0]
1300110025	226020A01F350	35' 0" +12.50 - 0 [10.7M +317.5 - 0]
1300110026	226020A01F400	40' 0" +12.50 - 0 [12.2M +317.5 - 0]
1300110028	226020A01F500	50' 0" +24.50 - 0 [15.2M +622.3 - 0]
1300110029	226020A01F650	65' 0" +24.50 - 0 [19.8M +622.3 - 0]
1300110031	226020A01F750	75' 0" +24.50 - 0 [22.9M +622.3 - 0]

- NOTES:
- MATERIAL: SEE TABLE
 - FINISHES: SEE TABLE
 - CABLE ASSEMBLIES ARE BAGGED SEPARATELY IN POLY BAGS WITH BARCODE LABEL ATTACHED TO OUTSIDE OF BAG
 - WRAP LABEL IS MARKED WITH P/N, DATE CODE VOLTAGE & AMPERAGE
 - MATES WITH: MINI CHANGE, C-SIZE 6 POLE RECEPTACLE
 - ELECTRICAL SPECIFICATIONS:
VOLTAGE RATING: 600V
CURRENT RATING: 8 AMPS
 - ASSEMBLY IS RoHS COMPLIANT

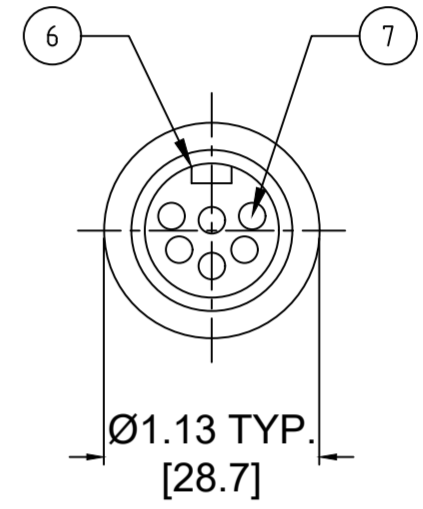
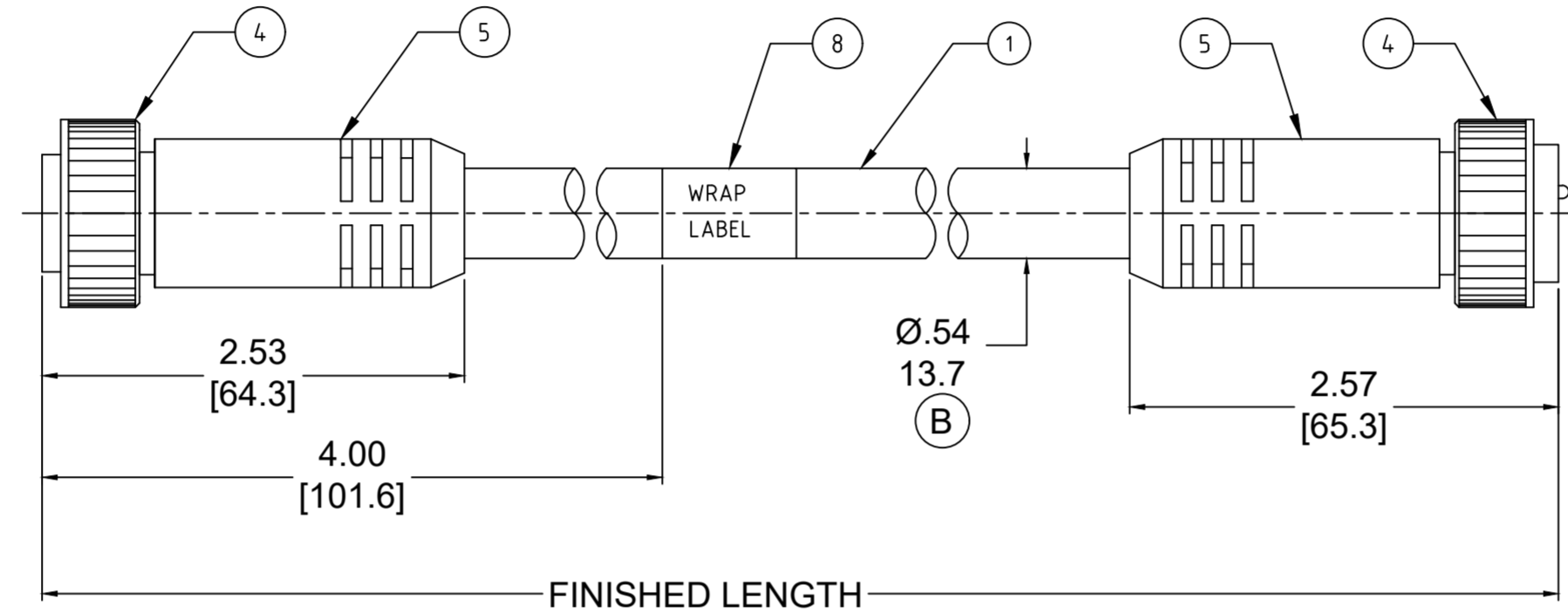
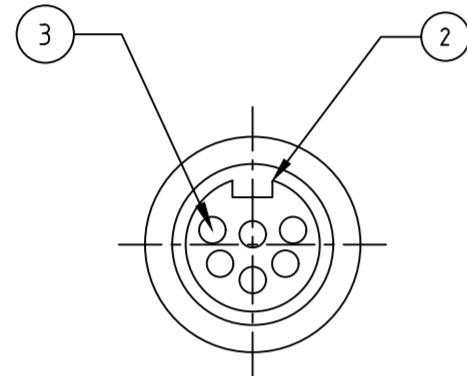
S2		P1
1	ORANGE	1
2	BLUE	2
3	BLACK	3
4	WHITE	4
5	RED	5
6	GREEN YELLOW	6

ITEM	QTY.	DESCRIPTION	MATERIAL	FINISH
10	1	LABEL	PLASTIC FILM	BLACK/YELLOW
9	6	PIN CONTACT	BRASS	GOLD PLATED
8	1	INSERT, MALE, 6 POLE	PVC	YELLOW
7	2	OVERMOLD	PVC	YELLOW
6	2	COUPLING NUT	ZINC DIE CAST	BLACK
5	2	FRICTION RING	NYLON	NATURAL
4	6	SOCKET CONTACT	BRASS	GOLD PLATED
3	6	SOCKET SLEEVE	STAINLESS STEEL	
2	1	INSERT, FEMALE, 6 POLE	PVC	YELLOW
1	1	CABLE, 16-6 ST00W/ST	PVC JACKET	YELLOW

RELEASED EC NO: MNA2009-0627 DRAWN BY: DRWINRSTONE 2009/04/03 CHKD BY: WOODMAN APPR: J.MURPHY 2009/04/08	DESCRIPTION REV	QUALITY SYMBOLS $\nabla=0$ $\nabla=0$	GENERAL TOLERANCES (UNLESS SPECIFIED)	DIMENSION STYLE IN/MM	SCALE 1:1	DESIGN UNITS INCH	THIRD ANGLE PROJECTION																																																																											
		<table border="1"> <tr> <th></th> <th>mm</th> <th>INCH</th> </tr> <tr> <td>4 PLACES</td> <td>± .005</td> <td>± .0005</td> </tr> <tr> <td>3 PLACES</td> <td>± .005</td> <td>± .0005</td> </tr> <tr> <td>2 PLACES</td> <td>± .01</td> <td>± .001</td> </tr> <tr> <td>1 PLACE</td> <td>± 0.3</td> <td>± .012</td> </tr> </table>		mm	INCH	4 PLACES	± .005	± .0005	3 PLACES	± .005	± .0005	2 PLACES	± .01	± .001	1 PLACE	± 0.3	± .012	<table border="1"> <tr> <th>mm</th> <th>INCH</th> </tr> <tr> <td>± .005</td> <td>± .0005</td> </tr> <tr> <td>± .01</td> <td>± .001</td> </tr> <tr> <td>± .012</td> <td>± .0005</td> </tr> <tr> <td>± .015</td> <td>± .0005</td> </tr> <tr> <td>± .02</td> <td>± .0008</td> </tr> <tr> <td>± .03</td> <td>± .0012</td> </tr> <tr> <td>± .05</td> <td>± .002</td> </tr> <tr> <td>± .075</td> <td>± .003</td> </tr> <tr> <td>± .1</td> <td>± .004</td> </tr> <tr> <td>± .15</td> <td>± .006</td> </tr> <tr> <td>± .2</td> <td>± .008</td> </tr> <tr> <td>± .3</td> <td>± .012</td> </tr> <tr> <td>± .5</td> <td>± .02</td> </tr> <tr> <td>± .75</td> <td>± .03</td> </tr> <tr> <td>± 1.0</td> <td>± .04</td> </tr> <tr> <td>± 1.5</td> <td>± .06</td> </tr> <tr> <td>± 2.0</td> <td>± .08</td> </tr> <tr> <td>± 3.0</td> <td>± .12</td> </tr> <tr> <td>± 4.0</td> <td>± .16</td> </tr> <tr> <td>± 5.0</td> <td>± .20</td> </tr> <tr> <td>± 6.0</td> <td>± .24</td> </tr> <tr> <td>± 8.0</td> <td>± .32</td> </tr> <tr> <td>± 10.0</td> <td>± .40</td> </tr> <tr> <td>± 15.0</td> <td>± .60</td> </tr> <tr> <td>± 20.0</td> <td>± .80</td> </tr> <tr> <td>± 30.0</td> <td>± 1.20</td> </tr> <tr> <td>± 40.0</td> <td>± 1.60</td> </tr> <tr> <td>± 50.0</td> <td>± 2.00</td> </tr> <tr> <td>± 75.0</td> <td>± 3.00</td> </tr> <tr> <td>± 100.0</td> <td>± 4.00</td> </tr> </table>	mm	INCH	± .005	± .0005	± .01	± .001	± .012	± .0005	± .015	± .0005	± .02	± .0008	± .03	± .0012	± .05	± .002	± .075	± .003	± .1	± .004	± .15	± .006	± .2	± .008	± .3	± .012	± .5	± .02	± .75	± .03	± 1.0	± .04	± 1.5	± .06	± 2.0	± .08	± 3.0	± .12	± 4.0	± .16	± 5.0	± .20	± 6.0	± .24	± 8.0	± .32	± 10.0	± .40	± 15.0	± .60	± 20.0	± .80	± 30.0	± 1.20	± 40.0	± 1.60	± 50.0	± 2.00	± 75.0	± 3.00	± 100.0	± 4.00	DRAWN BY: R. STONE DATE: 2009/04/02 CHECKED BY: B. WOODMAN DATE: 2009/04/03 APPROVED BY: J. MURPHY DATE: 2008/04/06	TITLE: MINI-CHANGE CORD ASSY MALE/FEMALE, B-SIZE 6 POLE
			mm	INCH																																																																														
		4 PLACES	± .005	± .0005																																																																														
3 PLACES	± .005	± .0005																																																																																
2 PLACES	± .01	± .001																																																																																
1 PLACE	± 0.3	± .012																																																																																
mm	INCH																																																																																	
± .005	± .0005																																																																																	
± .01	± .001																																																																																	
± .012	± .0005																																																																																	
± .015	± .0005																																																																																	
± .02	± .0008																																																																																	
± .03	± .0012																																																																																	
± .05	± .002																																																																																	
± .075	± .003																																																																																	
± .1	± .004																																																																																	
± .15	± .006																																																																																	
± .2	± .008																																																																																	
± .3	± .012																																																																																	
± .5	± .02																																																																																	
± .75	± .03																																																																																	
± 1.0	± .04																																																																																	
± 1.5	± .06																																																																																	
± 2.0	± .08																																																																																	
± 3.0	± .12																																																																																	
± 4.0	± .16																																																																																	
± 5.0	± .20																																																																																	
± 6.0	± .24																																																																																	
± 8.0	± .32																																																																																	
± 10.0	± .40																																																																																	
± 15.0	± .60																																																																																	
± 20.0	± .80																																																																																	
± 30.0	± 1.20																																																																																	
± 40.0	± 1.60																																																																																	
± 50.0	± 2.00																																																																																	
± 75.0	± 3.00																																																																																	
± 100.0	± 4.00																																																																																	
DRAFT WHERE APPLICABLE MUST REMAIN WITHIN DIMENSIONS			MATERIAL NO. SEE CHART	MOLEX INCORPORATED	DOCUMENT NO. SD-130011-001	SHEET NO. 1 OF 1																																																																												
THIS DRAWING CONTAINS INFORMATION THAT IS PROPRIETARY TO MOLEX INCORPORATED AND SHOULD NOT BE USED WITHOUT WRITTEN PERMISSION																																																																																		



PART NO	ENGINEERING NO.	FINISHED LENGTH
1300110008	226020A01F030	3FT [0.9M]
1300110082	227020A01M300	30M [98FT 5 IN]
1300110158	228020A01M600	60M [196FT 10 IN]



- NOTES:
- MATERIAL: AS NOTED
 - FINISH: AS NOTED
 - ELECTRICAL:
6 POLE: VOLTAGE: 400V PER IEC60664
600V PER UL2238
CURRENT: 8A
7 POLE: VOLTAGE: 320V PER IEC60664
600V PER UL2238
CURRENT: 8A
8 POLE: VOLTAGE: 320V PER IEC60664
600V PER UL2238
CURRENT: 7A
 - TEMP RATING: -20°TO +105°C
 - PROTECTION: IP67 (WHEN MATED)
 - COUPLING THREAD: 1"-16 UN
 - UL RECOGNIZED FILE: E152210
CSA CERTIFIED FILE: LR6837 (B)
 - ALL DIMENSIONS ARE FOR REFERENCE UNLESS TOLERANCED OR NOTED OTHERWISE

PART NO. MATRIX
227020A01M010
 POLES (6,7,8) FINISHED LENGTH:
 M005= 0.5 METER
 M010= 1 METER
 M100= 10 METER
 F010= 1 FOOT
 F100= 10 FEET

CABLE LENGTH TOLERANCES

>.3M [1FT]:	+19mm-0 [+.75in-0]
.3 - .9M [1 - 3FT]:	+44.5mm-0 [+1.75in-0]
.9 - 1.8M [3 - 6FT]:	+55.6mm-0 [+2.19in-0]
1.8 - 3.7M [6 - 12FT]:	+88.9mm-0 [+3.50in-0]
3.7 - 7.3M [12 - 24FT]:	+165.1mm-0 [+6.50in-0]
7.3-14.6M [24 - 48FT]:	+317.5mm-0 [+12.50in-0]
14.6 - 30.5M [48-100FT]:	+622.3mm-0 [+24.50in-0]
OVER 30M [100FT]	+2% OF FINISHED LENGTH

8	WRAP LABEL	VINYL	BLACK/YELLOW
7	CONTACT PIN	COPPER ALLOY	GOLD PLATED
6	MALE INSERT	TPE	YELLOW
5	OVERMOLD	TPE	YELLOW
4	COUPLING	ZINC DIE-CAST	BLACK
3	CONTACT SOCKET	COPPER ALLOY	GOLD PLATED
2	FEMALE INSERT	TPE	YELLOW
1	CABLE, 16AWG, TPE,STOOW	PVC JACKET	YELLOW
ITEM	DESCRIPTION	MATERIAL	FINISH

FUNCTIONAL SYMBOLS	THIS DRAWING CONTAINS INFORMATION THAT IS PROPRIETARY TO MOLEX ELECTRONIC TECHNOLOGIES, LLC AND SHOULD NOT BE USED WITHOUT WRITTEN PERMISSION		CURRENT REV DESC: ITEM# 2, 5 & 6 WERE PVC. ADDED "CSA" IN NOTES. ADDED CABLE DIA. MODIFIED MATERIAL TABLE	
	DIMENSION UNITS	SCALE		
DIVISIONAL SYMBOLS	INCH/MM	NTS		
	GENERAL TOLERANCES (UNLESS SPECIFIED)			
DIVISIONAL SYMBOLS	4 PLACES	±----	±----	
	3 PLACES	±----	±----	
	2 PLACES	±----	±----	
	1 PLACE	±----	±----	
	0 PLACES	±----	±----	
	ANGULAR TOL ± 0.5 °			
	DRAFT WHERE APPLICABLE MUST REMAIN WITHIN DIMENSIONS	THIRD ANGLE PROJECTION	DRAWING	SERIES
			C-SIZE	139990

molex	
MINI-CHANGE CORDSET, B-SIZE, 6-8 POLE, MALE-FEMALE, STRAIGHT, SINGLE KEY, 16 AWG	
PRODUCT CUSTOMER DRAWING	
DOCUMENT NUMBER	DOC TYPE/DOC PART/REVISION
SD-130011-006	PSD 001 B
MATERIAL NUMBER	CUSTOMER
SEE CHART	GENERAL MARKET
SHEET NUMBER	1 OF 1