

6

5

4

3

2

1

E

E

D

D

C

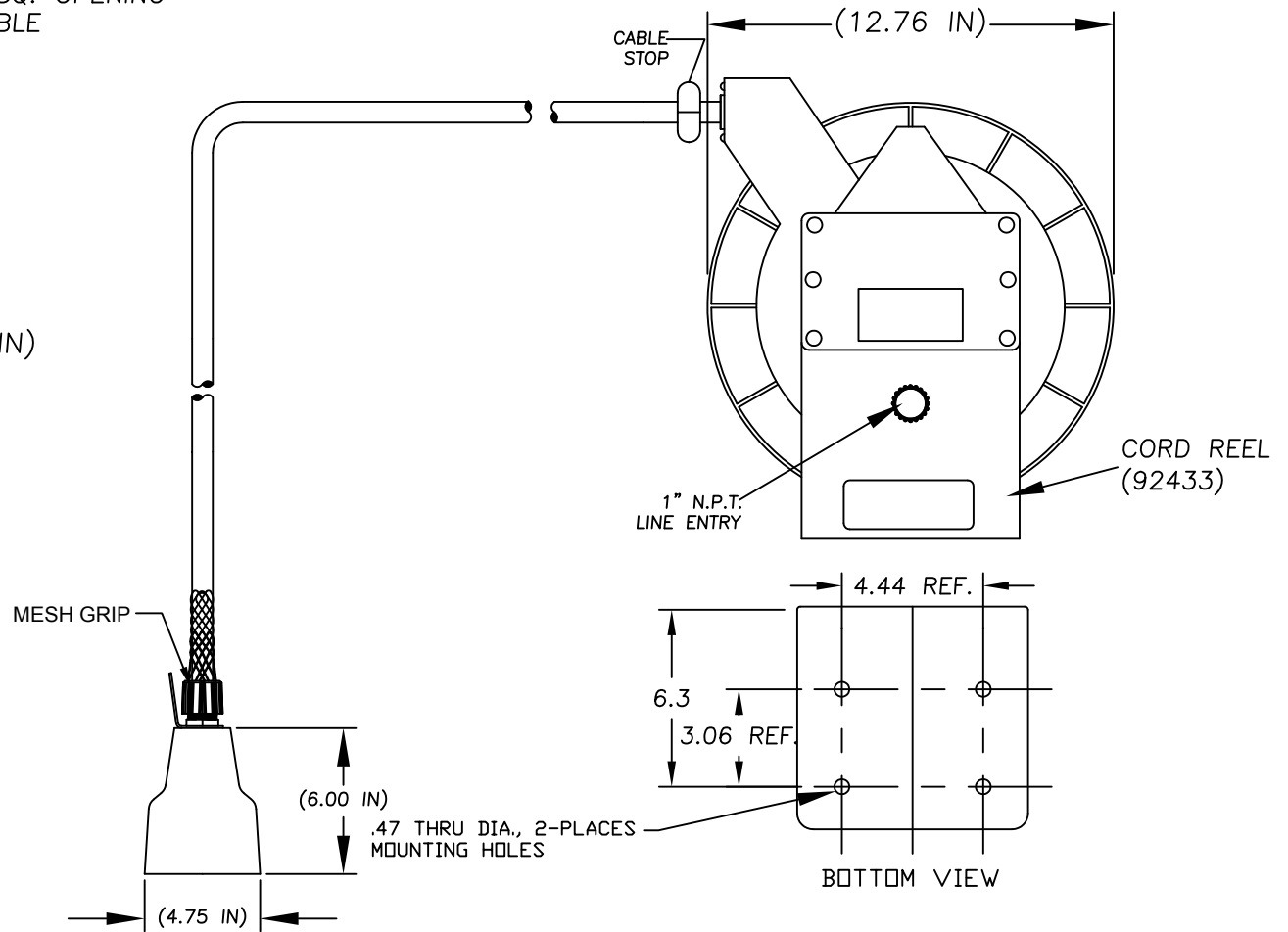
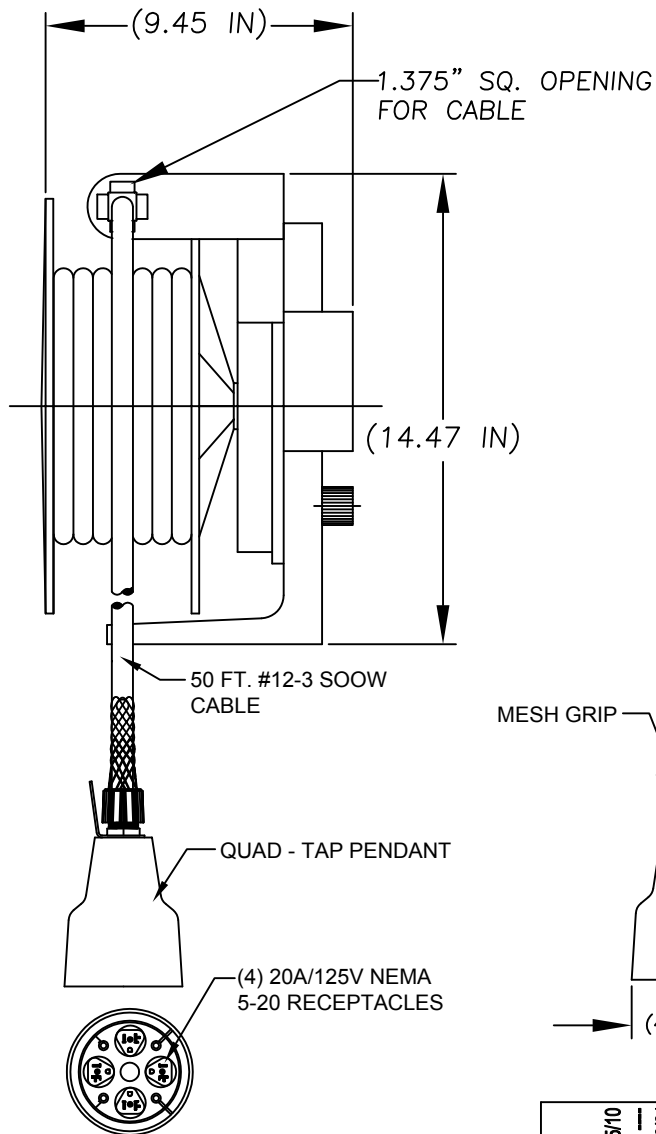
C

B

B

A

A



CORRECT BOTTOM VIEW DIMS	EC NO: WNA2010-0525 DRWN: TVICKERS CHKD: HK APPR: DTITUS REV DESCRIPTION	2/25/10 2010/06/21	QUALITY SYMBOLS ▽=0 ∇=0	GENERAL TOLERANCES (UNLESS SPECIFIED)		DIMENSION STYLE INCH		SCALE NTS	DESIGN UNITS INCH	THIRD ANGLE PROJECTION	
					mm	INCH	DRAWN BY TV	DATE 2009/11/17	TITLE 92433 W/34048 QUAD PENDANT (4) NEMA 5-20 & MESH		
				4 PLACES	±---	±---	CHECKED BY KA	DATE 2009/11/17	MOLEX INCORPORATED		
				3 PLACES	±---	±.005	APPROVED BY DTITUS	DATE 2009/11/25			
2 PLACES	±.13	±.010	ANGULAR ±.5°		MATERIAL NO. 1300830887		DOCUMENT NO. SD-130083-016	SHEET NO. 1 OF 1			
1 PLACE	±.24	±.020	DRAFT WHERE APPLICABLE MUST REMAIN WITHIN DIMENSIONS		THIS DRAWING CONTAINS INFORMATION THAT IS PROPRIETARY TO MOLEX INCORPORATED AND SHOULD NOT BE USED WITHOUT WRITTEN PERMISSION						
B				SIZE A							

6

5

4

3

2

1