

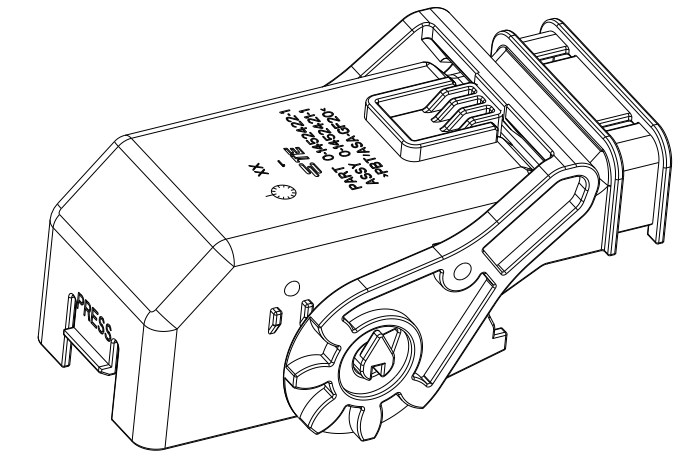
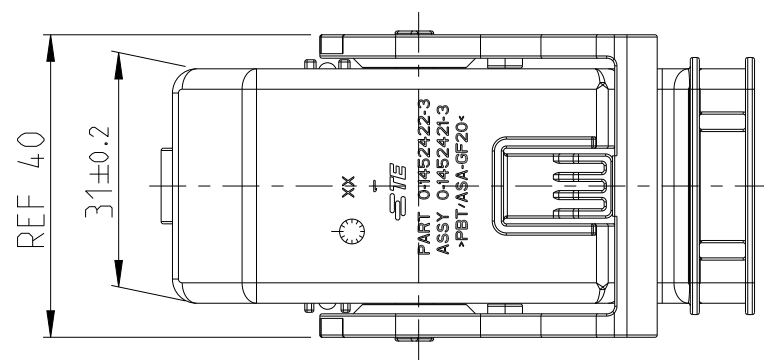
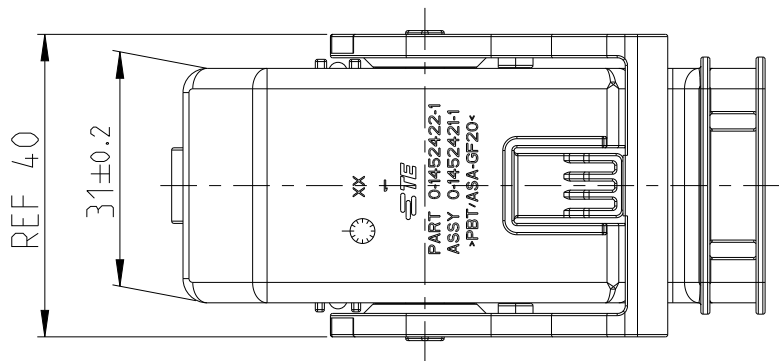
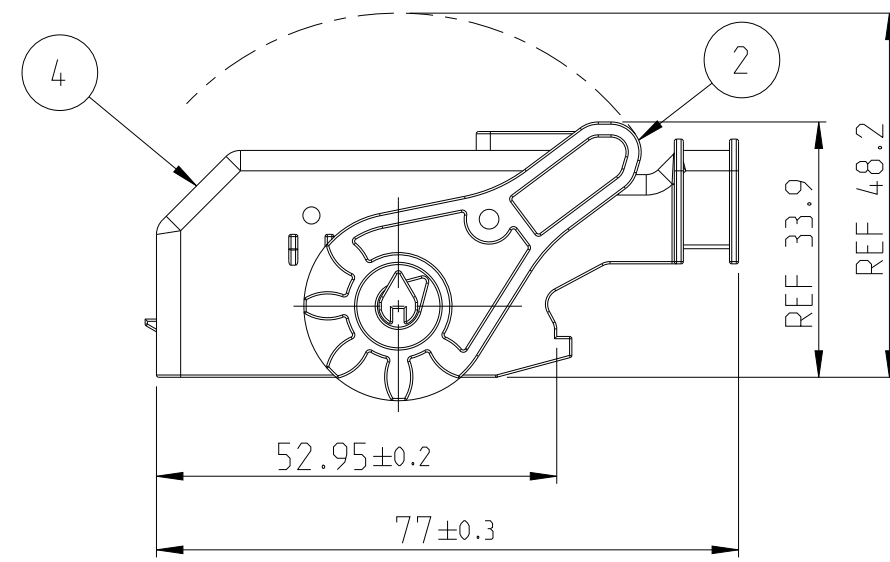
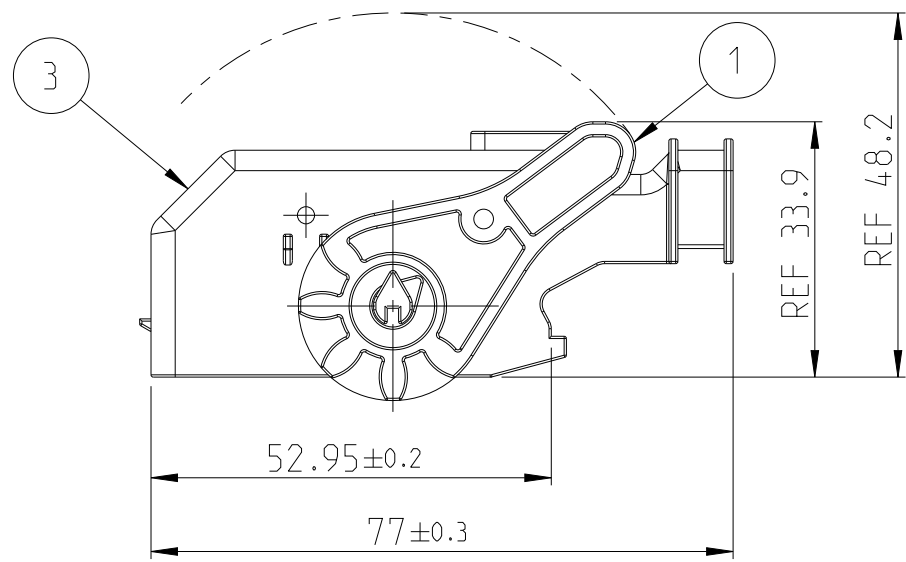
LOC AI DIST -

REVISIONS

| P | LTR | DESCRIPTION | DATE | DWN | APVD |
|----|-----|---------------|-----------|-----|------|
| E | | ECR-06-008012 | 03APR2006 | GP | GM |
| E1 | | ECR-09-008099 | 09APR2009 | HKE | ASC |
| E2 | | ECR-10-016065 | 20JUL2010 | GP | GM |
| F | | ECR-22-135778 | 17APR2022 | VKS | PT |

0-1452421-1

0-1452421-3



NOTES:
Bemerkungen:
1 ASSY DELIVERED WITH LEVER IN ENDOCKED POSITION
Anlieferungszustand: Lever in Endraststellung

| MATED WITH verwendet mit | 1563172 1452415 | 1563172 1452415 | | | | |
|-----------------------------|--------------------|--------------------|-----------------------------|--------------------|------------|---------|
| | 1x | | PBT/ASA-GF20 | 58 POS. CON. COVER | BLACK - | 4 |
| | | 1x | PBT/ASA-GF20 | 58 POS. CON. COVER | BLACK - | 3 |
| | 1x | | PBT-GF20 | 96 POS. LEVER | GREY - | 2 |
| | | 1x | PBT-GF20 | 96 POS. LEVER | RED - | 1 |
| | 0-1452421-3 | 0-1452421-1 | MATERIAL | DESCRIPTION | COLOUR | ITEM NO |
| | 18.3 | 18.3 | WEIGHT OF EACH ASSY. NO [g] | | | |
| | QTY REQD PER ASSY | | PARTS LIST | | | |

| | | | |
|---|---|--|---|
| <small>THIS DRAWING IS A CONTROLLED DOCUMENT FOR TYCO ELECTRONICS CORPORATION IT IS SUBJECT TO CHANGE AND THE CONTROLLING ENGINEERING ORGANIZATION SHOULD BE CONTACTED FOR THE LATEST REVISION.</small> | | DWN S. DENTER 27MAY2002 CHK G. PUCKEL 27MAY2002 APVD G. MUMPER 27MAY2002 PRODUCT SPEC - APPLICATION SPEC 114-18534-1 WEIGHT - | Tyco Electronics AMP GmbH D - 64625 Bensheim |
| DIMENSIONS: mm | TOLERANCES UNLESS OTHERWISE SPECIFIED: 0 PLC ± 1 PLC ± 2 PLC ± 3 PLC ± 4 PLC ± ANGLES ± FINISH - | NAME 58 POS. CONNECTOR COVER 90 ASSY FOR 154 POS. CONNECTOR SIZE A3 CAGE CODE 00779 DRAWING NO C-1452421 RESTRICTED TO | SCALE 1:1 SHEET 1 OF 1 REV F |
| MATERIAL - | | CUSTOMER DRAWING | |