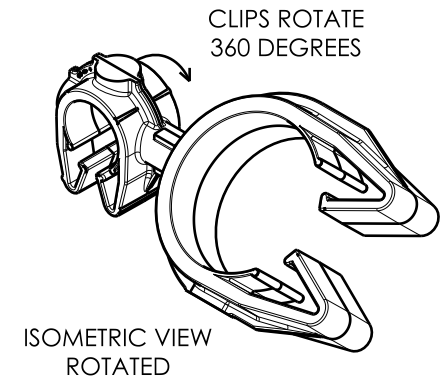
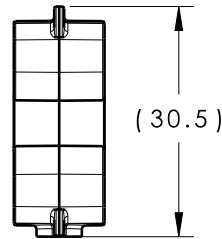
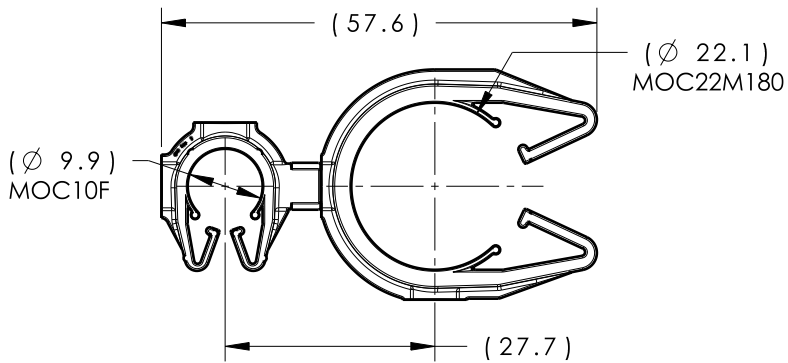
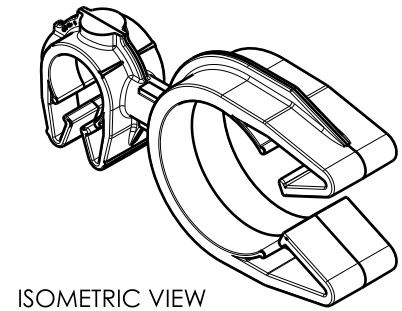
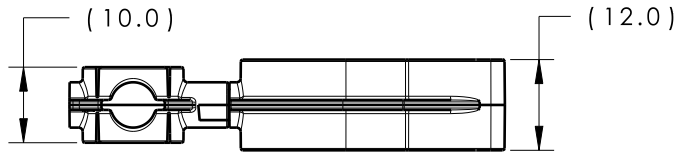


Revision Level			Revision Record	Changed	Date	Approved	Date
Drawing	State	Part					
00.0	Design Release	-	SEE ECN# 014503	TAT	6/28/18	EJH	6/28/18



TYPE	MOC10F	MOC22M180
HARNESS	10.0MM-11.5MM	20.0MM-24.0MM
HOSE	9.5MM-11.5MM	20.0MM-24.0MM
HARD PIPE/TUBE	10.0MM-11.5MM	22.0MM-25.0MM

*RECOMMENDED SIZES MAY DIFFER DEPENDING ON THE APPLICATION, PRODUCT REQUIREMENTS AND MATERIALS USED

PATENT PENDING 29/582,271

GLOBAL PART DESCRIPTION	MOC10F**			MOC22M180**		
	DRAWING	MATERIAL	COLOR	DRAWING	MATERIAL	COLOR
MOC10FMOC22M180-PA66HIRHSUV-BK	16-0318-000-CSU	PA66HIRHSUV	BLACK	16-0323-000-CSU	PA66HIRHSUV	BLACK

Material SEE CHART COLOR: SEE CHART	Units	millimeters	The copyright of this drawing is reserved by HellermannTyton. It is issued on condition that it is not reproduced, copied or disclosed to a third party, either wholly or in part, without the consent of HellermannTyton.	Drawn	TAT	6/27/18	Article/Type-No	MOC10FMOC22M180		Scale	1:1
	Tolerance defined on each dimension	Approved		EJH	6/27/18	Title		10MM MOC COUPLED TO A 22MM MOC		Project Number	16-0330
		 North America Email: corp@htamericas.com Web: www.hellermann.tyton.com			Drawing-No		PRODUCTION : Phase		Format	AH	
							16-0330-371-CSU		Sheet	1/1	