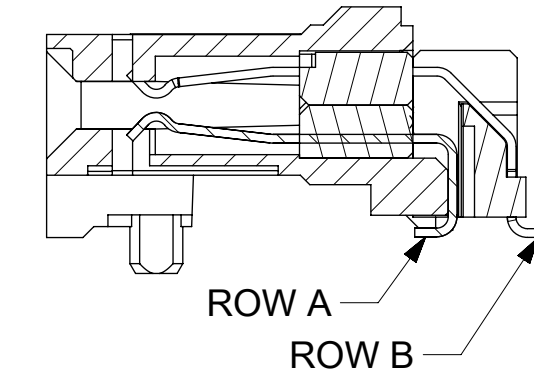
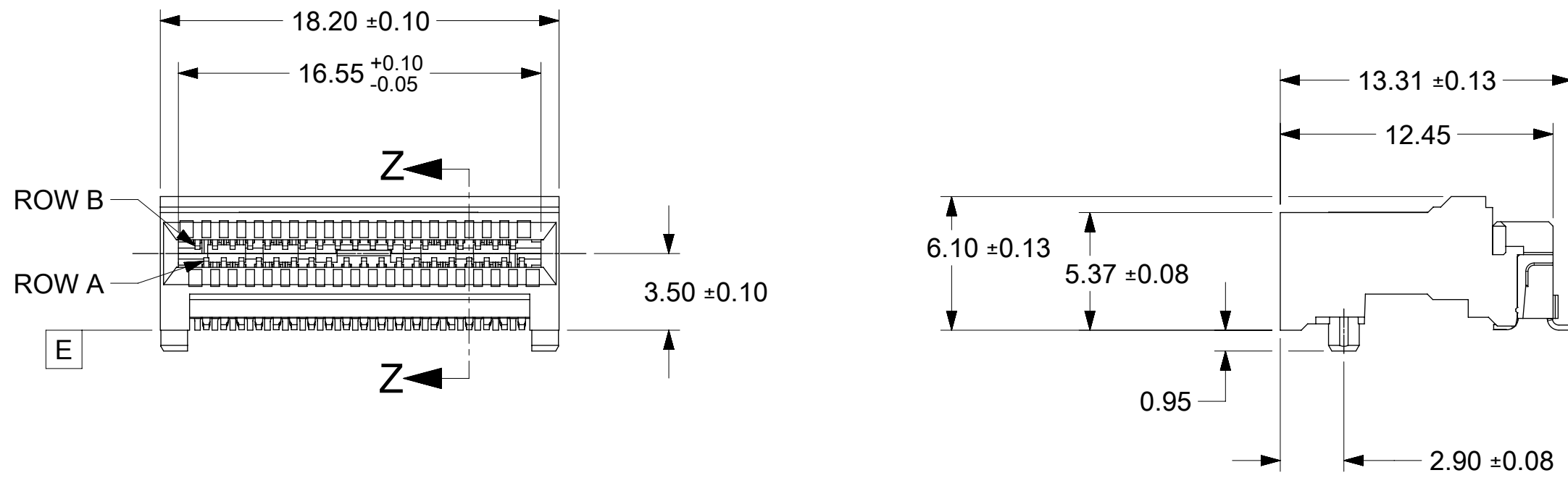
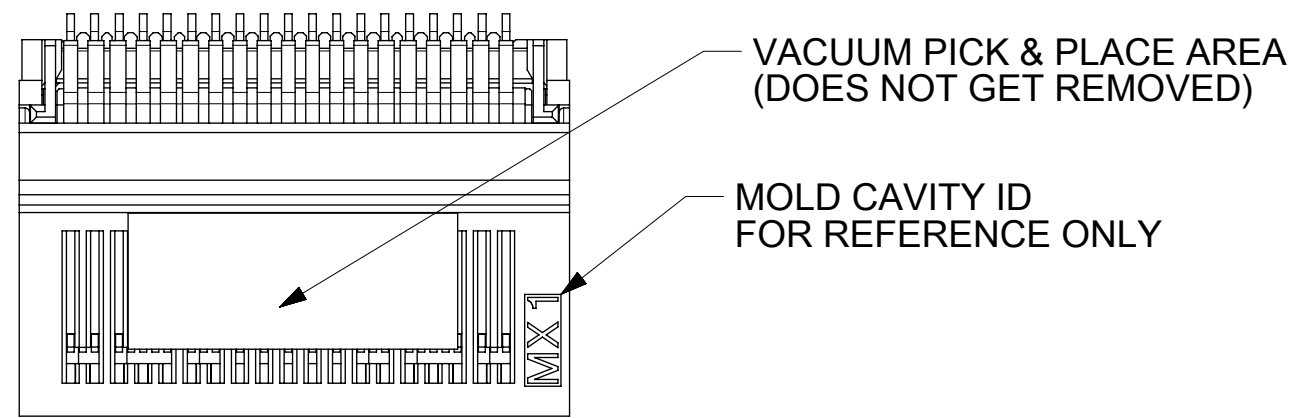
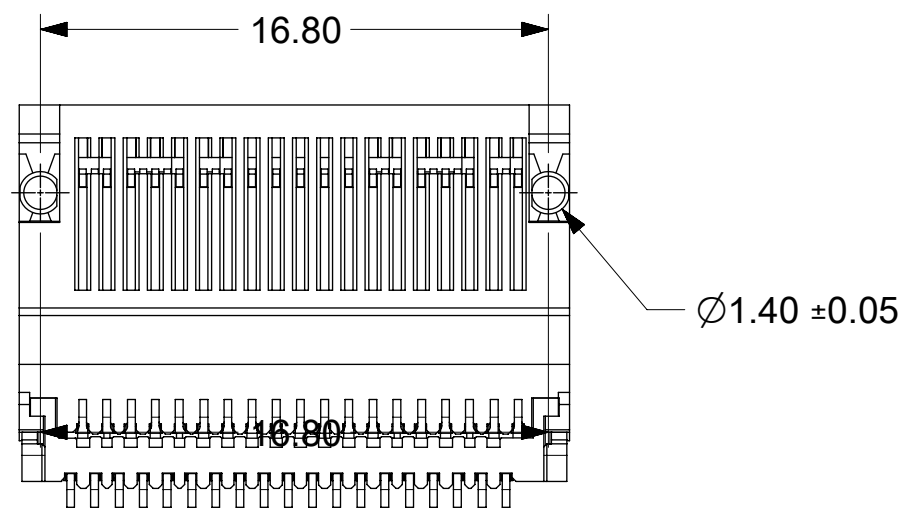


NOTES

1. MATERIAL:
HOUSING - HIGH TEMPERATURE THERMOPLASTIC GLASS FILLED,
UL 94V-0, BLACK
TERMINALS - COPPER ALLOY
2. PLATING:
CONTACT AREA - 0.38 μ m MIN GOLD OVER 2.54 μ m MIN NICKEL
SOLDER FOOT AREA - 2.54 - 5.09 μ m TIN OVER 2.54 μ m MAX NICKEL.
3. PLATING:
CONTACT AREA - 0.76 μ m MIN GOLD OVER 2.54 μ m MIN NICKEL
SOLDER AREA - 2.54 - 5.09 μ m TIN OVER 2.54 μ m MAX NICKEL
4. PLATING:
CONTACT AREA - 0.76 μ m MIN GOLD OVER 2.54 μ m MIN NICKEL;
SOLDER AREA: GOLD FLASH OVER 2.54 μ m MAX NICKEL.
5. TERMINAL SOLDER FEET TO BE COPLANAR WITHIN 0.10/.004 MEASURED FROM FRONT HOUSING STAND OFF (DATUM E)
6. DATE CODE AND ASSEMBLY LINE CODE ARE LOCATED APPROXIMATELY AS SHOWN
7. CIRCUIT IDENTIFIER: SEE APPROPRIATE INDUSTRY SPECIFICATION FOR LOCATION OF PIN 1
8. PACKAGED PER PACKAGING SPECIFICATION: PK-170432-900 AND 1704329901
9. CONFORMS TO PRODUCT SPECIFICATION: PS-170432-001
10. THIS PART CONFORMS TO CLASS C REQUIREMENTS OF COSMETIC SPECIFICATION PS-45499-002.

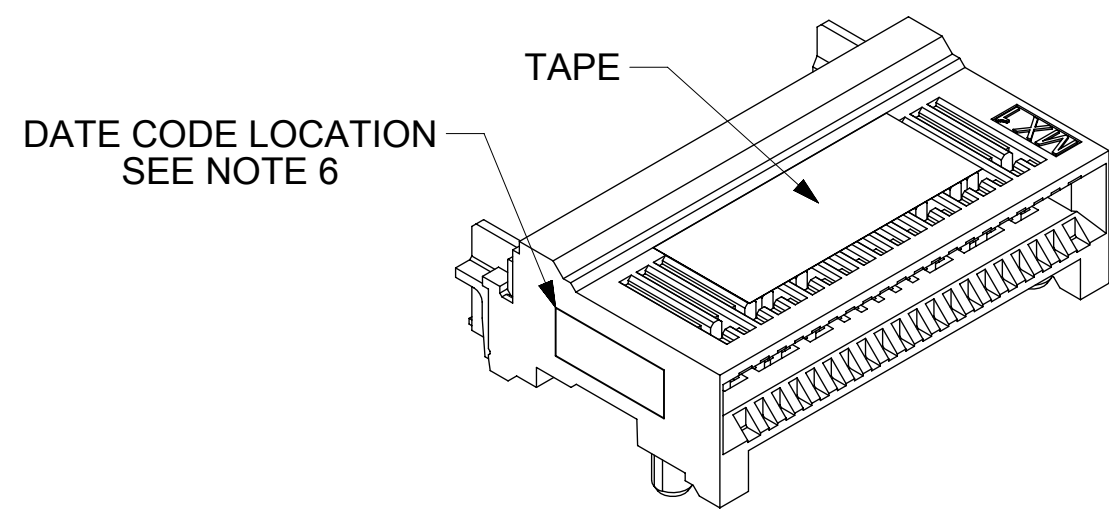


SECTION Z-Z
SCALE 5:1

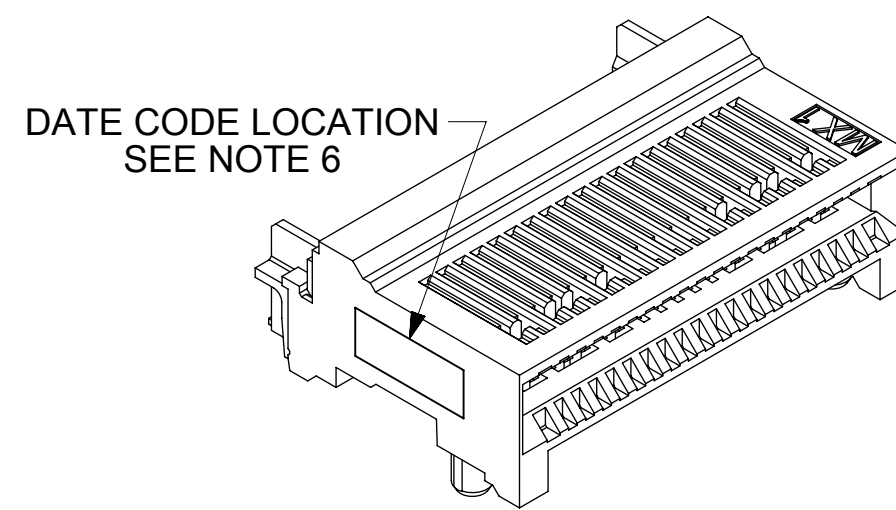


NOTES 6:
DDD Y XX

DAYS
YEAR
1#-EXISTING LINE
2#-NEW LINE



170432-0001
170432-0002
170432-0003
170432-0005
WITH TAPE

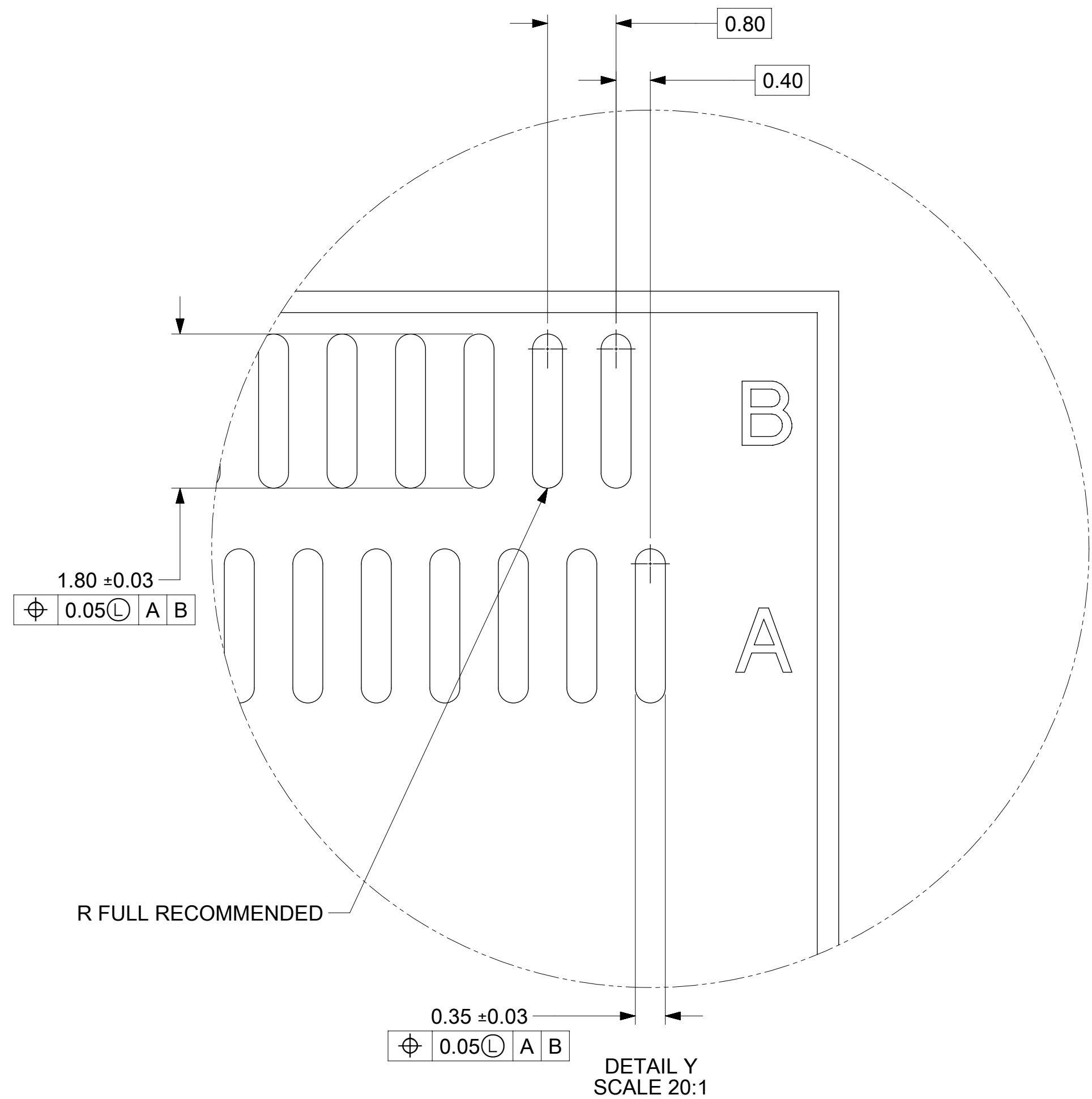
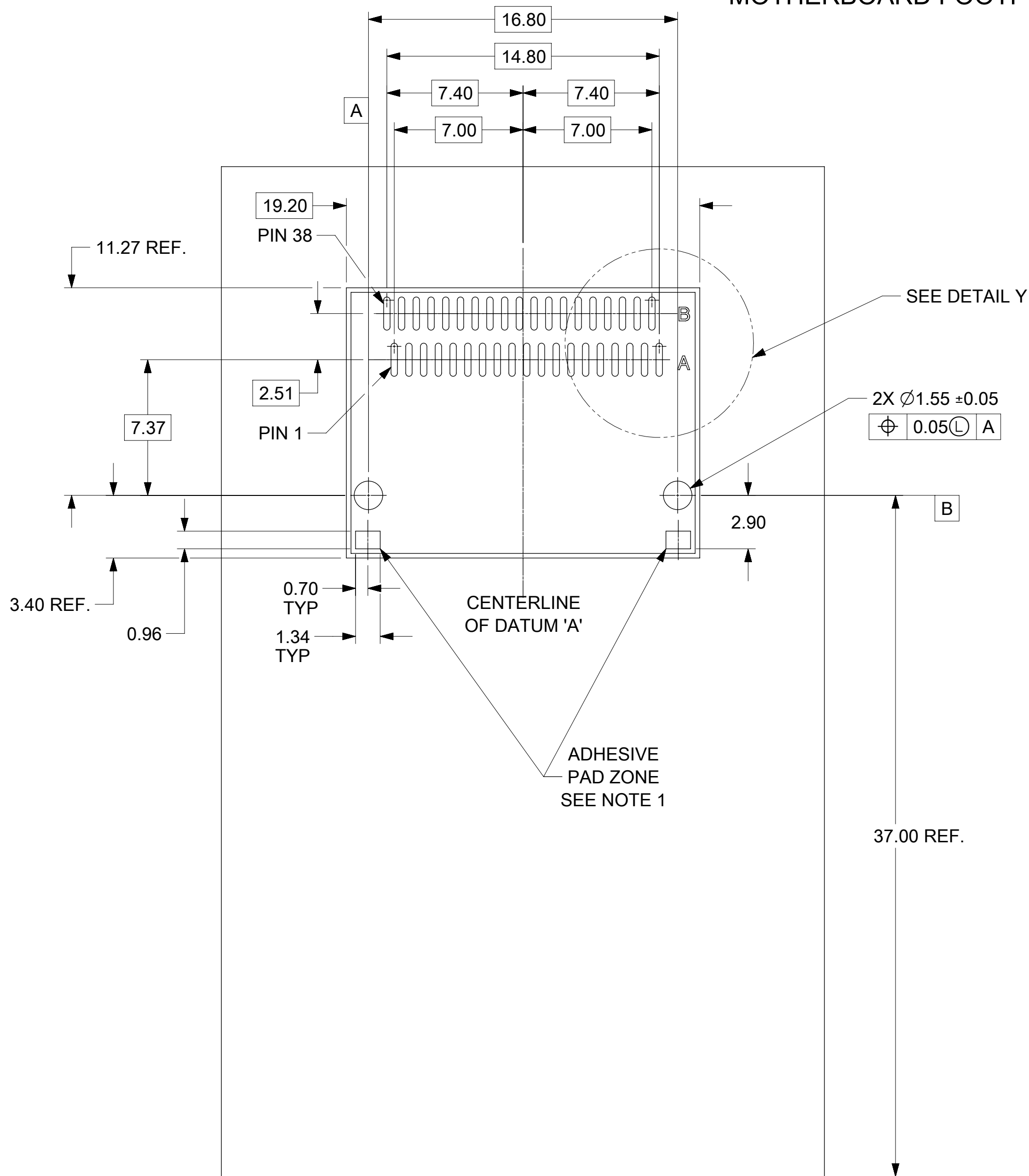


170432-0007
WITH OUT TAPE

PART NUMBER	DESCRIPTION	PACKAGING
170432-0001	PLATED PER NOTE 2	SEE 1704320001-PK
170432-0002	PLATED PER NOTE 3	SEE PK-170432-900
170432-0003	PLATED PER NOTE 4	
170432-0005	PLATED PER NOTE 3	SEE 1704329901
170432-0007	PLATED PER NOTE 3	SEE PK-170432-900

SYMBOLS		THIS DRAWING CONTAINS INFORMATION THAT IS PROPRIETARY TO MOLEX ELECTRONIC TECHNOLOGIES, LLC AND SHOULD NOT BE USED WITHOUT WRITTEN PERMISSION	
DIMENSION UNITS	SCALE	CURRENT REV DESC:	
∇ = 0	MM	4:1	EC NO: 685874 DRWN: TTAO03 2021/05/21 CHK'D: JKACHLIC 2021/11/23 APPR: JKACHLIC 2021/11/23
∇ / = 0	GENERAL TOLERANCES (UNLESS SPECIFIED)		
∇ = 0	ANGULAR TOL \pm 0.5°		
∇ S = 0	4 PLACES	\pm	INITIAL REVISION: DRWN: JGONZALEZ01 2010/05/06 APPR: JJANTELEZIO 2011/01/27
∇ = 0	3 PLACES	\pm	
∇ = 0	2 PLACES	\pm 0.25	THIRD ANGLE PROJECTION DRAWING SERIES C-SIZE 170432
∇ = 0	1 PLACE	\pm 0.38	
∇ X = 0	0 PLACES	\pm	DOCUMENT NUMBER SD-170432-002 DOC TYPE PSD DOC PART 001 REVISION F1
∇ = 0	DRAFT WHERE APPLICABLE MUST REMAIN WITHIN DIMENSIONS		
MATERIAL NUMBER SEE TABLE		CUSTOMER GENERAL MARKET	SHEET NUMBER 1 OF 4

MOTHERBOARD FOOTPRINT RECOMMENDATION



NOTES:
 1. WHEN USING A TWO PASS REFLOW PROCESS WHERE THE CONNECTOR IS ON THE UNDERSIDE OF THE PCB DURING THE SECOND PASS, USE OF AN ADHESIVE IS RECOMMENDED.

SYMBOLS		THIS DRAWING CONTAINS INFORMATION THAT IS PROPRIETARY TO MOLEX ELECTRONIC TECHNOLOGIES, LLC AND SHOULD NOT BE USED WITHOUT WRITTEN PERMISSION	
DIMENSION UNITS	SCALE	CURRENT REV DESC:	
$\nabla = 0$	MM	5:1	EC NO: 685874 DRWN: TTAO03 2021/05/21 CHK'D: JKACHLIC 2021/11/23 APPR: JKACHLIC 2021/11/23
$\nabla = 0$	GENERAL TOLERANCES (UNLESS SPECIFIED)		
$\nabla = 0$	ANGULAR TOL $\pm 0.5^\circ$		
$\nabla = 0$	4 PLACES \pm		
$\nabla = 0$	3 PLACES \pm		INITIAL REVISION: DRWN: JGONZALEZ01 2010/05/06 APPR: JJANTELEZIO 2011/01/27
$\nabla = 0$	2 PLACES ± 0.25		
$\nabla = 0$	1 PLACE ± 0.38		
$\nabla = 0$	0 PLACES \pm		MATERIAL NUMBER: SEE TABLE CUSTOMER: GENERAL MARKET SHEET NUMBER: 2 OF 4
$\nabla = 0$	DRAFT WHERE APPLICABLE MUST REMAIN WITHIN DIMENSIONS		
THIRD ANGLE PROJECTION		DRAWING	SERIES
		C-SIZE	170432

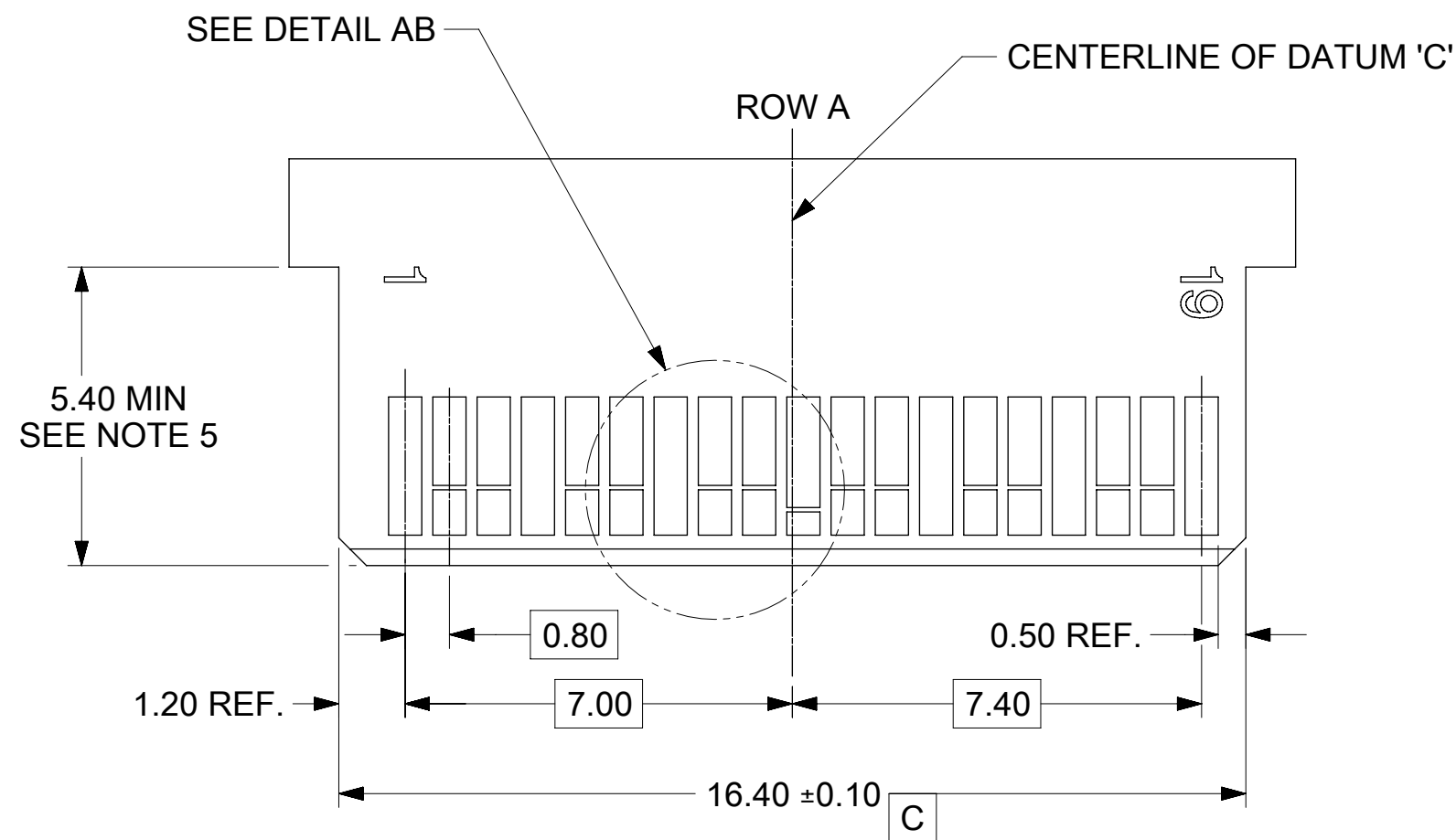
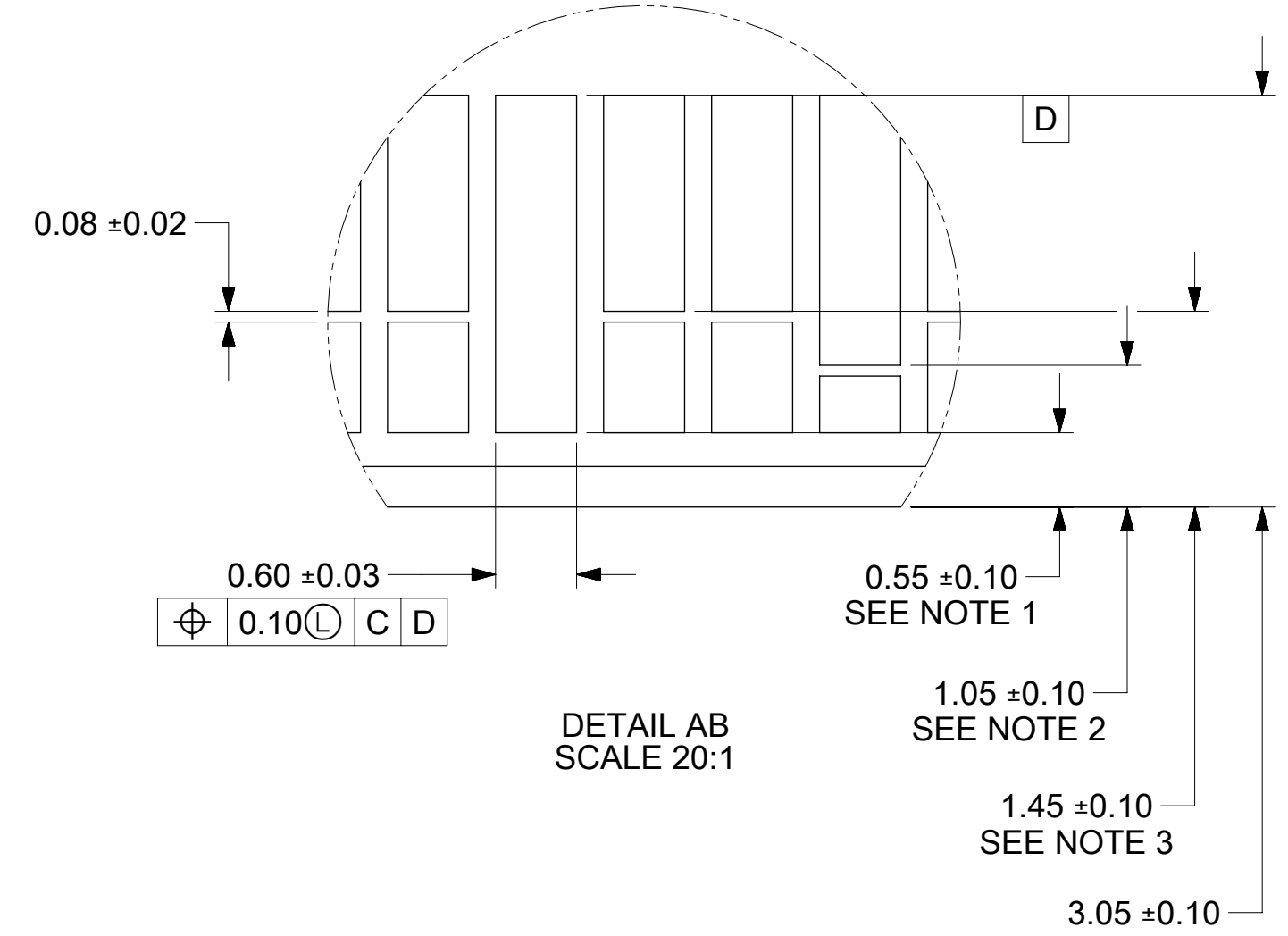
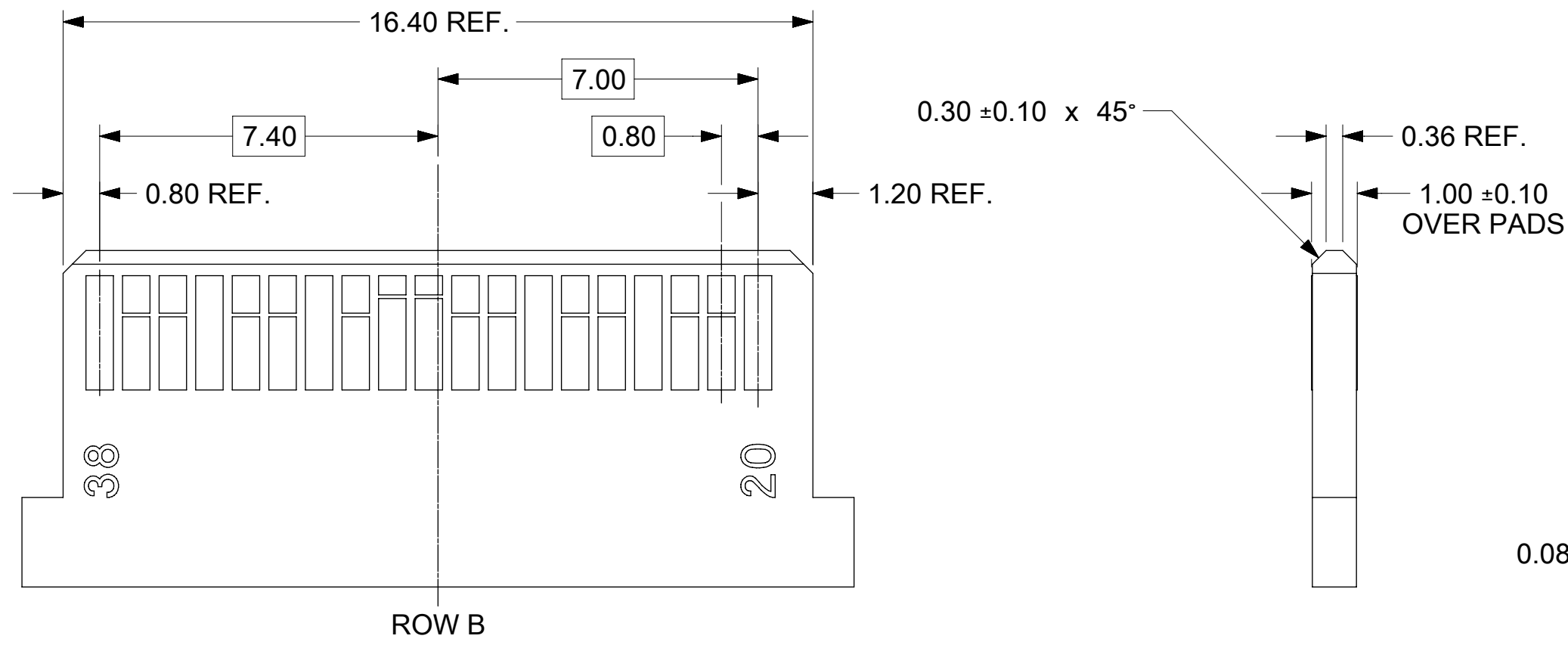
molex

ASSEMBLY ZQSFP+
38 CIRCUIT

PRODUCT CUSTOMER DRAWING

DOCUMENT NUMBER	DOC TYPE	DOC PART	REVISION
SD-170432-002	PSD	001	F1

MODULE BOARD FOOTPRINT RECOMMENDATION



- NOTES:
- PAD CONFIGURATION FOR FIRST MATE.
 - PAD CONFIGURATION FOR SECOND MATE.
 - PAD CONFIGURATION FOR THIRD MATE (HIGH SPEED SIGNALS).
 - FOR PIN ASSIGNMENTS AND MATING SEQUENCE (1ST,2ND,3RD). SEE APPLICABLE SPECIFICATION.
 - MINIMUM STEP REQUIRED IF PCB MADE WIDER THAN CARD TONGUE.

THIS DRAWING CONTAINS INFORMATION THAT IS PROPRIETARY TO MOLEX ELECTRONIC TECHNOLOGIES, LLC AND SHOULD NOT BE USED WITHOUT WRITTEN PERMISSION									
SYMBOLS	DIMENSION UNITS	SCALE	CURRENT REV DESC:						
$\nabla = 0$	MM	8:1	EC NO: 685874 DRWN: TTAO03 2021/05/21 CHK'D: JKACHLIC 2021/11/23 APPR: JKACHLIC 2021/11/23 INITIAL REVISION: DRWN: JGONZALEZ01 2010/05/06 APPR: JJANTELEZIO 2011/01/27						
$\nabla = 0$	GENERAL TOLERANCES (UNLESS SPECIFIED)								
$\nabla = 0$	ANGULAR TOL $\pm 0.5^\circ$								
$\nabla = 0$	4 PLACES \pm								
$\nabla = 0$	3 PLACES \pm								
$\nabla = 0$	2 PLACES ± 0.25		PRODUCT CUSTOMER DRAWING DOCUMENT NUMBER: SD-170432-002 DOC TYPE: PSD DOC PART: 001 REVISION: F1						
$\nabla = 0$	1 PLACE ± 0.38								
$\nabla = 0$	0 PLACES \pm								
$\square = 0$	DRAFT WHERE APPLICABLE MUST REMAIN WITHIN DIMENSIONS		THIRD ANGLE PROJECTION	DRAWING	SERIES	MATERIAL NUMBER	CUSTOMER	SHEET NUMBER	
$\nabla = 0$				C-SIZE	170432	SEE TABLE	GENERAL MARKET	3 OF 4	

molex

ASSEMBLY ZQSFP+
38 CIRCUIT

PRODUCT CUSTOMER DRAWING

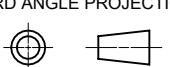
SD-170432-002

PSD 001 F1

SEE TABLE GENERAL MARKET 3 OF 4

DATE	VERSION	DESCRIPTION
2021/05/21	F1	1. SHEET 1: B1 UPDATE 1704320001 PACKAGE SPEC. DOCUMENT NUMBER .

H
G
F
E
D
C
B
A

FUNCTIONAL SYMBOLS	THIS DRAWING CONTAINS INFORMATION THAT IS PROPRIETARY TO MOLEX ELECTRONIC TECHNOLOGIES, LLC AND SHOULD NOT BE USED WITHOUT WRITTEN PERMISSION										
	DIMENSION UNITS	SCALE	CURRENT REV DESC:							molex	
$\frac{F}{A} = 0$	mm	1:1	EC NO: 685874								
$\frac{F}{C} = 0$	GENERAL TOLERANCES (UNLESS SPECIFIED)		DRWN: TTAO03 2021/05/21							PRODUCT CUSTOMER DRAWING	
$\frac{F}{P} = 0$	ANGULAR TOL $\pm 0.5^\circ$		CHK'D: JKACHLIC 2021/11/23								
DIVISIONAL SYMBOLS	4 PLACES \pm		APPR: JKACHLIC 2021/11/23							SD-170432-002	
	3 PLACES \pm		INITIAL REVISION:								
	2 PLACES ± 0.25		DRWN: JGONZALEZ01 2010/05/06							MATERIAL NUMBER	
	1 PLACE ± 0.38		APPR: JJANTELEZIO 2011/01/27								
0 PLACES \pm		DRAFT WHERE APPLICABLE MUST REMAIN WITHIN DIMENSIONS		THIRD ANGLE PROJECTION		DRAWING		SERIES		SHEET NUMBER	
						C-SIZE		170432		4 OF 4	

DOCUMENT STATUS	P1	RELEASE DATE	2021/11/23 03:43:52
-----------------	----	--------------	---------------------

FORMATS: moxletr-01-0001-C
REVISION: J
DATE: 2020/11/14