

17250VA (6820VL)

DC Axial Fan

 $\Phi 172 \times 50^L$

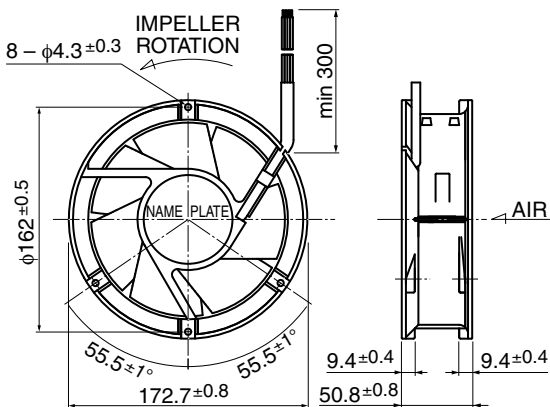

General Specifications

Motor Protection Auto Restart / Polarity Protection

Insulation Resistance 10M Ω or over with a DC500V Megger
Dielectric Withstand Voltage : AC700V 1s

Allowable Ambient : - 10°C ~ + 70°C (Operating)
Temperature Range : - 40°C ~ + 70°C (Storage)
non-condensing environment

Outline

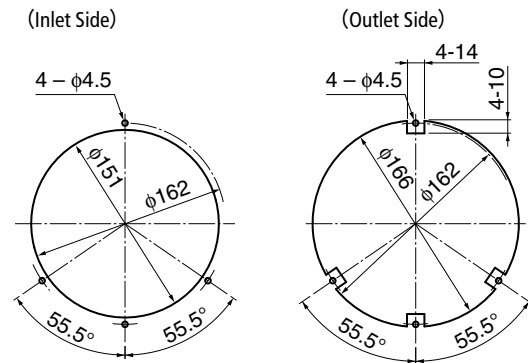


Expected Life

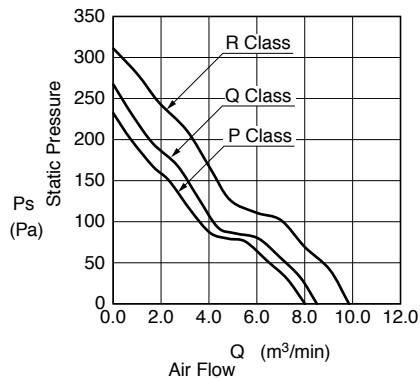
※ Failure Rate: 10% (L10 Life)

25°C 100,000 (Hours)

Panel Out-cuts



Characteristic Curves



Material

Casing : Aluminum (Black Painting)
Impeller : Plastic (Black) UL94V-0
Bearing : Ball Bearing
Lead Wire : UL10368 AWG22 + : Red, - : Black

Customize service for IP compatible type and Oil-proof type is available for this item.
Please contact to our sales representative for more detail.

Specifications

Model	Product No.	Rating Voltage	Operating Voltage	Current	Input Power	Speed	Max. Air Flow		Max. Static Pressure	Noise	Mass
		(V)	(V)				(m ³ /min) ^{*1}	(CFM) ^{*1}	(Pa) ^{*1}		
17250VA-24P-EA-	00	24	18.0 ~ 26.4	1.10	26.4	3750	8.0	282	232	0.93	830
17250VA-24Q-EA-	00			1.30	31.2	4000	8.5	300	267	1.07	
17250VA-24R-EA-	00			1.80	43.2	4600	9.8	346	312	1.25	
17250VA-48P-EA-	00	48	38.0 ~ 52.8	0.55	26.4	3750	8.0	282	232	0.93	
17250VA-48Q-EA-	00			0.65	31.2	4000	8.5	300	267	1.07	
17250VA-48R-EA-	00			0.90	43.2	4600	9.8	346	312	1.25	

Rotation: Counterclockwise as seen from the label side
Airflow Outlet: Label side

*1: Average Values in Free Air

General Specifications

Motor Type: DC Brushless Motor

Motor Protection: Auto Restart/Polarity Protection

Motor withstands reverse connection for positive and negative leads.

Insulation Resistance:

10M Ω or over with a DC500V Megger

Dielectric Withstand Voltage:

AC 700V 1s or 500V 1min

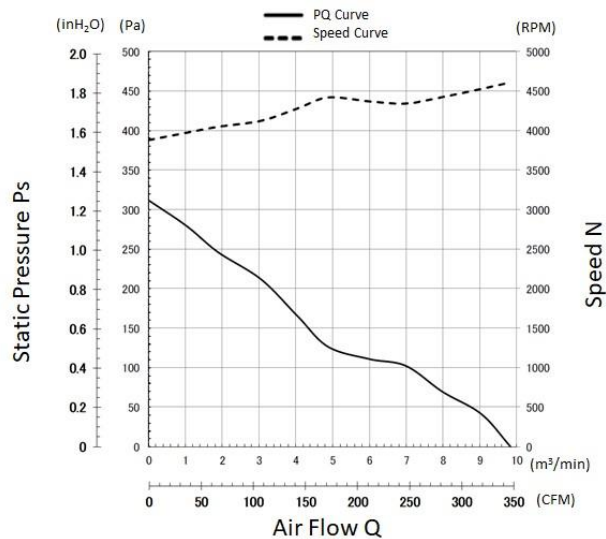
Allowable Ambient Temperature Range:

-10°C ~ +70°C (Operating)

-40°C ~ +70°C (Storage)

(non-condensing environment)

Characteristics Curves



PWM Benefits & Applications

PWM Benefits

- Increased Life Expectancy
- Energy Saving
- Lower Vibration
- Lower Noise
- Current Spike Prevention

PWM Applications

- Routers
- Switches
- Storage
- Data Centers
- Optical Repeaters
- Broadcast Equipment
- Inverters
- UPS
- Battery Chargers
- Fuel Cells
- Industrial Power Supplies
- Welders
- Plasma Cutters
- Instrumentation
- Test Equipment
- Enclosures and more

- Customized fan performances at multiple operating points.
- Peak efficiency resulting in lower total ownership costs.
- Cost effective and better reliability.

Life Expectancy L10

25°C 100,000 Hours

Specifications

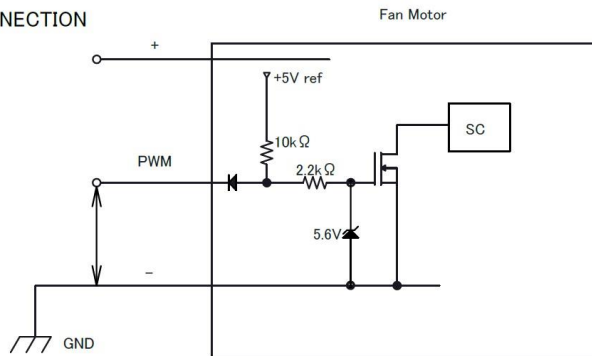
MODEL	Rated Voltage	Operating Voltage	Current		Input Power		Speed	Max. Air Flow		Max. Static Pressure		Noise	Mass
	(V)	(V)	Avg	Max	Avg	Max	(min ⁻¹) ¹	(CFM)	(m ³ /min)	(inH ₂ O)	(Pa)	(dB) ¹	(g)
	(V)	(V)	(A) ¹	(A) ¹	(W) ¹	(W) ¹	(min ⁻¹) ¹	(CFM)	(m ³ /min)	(inH ₂ O)	(Pa)	(dB) ¹	(g)
17250VA-48R-EU-01	48	38.0 ~ 52.8	0.90	1.10	43.20	52.80	4600	346.1	9.80	1.25	312	62.0	830

*1: Values in Free Air

PWM Specifications

PWM CONTROL

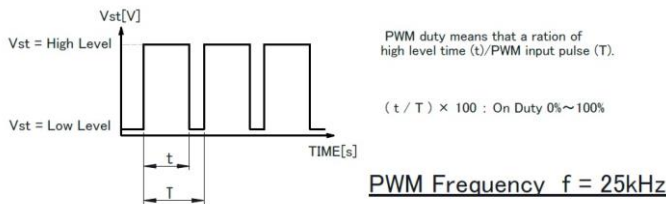
● CONNECTION



1. Vst : PWM CONTROL VOLTAGE

- Vst = Low Level (0V ~ 0.4V) → Stop (On Duty 0%)
- Vst = High Level (3.3V ~ 5.0V) → Full Speed (On Duty 100%)
- Vst = Open → Full Speed

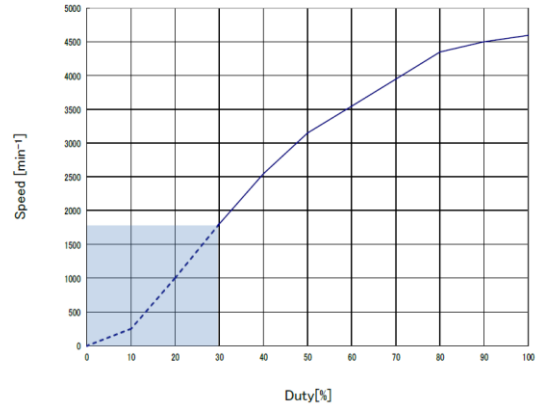
2. PWM Duty & PWM Input Pulse



PWM Characteristics Curve

REFERENCE PWM Duty VS Speed

Conditions : at rating voltage, Vst(H)=5.0V, f=25kHz, Ta=25°C



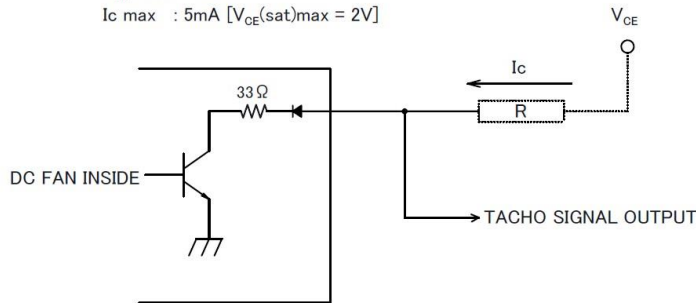
3. The condition for PWM control are as follows.

- In case of PWM control, it is suggested to confirm the operation of fan installed inside the system. Fan Motor may not start up caused by PWM control at very Low Speed Condition.
- To run at Rating Voltage.
- Please use the start with Duty 30% or more at 25kHz. [At rated voltage input, Ambient temperature 25°C]

TACHO Specifications

TACHO SIGNAL

1. OUTPUT CIRCUIT : OPEN COLLECTOR
2. SPECIFICATION
 - Ta=25°C
 - Absolute Maximum Ratings at Ta=25°C
 - V_{CE} max : +52.8V
 - I_C max : 5mA [V_{CE(sat)}max = 2V]

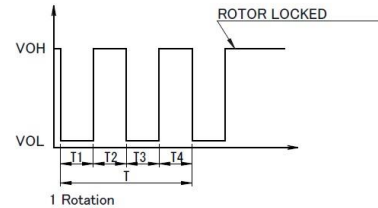


TACHO SIGNAL CIRCUIT

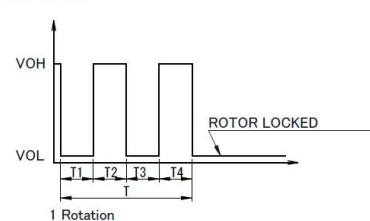
3. OUTPUT WAVEFORM : AT RATED VOLTAGE

OUTPUT SIGNAL VOLTAGE

3-1 Case-1

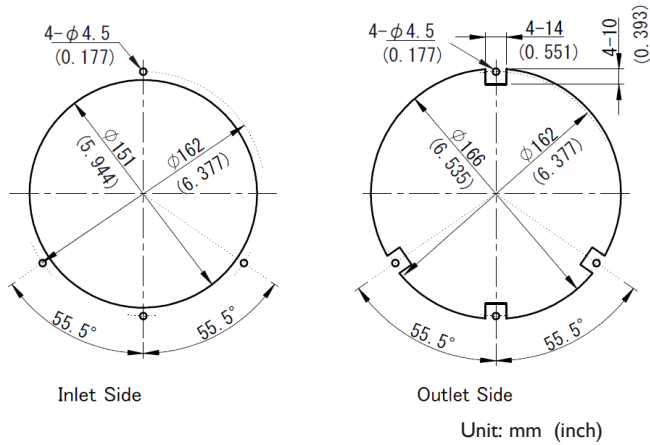


3-2 Case-2



- 1) When the rotor is locked at VOH position of signal, signal keeps VOH position.
- 2) When the rotor is locked at VOL position of signal, signal keeps VOL position.
- 3) $T = T_1 + T_2 + T_3 + T_4 = 60 / m = 1 \text{ rotation}$
 $m : \text{min}^{-1}$
 Tach Duty Cycle = 50% ± 10%

Panel Cut-Outs

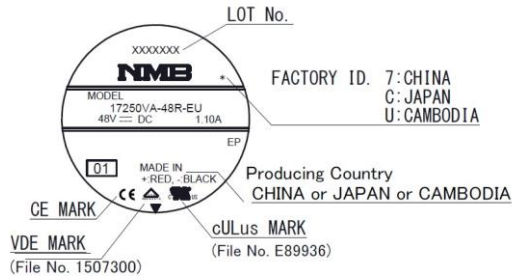


Materials

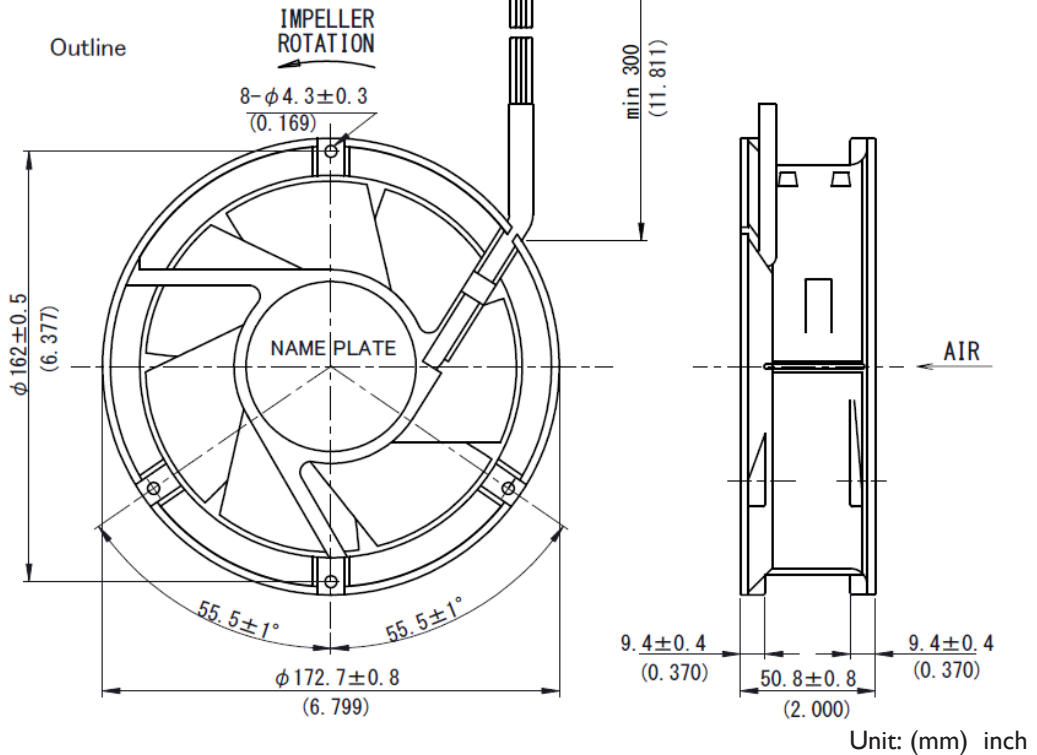
- Casing : Aluminum (Paint Black)
- Impeller : Plastic (Black UL94V-0)
- Bearing : Ball Bearing
- Lead Wire : UL10368 AWG22
 - (+) : Red (-) : Black
 - PWM : Brown Tach : White

Outline

Name Plate



Outline



General Specifications

Motor Protection:

Auto Restart/Polarity Protection

Insulation Resistance:

10M Ω or over with a DC500V Megger

Dielectric Withstand Voltage: AC 700V 1s

Allowable Ambient Temperature Range:

-10°C ~ +70°C (Operating)

-40°C ~ +70°C (Storage)

IP Code: IP69K

Expected Life

25°C 100,000 Hours (L10)

Material

Casing : Aluminum (Black)

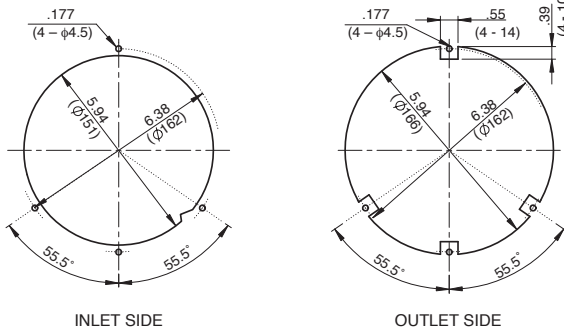
Impeller : Plastic (Black) UL94V-0

Bearing : Ball Bearing

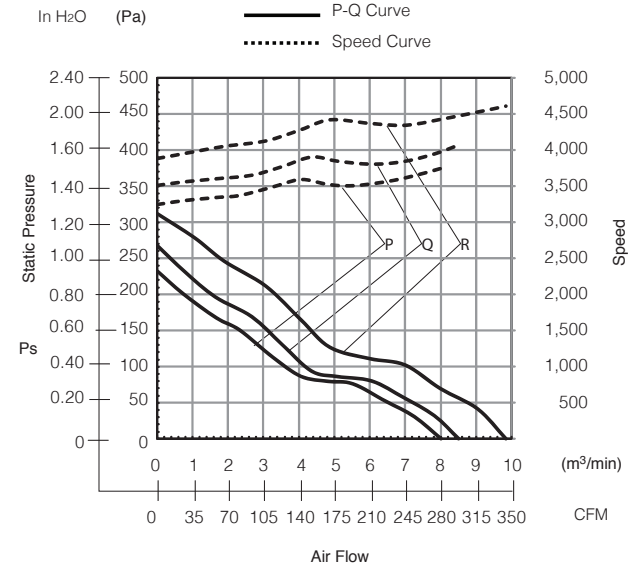
Lead Wire : UL10368, AWG22, +Red, -Black

Panel Cut-Outs

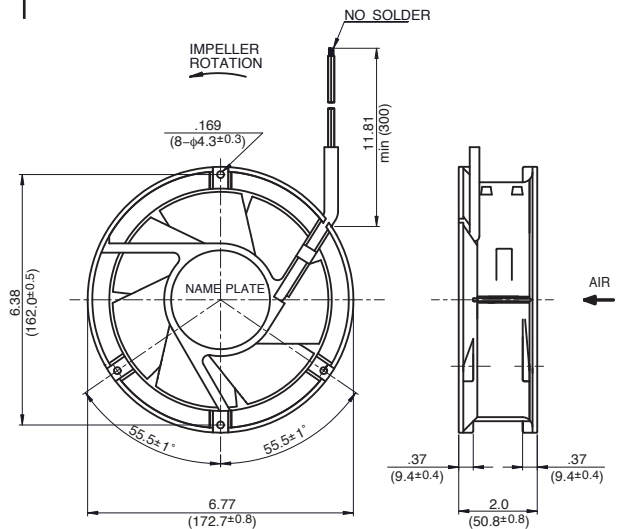
Units: $\frac{\text{inch}}{\text{mm}}$



Characteristic Curves



Outline



Specifications

MODEL	Rated Voltage	Operating Voltage	Current	Input Power	Speed	Max. Air Flow		Max. Static Pressure		Noise	Mass
	(V)	(V)	(A) ^{*1}	(W) ^{*1}	(min ⁻¹) ^{*1}	CFM ^{*1}	(m ³ /min) ^{*1}	in H ₂ O	(Pa) ^{*1}	(dB) ^{*1}	(g)
17250VA-24P-GA-00	24	18.0 ~ 26.4	1.10	26.4	3750	282.52	8.0	.93	232.0	56.0	950
17250VA-24Q-GA-00	24	18.0 ~ 26.4	1.30	31.2	4000	300.17	8.5	1.07	267.0	58.0	950
17250VA-24R-GA-00	24	18.0 ~ 26.4	1.80	43.2	4600	346.08	9.8	1.25	312.0	62.0	950
17250VA-48P-GA-00	48	38.0 ~ 52.8	0.55	26.4	3750	282.52	8.0	.93	232.0	56.0	950
17250VA-48Q-GA-00	48	38.0 ~ 52.8	0.65	31.2	4000	300.17	8.5	1.07	267.0	58.0	950
17250VA-48R-GA-00	48	38.0 ~ 52.8	0.90	43.2	4600	346.08	9.8	1.25	312.0	62.0	950

Rotation: Clockwise

Airflow Outlet: Air Out Over Struts

*1: Average Values in Free Air

Note: PWM/Locked Rotor/Tach Available