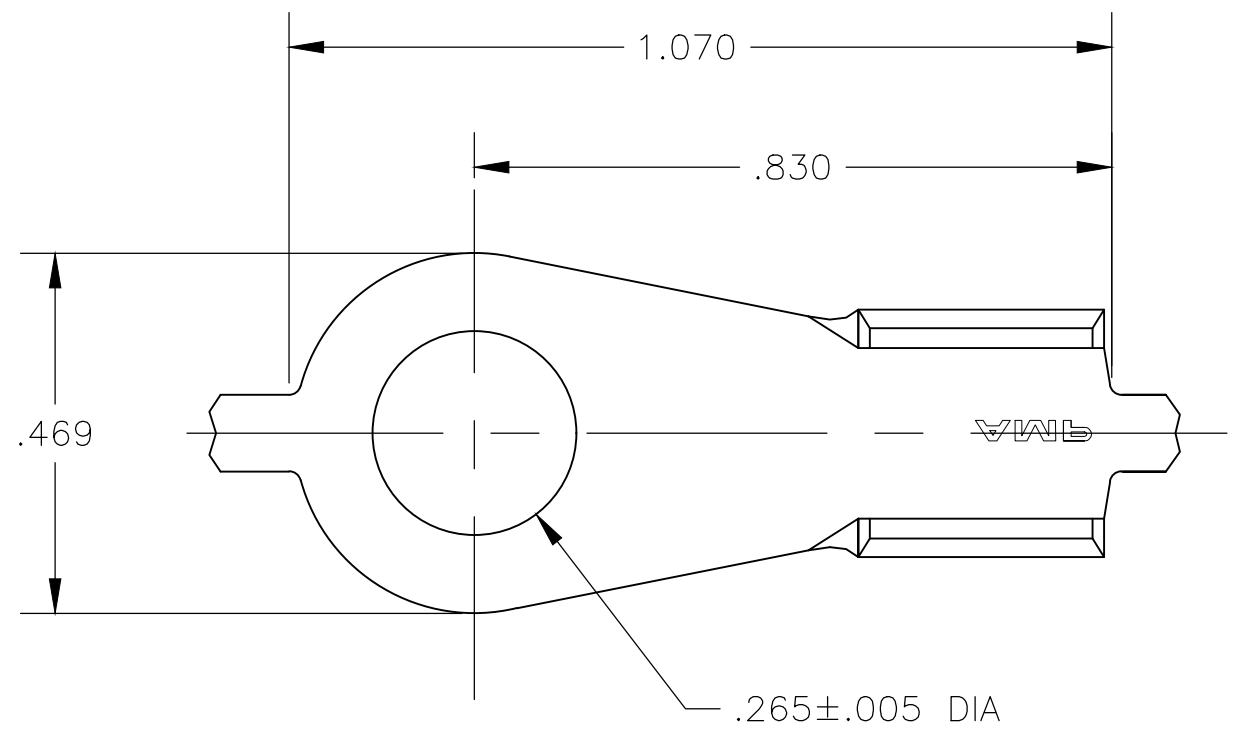
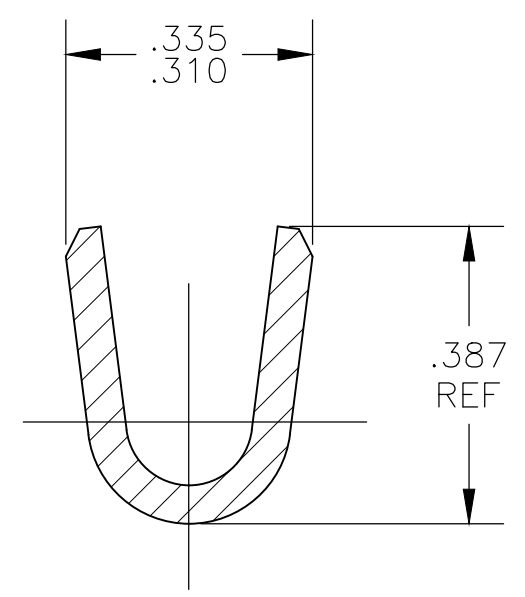
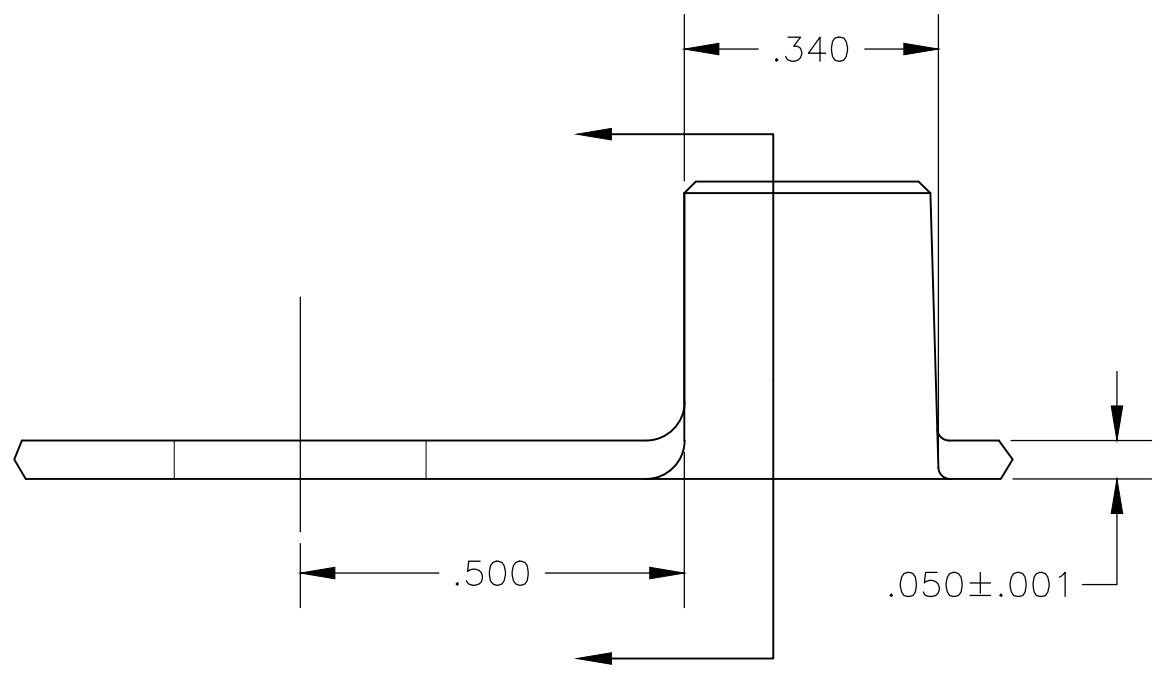


THIS DRAWING IS UNPUBLISHED. RELEASED FOR PUBLICATION
 © COPYRIGHT - By - ALL RIGHTS RESERVED.

LOC	DIST	REVISIONS			
P	LTR	DESCRIPTION	DATE	DWN	APVD
AF	50	B4	REVISED PER ECR-19-017984	27NOV2019	PC MK



- 1 CONTINUOUS STRIP ON REELS.
- △2 TIN PLATING
- △3 PRELIMINARY - NOT FOR PRODUCTION
- △4 SPLICE FREE REELS.
- 5 WIRE SIZE #10-#6



MATERIAL	PART NUMBER
OBSOLETE TEMP H00 COPPER	△3 1742456-3-△4
TEMP H00 COPPER	1742456-2
OBSOLETE 082 BRASS	△3 1742456-1

THIS DRAWING IS A CONTROLLED DOCUMENT.		DWN JR RUTH 01AUG06	STE TE Connectivity	
DIMENSIONS: INCHES		CHK D DECKER 01AUG06		
TOLERANCES UNLESS OTHERWISE SPECIFIED:		APVD D DECKER 01AUG06	NAME	
0 PLC ± - 1 PLC ± - 2 PLC ± - 3 PLC ± .010 4 PLC ± - ANGLES ± 1°		PRODUCT SPEC	RING TONGUE	
MATERIAL SEE TABLE		FINISH △2	APPLICATION SPEC	RESTRICTED TO
		WEIGHT	SIZE A3	CAGE CODE 00779
		CUSTOMER DRAWING	DRAWING NO C-1742456	REV B4
		SCALE 4:1	SHEET 1 OF 1	