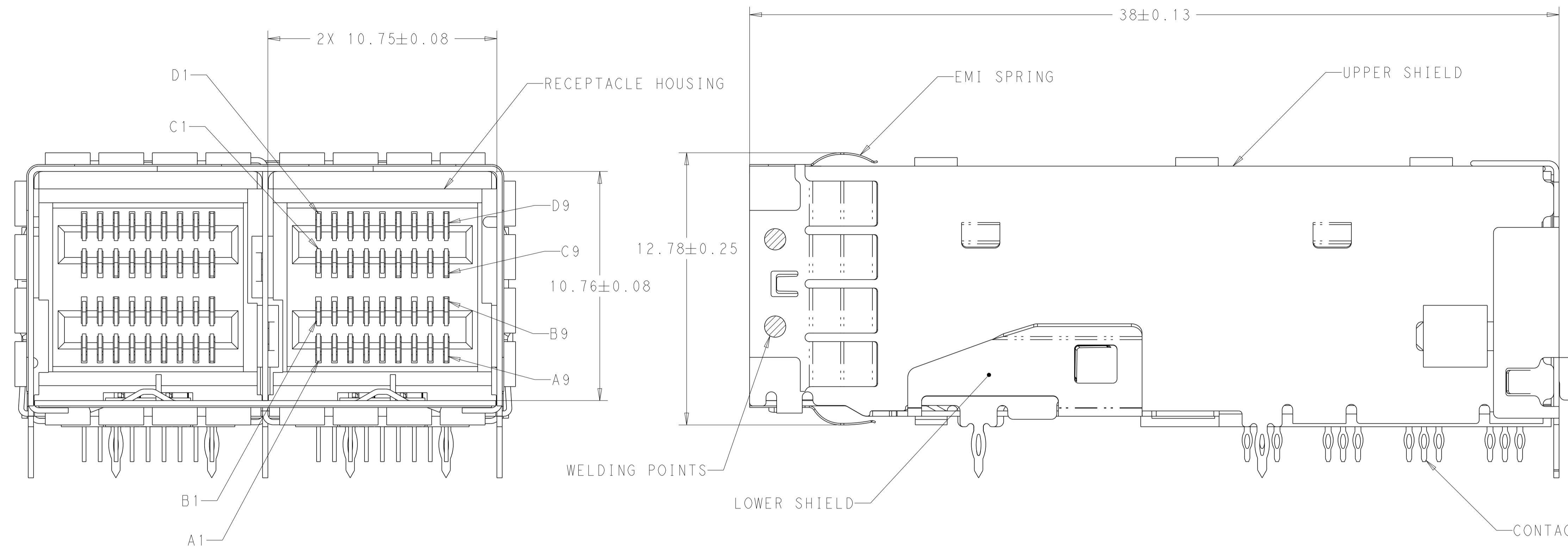
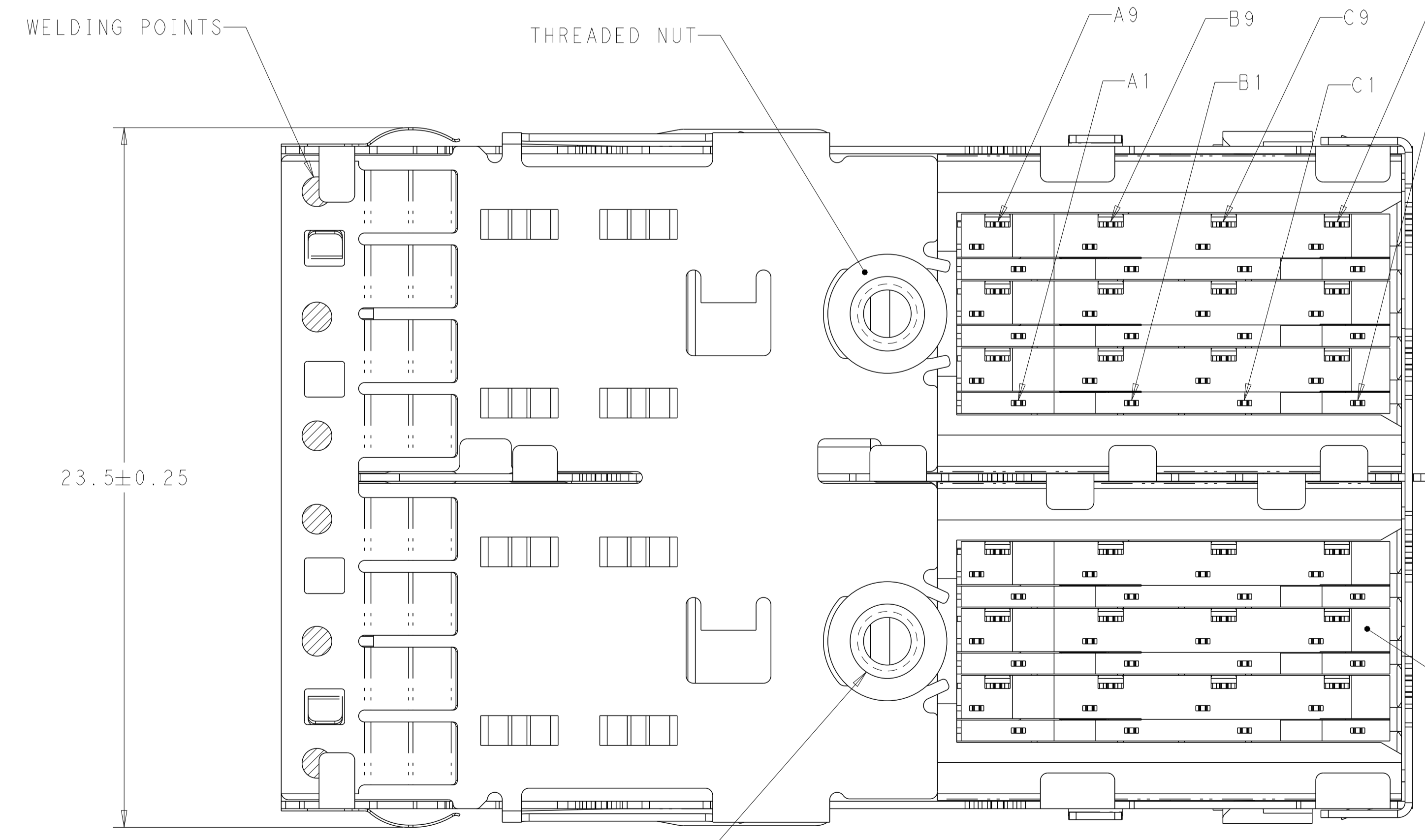


| LOC | DIST | REVISIONS | | | |
|-----|------|---------------------------|------------|-----|------|
| P | LTN | DESCRIPTION | DATE | DWN | APVD |
| A | | REVISED PER ECO-14-018497 | 16DEC2014 | AP | DG |
| B | | REVISED PER ECO-16-006997 | 09MAY2016 | JY | SH |
| C | | REVISED PER ECO-16-007813 | 23MAY2016 | JY | SH |
| D | | REVISED PER ECN-22-164090 | 12JULY2022 | AK | SZ |



- MATERIALS
 RECEPTACLE HOUSING, LCP, BLACK, UL94V-0 RATED
 SHIELD ASSY: NICKEL SILVER COPPER ALLOY
 CONTACTS: COPPER ALLOY
 EMI SPRING: COPPER ALLOY
 THREADED NUT: BRASS
 CHICKLETS: LCP, BLACK, UL 94V-0 RATED
 - FINISH
 EMI SPRING: TIN PLATE OVER NICKEL PLATE
 NON-PLATED EDGES PERMISSABLE
 THREADED NUT: NICKEL PLATE
- △ CONTACT FINISH: CONFORMS TO THE REQUIREMENTS OF TE PRODUCT SPECIFICATION, 108-2462. BASED ON EIA/ECA-364-1000.01A. (CONTROLLED ENVIRONMENT APPLICATIONS) ON MATING END. TIN PLATED ON PCB TAIL
- THREAD LENGTH OF FASTENER = PCB THICKNESS + 1.45 MAX
 - RECOMMENDED TRACE KEEP OUT ZONE.
 - 2149966-6 SAME AS 2149966-1 EXCEPT CHANGE IN UPPER & LOWER EMI SPRINGS.



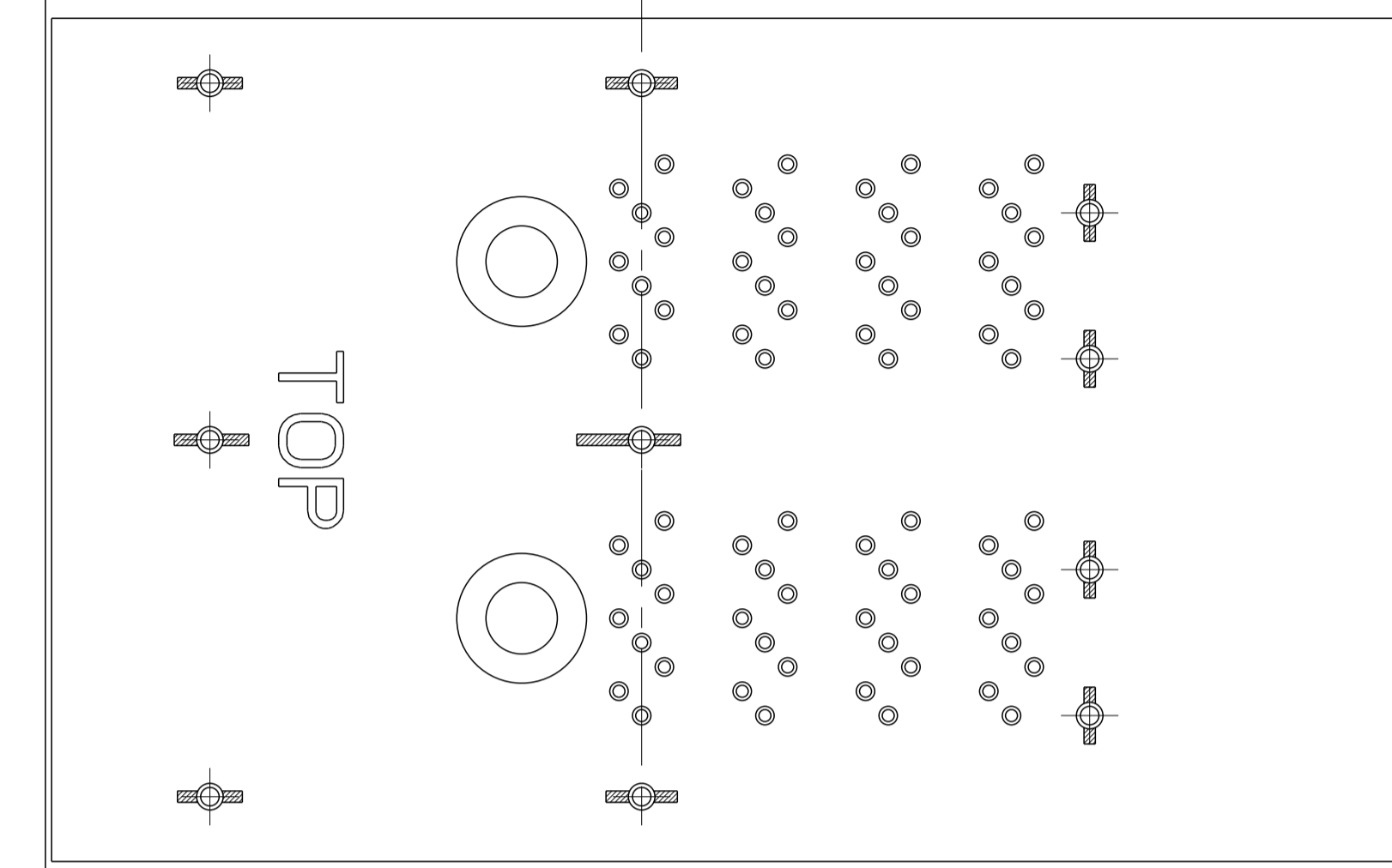
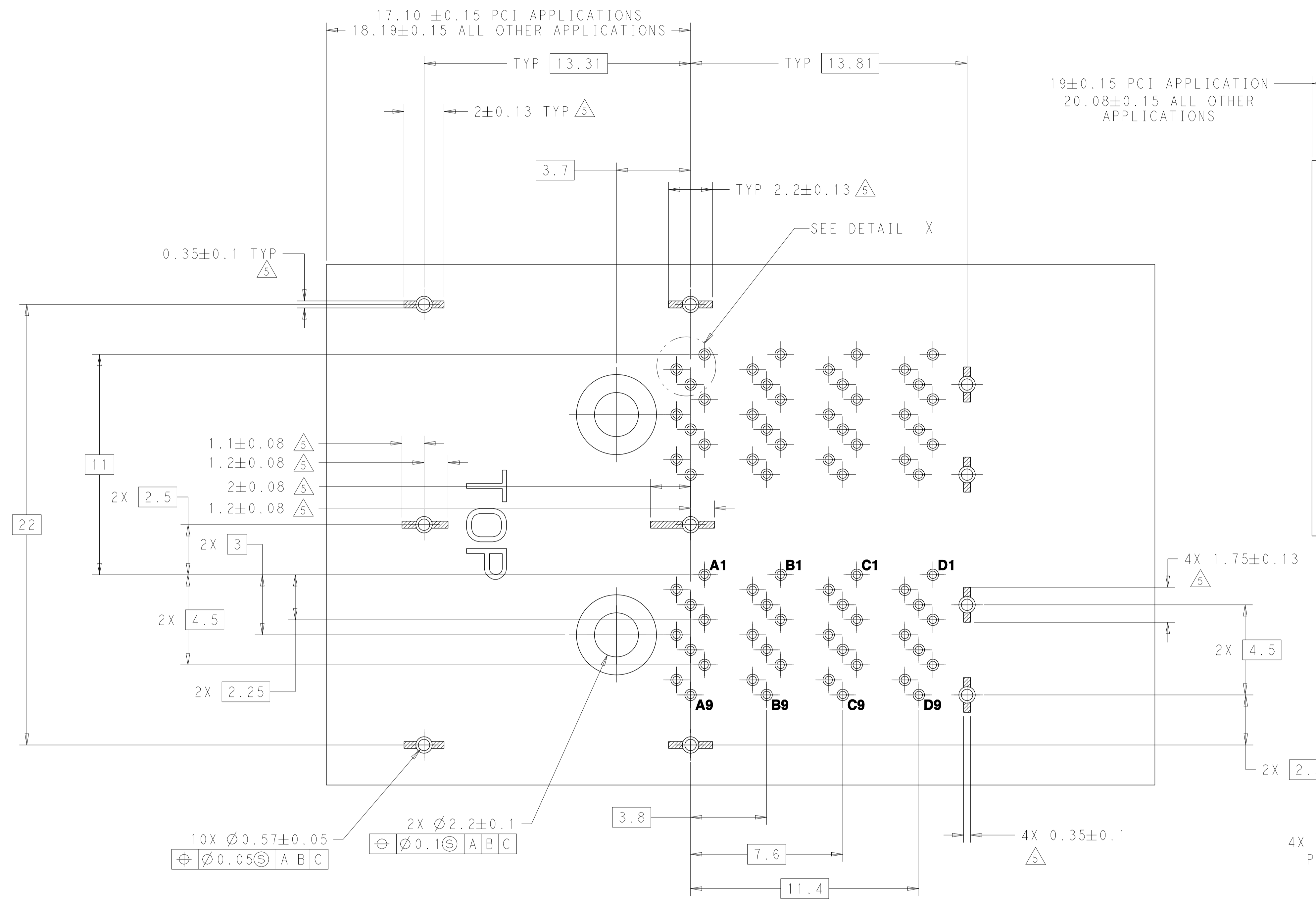
| | | |
|-----|-----------|-------------|
| △ 6 | TRAY | 2149966-6 |
| | TAPE&REEL | 2149966-5 |
| | TRAY | 2149966-1 |
| | PACKAGE | PART NUMBER |

THIS DRAWING IS A CONTROLLED DOCUMENT.

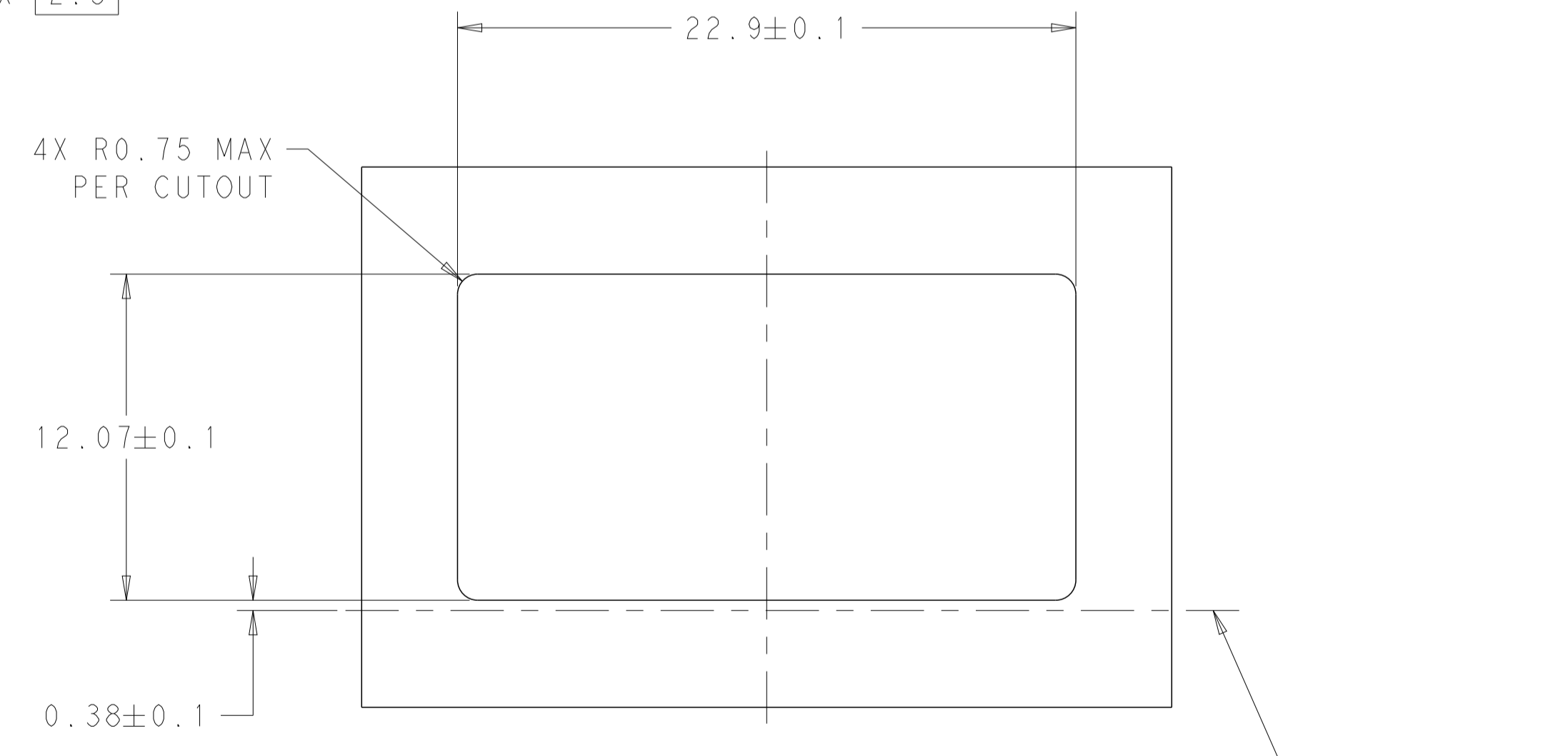
| | | | |
|-------------|--|-------------------------|------------------------------|
| DIMENSIONS: | TOLERANCES UNLESS OTHERWISE SPECIFIED: | DWN P. KERLIN 20SEP2010 | CHK J. SECHRIST 20SEP2010 |
| mm | 0 PLC ± | APVD | NAME |
| | 1 PLC ± | PRODUCT SPEC | 108-2462 |
| | 2 PLC ± | APPLICATION SPEC | 114-13316 |
| | 3 PLC ± | WEIGHT | |
| | 4 PLC ± | Customer Drawing | SCALE 8:1 SHEET 1 OF 3 REV D |
| | ANGLES | | |
| | FINISH | | |

Customer Drawing

| LOC | DIST | REVISIONS | | | |
|-----|------|-------------|------|-----|------|
| P | LYR | DESCRIPTION | DATE | OWN | APVD |
| - | - | SEE SHEET 1 | - | - | - |

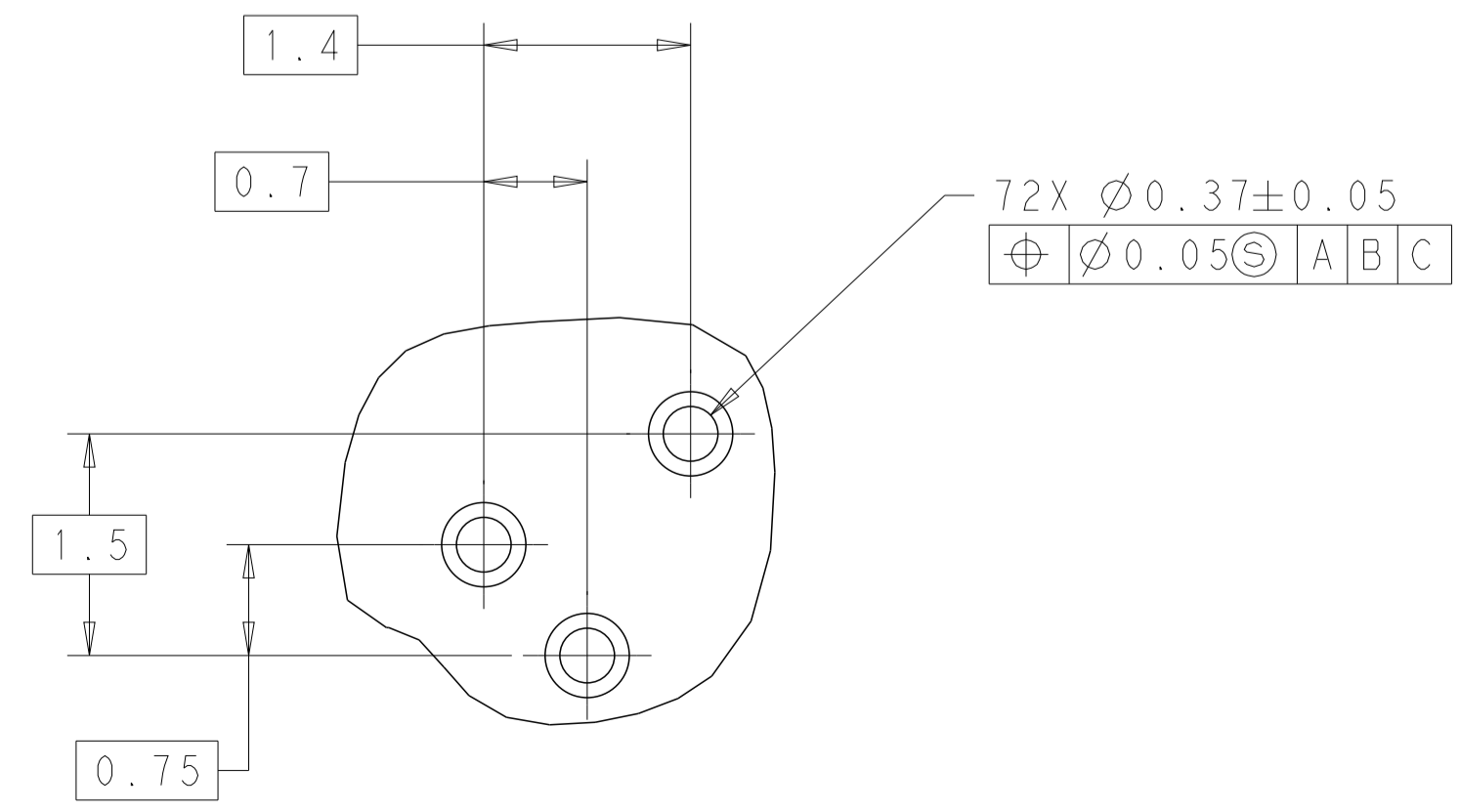
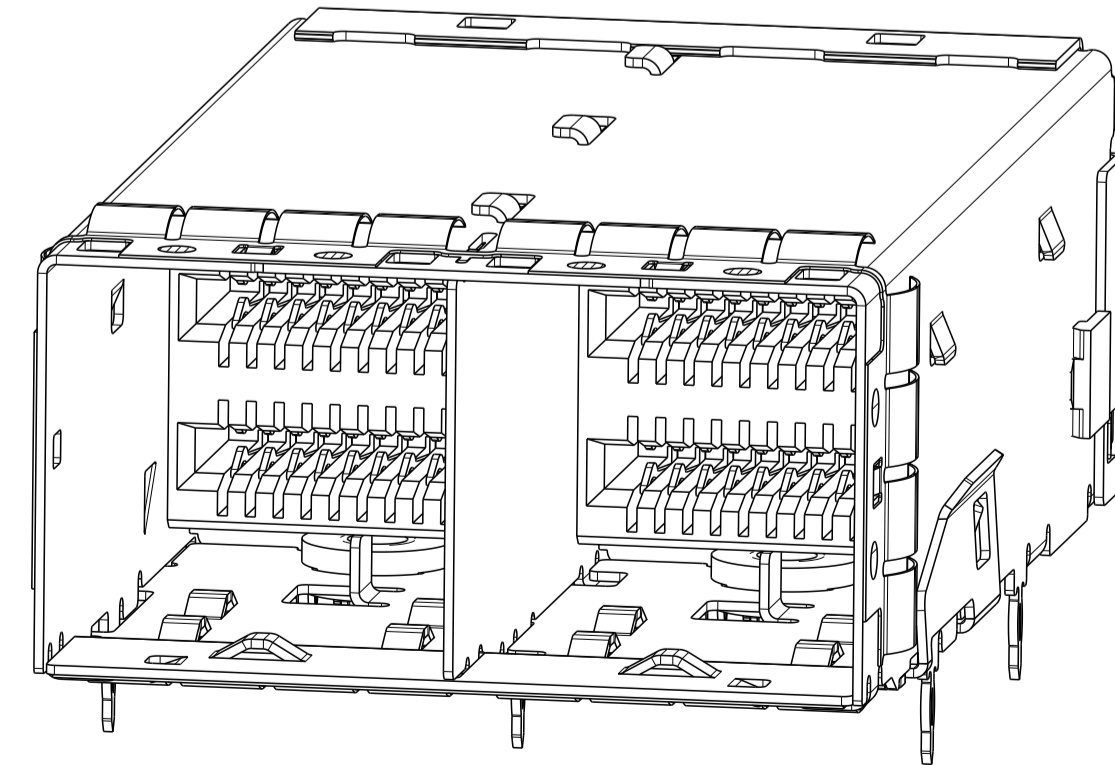


PANEL/PCB ASSEMBLY
SCALE=5:1



RECOMMENDED I/O PANEL CUTOUT
SCALE=5:1

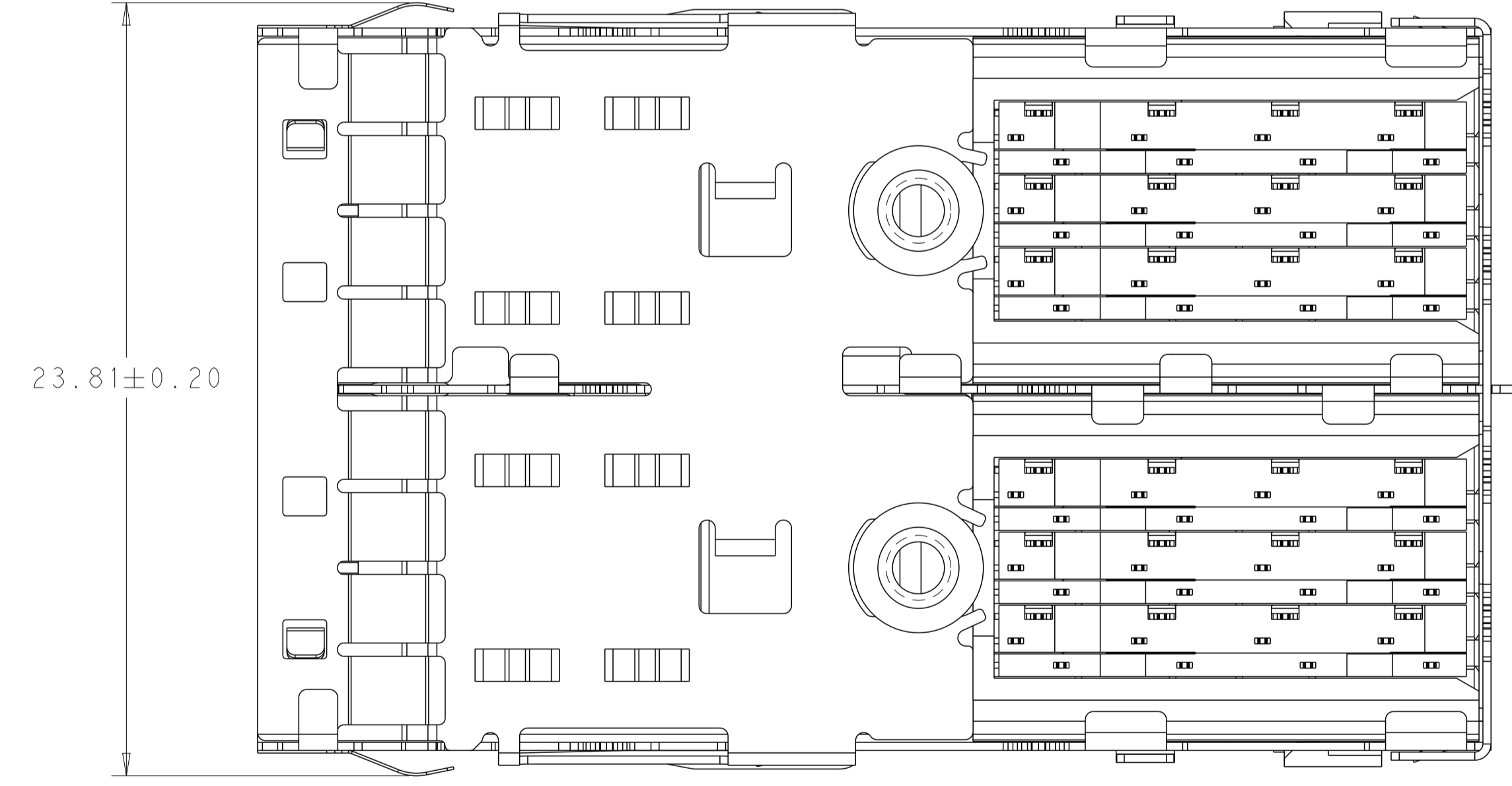
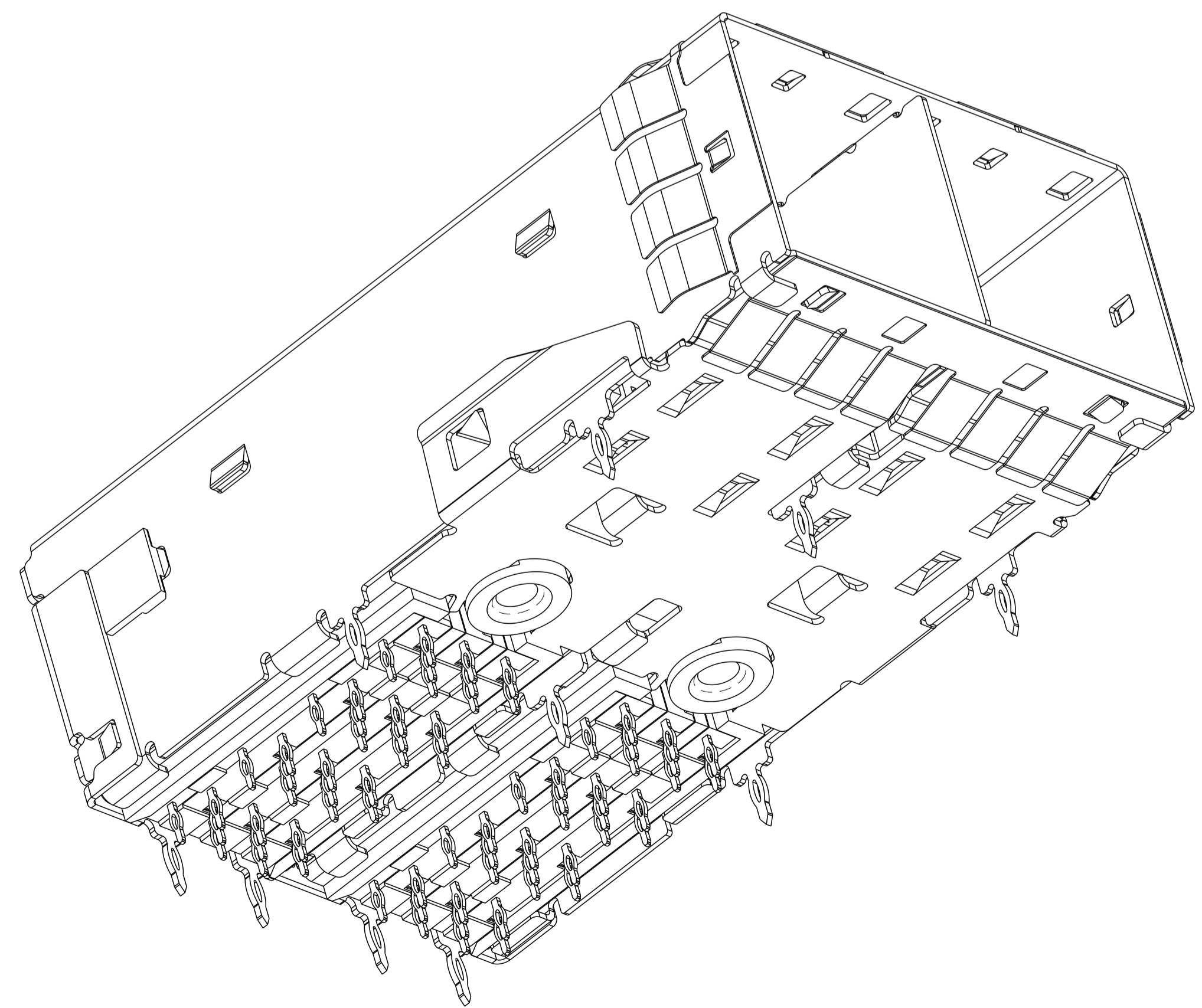
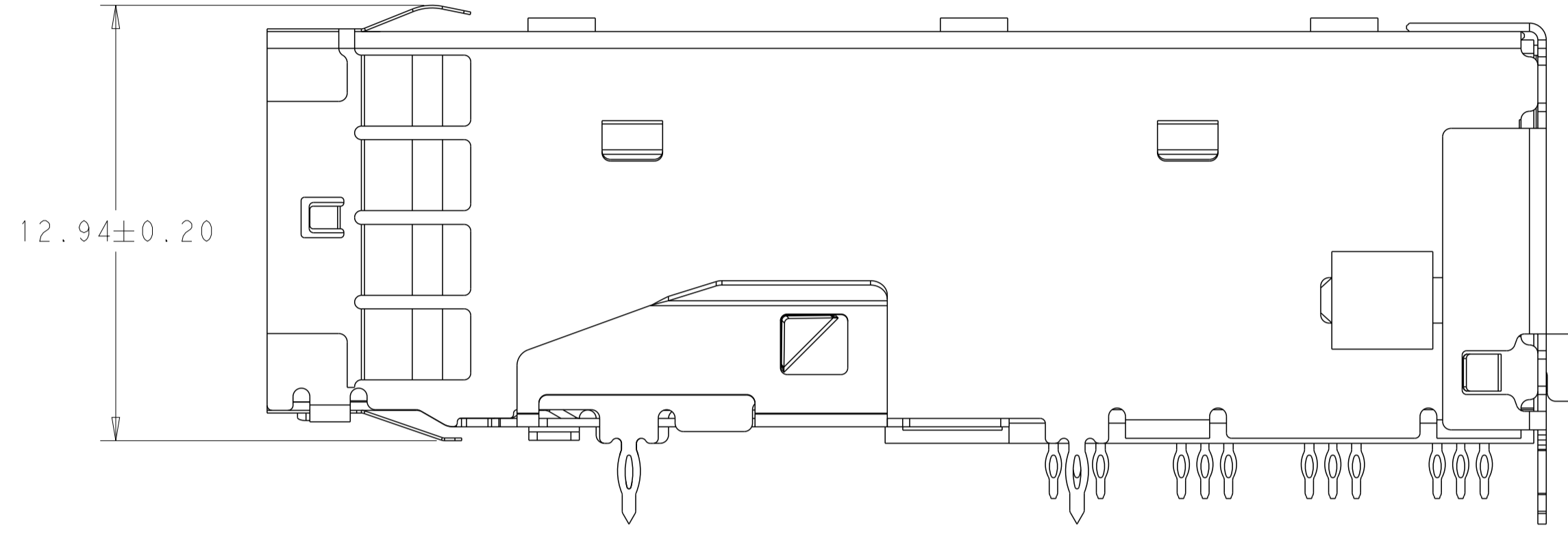
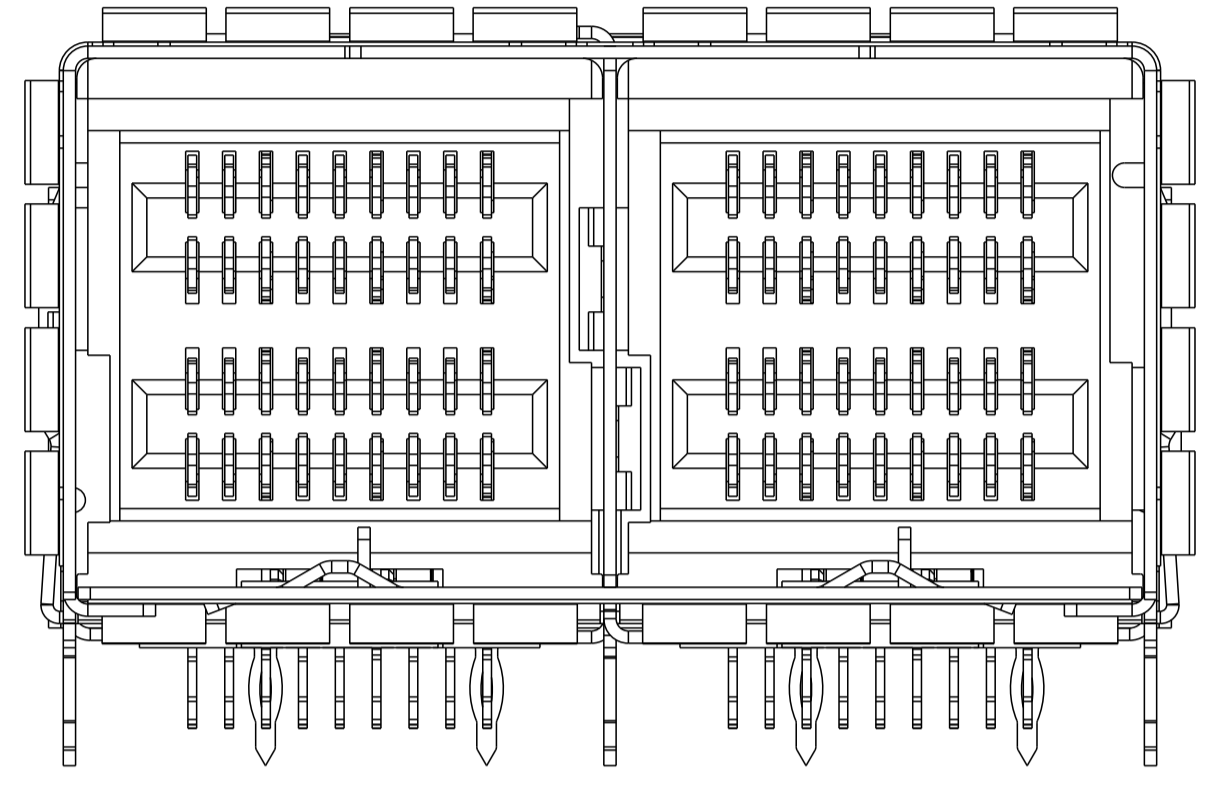
RECOMMENDED PCB LAYOUT



DETAIL X
SCALE 20:1

| | | | |
|--|---|---------------------------|--------------------------------------|
| THIS DRAWING IS A CONTROLLED DOCUMENT. | | OWN P. KERLIN 20SEP2010 | TE Connectivity |
| DIMENSIONS: mm | | CHK J. SECHRIST 20SEP2010 | |
| TOLERANCES UNLESS OTHERWISE SPECIFIED: | | APVD | NAME |
| 0 PLC | ± | PRODUCT SPEC | RECEPTACLE ASSEMBLY, MINI-SAS HD, 2X |
| 2 PLC | ± | APPLICATION SPEC | |
| 5 PLC | ± | SIZE | 114-13316 |
| 4 PLC | ± | WEIGHT | A100779C=2149966 |
| ANGLES | ± | MATERIAL | Customer Drawing |
| FINISH | | SCALE | 8:1 |
| | | SHEET | 2 OF 3 |
| | | REV | D |

| LOC | | DIST | | REVISIONS | | | |
|-----|-----|-------------|------|-----------|------|--|--|
| P | LYN | DESCRIPTION | DATE | OWN | APVD | | |
| - | - | SEE SHEET 1 | - | - | - | | |
| | | | | | | | |
| | | | | | | | |



2149966-6 AS SHOWN

THIS DRAWING IS A CONTROLLED DOCUMENT. **TE Connectivity**

| | | | |
|-----------------------|---|---|---|
| DIMENSIONS: mm | TOLERANCES UNLESS OTHERWISE SPECIFIED: 0 PLC ± 1 PLC ± 2 PLC ± 3 PLC ± 4 PLC ± ANGLES ± FINISH | OWN: P. KERLIN 20SEP2010 CHK: J. SECHRIST 20SEP2010 APVD: - PRODUCT SPEC: 108-2462 APPLICATION SPEC: 114-13316 WEIGHT: - Customer Drawing | TE Connectivity NAME: RECEPTACLE ASSEMBLY, MINI-SAS HD, 2X SIZE: A1 CAGE CODE: 100779 DRAWING NO: C=2149966 RESTRICTED TO: - SCALE: 8:1 SHEET 3 OF 3 REV D |
|-----------------------|---|---|---|