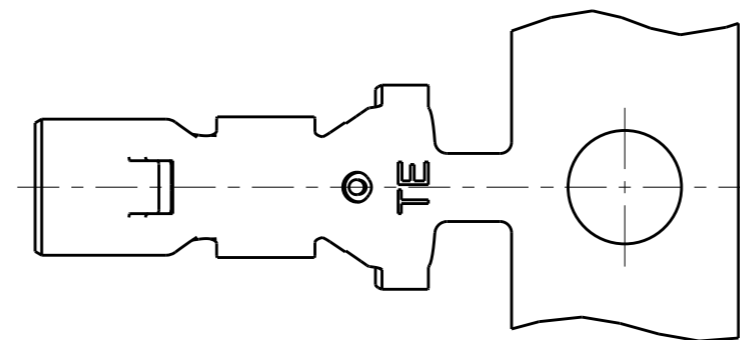
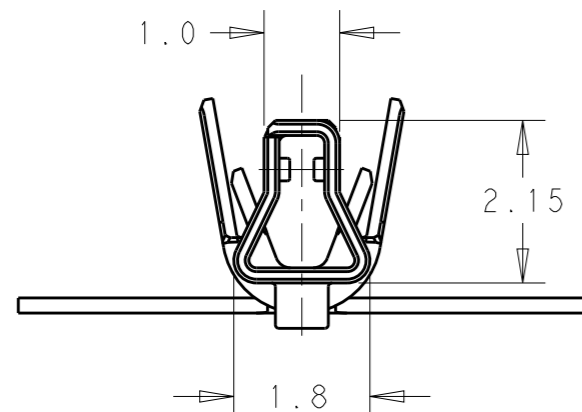
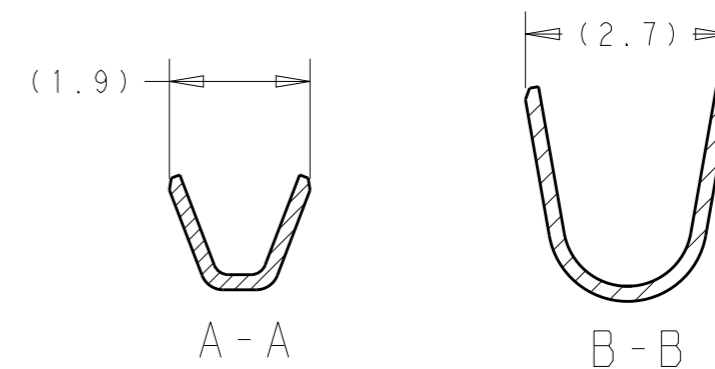
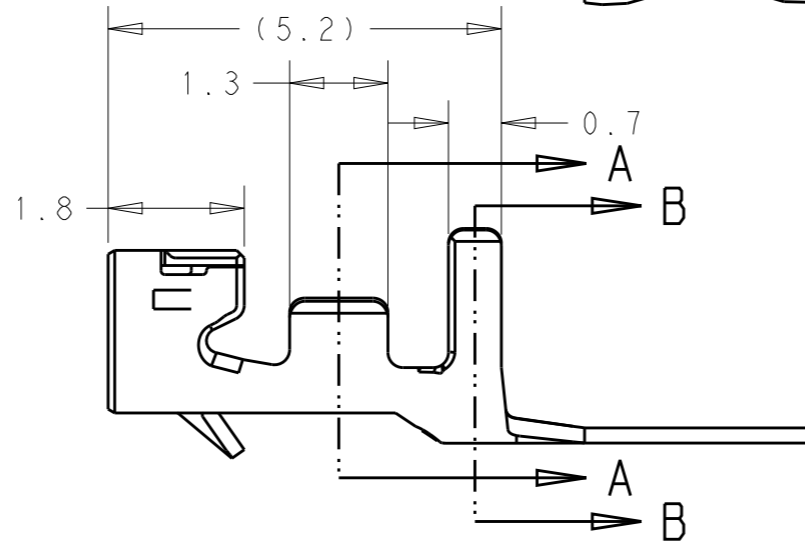
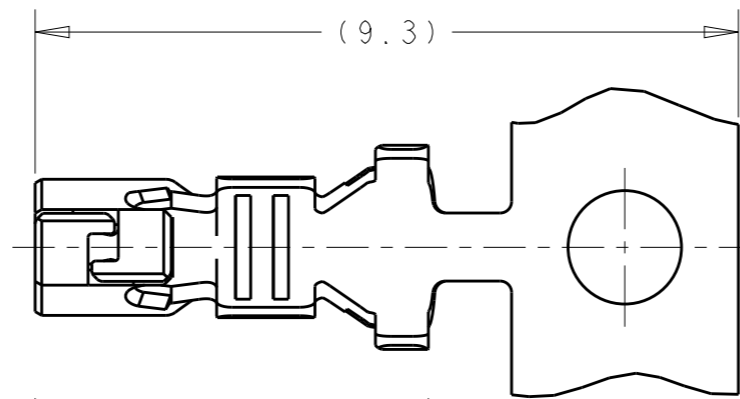


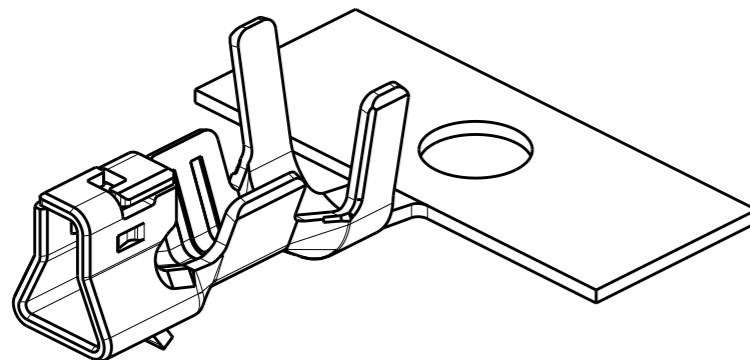
THIS DRAWING IS UNPUBLISHED. RELEASED FOR PUBLICATION 2017  
 © COPYRIGHT 2017 BY - ALL RIGHTS RESERVED.

REVISIONS


P	LTR	DESCRIPTION	DATE	DWN	APVD
	A1	RELEASED	04APR2018	K.S	D.Z
	A2	ADD 2318468-2	17OCT2018	M.M	D.Z



1. APPLICABLE PLUG HOUSING P/N: X-1376477-X



Ø1.2 ~ Ø1.9mm	AWG #26 ~ #22 (0.12~0.38mm <sup>2</sup> )	SAME WITH 2318468-1 BUT WITH ANTI-FRETTING LUBRICANT.	2318468-2
Ø1.2 ~ Ø1.9mm	AWG #26 ~ #22 (0.12~0.38mm <sup>2</sup> )	PRE TIN PLATED COPPER ALLOY (0.2+)	2318468-1
INSULATION DIA.	WIRE RANGE	MATERIAL & FINISH	PART No.

THIS DRAWING IS A CONTROLLED DOCUMENT.		DWN K.SAKAI 02MAY2017	 TE Connectivity	
DIMENSIONS: mm		CHK DANIEL ZHANG 02MAY2017		
TOLERANCES UNLESS OTHERWISE SPECIFIED: ±0.2		APVD DANIEL ZHANG 02MAY2017	NAME 2.5mm SIGNAL MATE CONNECTOR RECEPTACLE CONTACT	
0 PLC ± 1 PLC ± 2 PLC ± 3 PLC ± 4 PLC ± ANGLES ±3°		PRODUCT SPEC 108-5703	SIZE A3	
MATERIAL SEE TABLE		APPLICATION SPEC 114-5286	CAGE CODE -	DRAWING NO C-2318468
FINISH SEE TABLE		WEIGHT 0.08g	RESTRICTED TO -	SCALE 10:1
		CUSTOMER DRAWING	SHEET 1 OF 1	REV A1