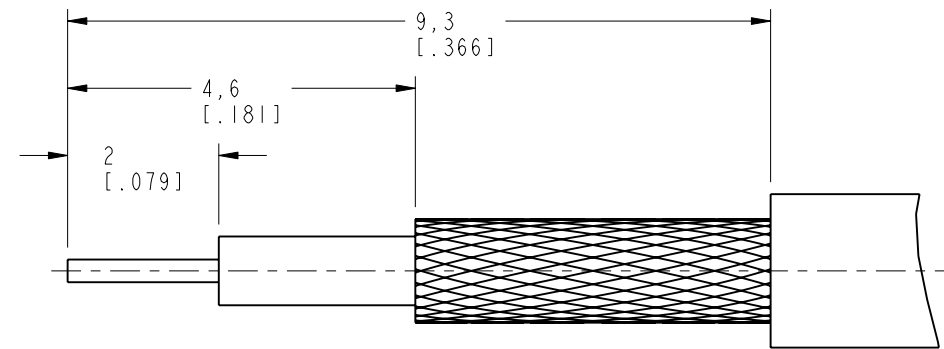


NOTES:

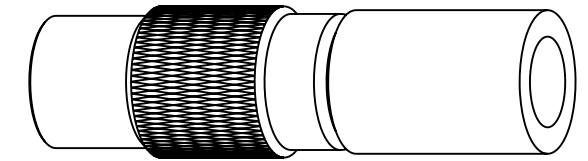
1. MATERIALS AND FINISHES:
 FERRULE - COPPER, GOLD PLATING
 BODY - BRASS, GOLD PLATING
 CONTACT - BERYLLIUM COPPER, GOLD PLATING
 INSULATOR - PTFE, NATURAL
2. ELECTRICAL:
 A. IMPEDANCE: 50 OHM, NOMINAL
 B. FREQUENCY RANGE: 0-6 GHz
 C. D.W.V: 500 VRMS, MIN.
3. MECHANICAL:
 A. DURABILITY: 500 CYCLES MIN.
 B. TEMPERATURE RANGE: -65°C TO +165°C
4. CRIMPED FERRULE HEX CRIMP SIZE .128"
5. CONTACT PIN TO SOLDER
6. SHOWS CABLE ENTRY DIMENSIONS.

THIRD ANGLE PROJ.

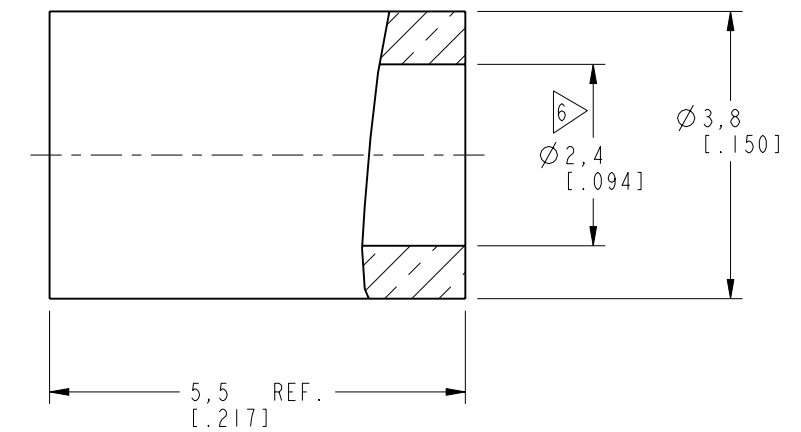
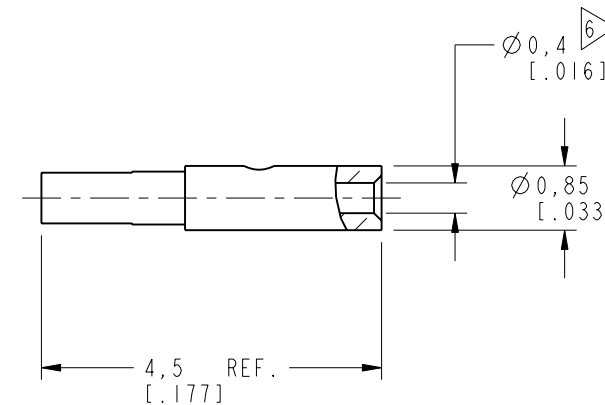
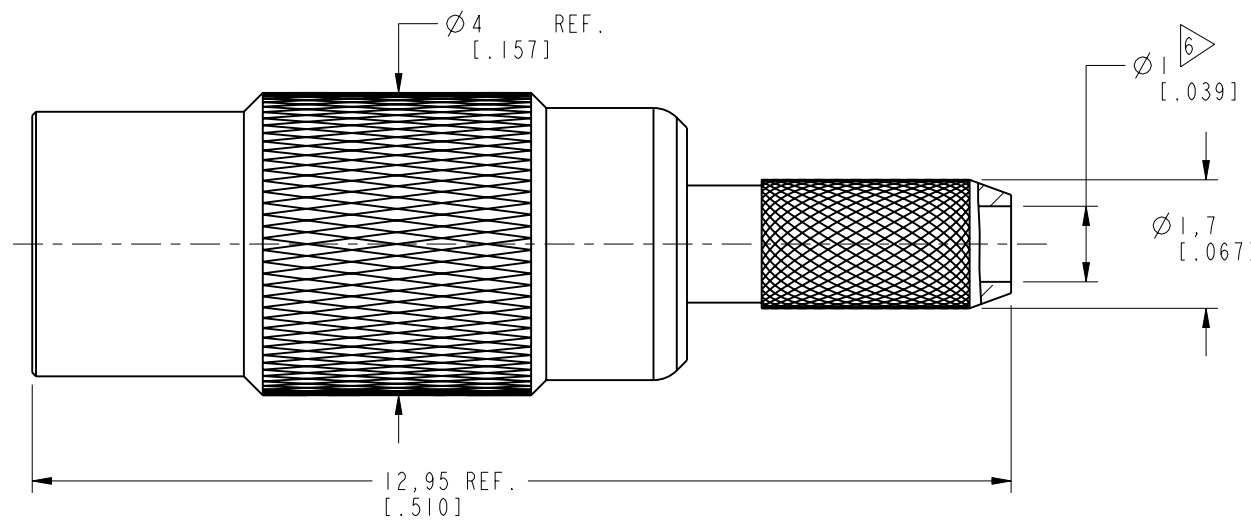
REVISIONS				
REV	DESCRIPTION	DATE	ECN	APPR
A	MODIFY FERRULE LENGTH	12-Jan-02	----	GRS
D	SYNC, CORRECT ALL LENGTH	15-Oct-18	09361	SH



RECOMMENDED
CABLE STRIPPING DIM'S



SCALE 5.000



CUSTOMER OUTLINE DRAWING
ALL OTHER SHEETS ARE FOR INTERNAL USE ONLY

UNLESS OTHERWISE SPECIFIED, DIMENSIONS ARE IN METRIC AND TOLERANCES ARE: <0.5mm ±0.05mm 0.5 - 6mm ±0.1mm 6 - 30mm ±0.2mm 30 - 120mm ±0.3mm ANGLES ±1°	MATERIAL	DRAWN	DATE	TITLE MMCX CRIMP JACK (FOR RG-178B/U, 196A/U CABLE)		Amphenol RF www.amphenolrf.com		
	SEE NOTES	M. ZHANG	12-Oct-18					
NOTICE - These drawings, specifications, or other data (1) are, and remain the property of Amphenol corp. (2) must be returned upon request; and (3) are confidential and not to be disclosed to any person other than those to whom they are given by Amphenol Corp. the furnishing of these drawings, specifications, or other data by Amphenol Corp., or to any other person to anyone for any purpose is not to be regarded by implication or otherwise in any manner licensing, granting rights to permitting such holder or any other person to manufacture, use or sell any product, process or design, patented or otherwise, that may in any way be related to or disclosed by said drawings, specifications, or other data.	REFERENCE	ENGINEER	DATE	SCALE: 10.0:1.0 SHEET 2 OF 2		DRAWING NO. MMCX6121A1-3GT30G-196AU-50		
	EAR#	F. WANG	20-Feb-14			DWG SIZE		ITEM NO. 096111AAA16GE5F
	REF:	APPROVED	S. HSIEH	DATE	REV		PART NO. 262117	
	CONFIGURATION LEVEL: In Work	FINISH	CAD FILE	12-Oct-18	B		D	