

Product / Process Change Notification (PCN)

- Major change
 Minor change

PCN #: PCN_AbsCF_20230508
Affected Series: WE-CF; 300xxxxx , 301xxxxx
PCN Date: February 08, 2023
Effective Date: May 08, 2023

- Change Category:**
- Equipment / Location
 General Data
 Material
 Process
 Product Design
 Shipping / Packaging
 Supplier
 Software

Contact: Product Management
Phone: +49 (0) 7942 - 945 5001
Fax: +49 (0) 7942 - 945 5179
E-Mail: pcn.eisos@we-online.com

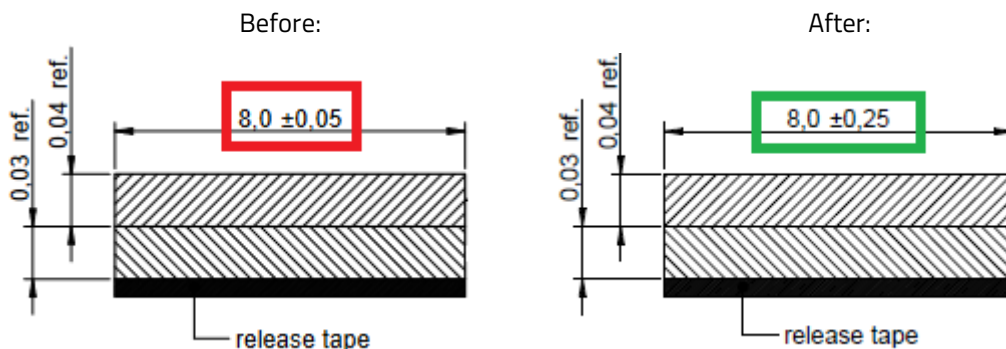
- Data Sheet Change:**
 Yes No
Attachment:
 Yes No

Description and purpose of change:

In line with internal standardisation, Würth Elektronik will correct the datasheet of all the Part Numbers of the matchcode WE-CF (300xxxxx and 301xxxxx)
 This is a datasheet correction only. There will be no change in form, fit, function, quality or reliability of the product.

Detail of Change:

The tolerances shown on the datasheet have been updated.
 PNs affected: 3003308A, 3013308A, 3003310A, 3013310A, 3003320A, 3013320A, 3003325A, 3013325A, 3003350A, 3013350A





Reliability / Qualification Summary:

There will be no change in the product, therefore no additional reliability or qualification testing will be performed.