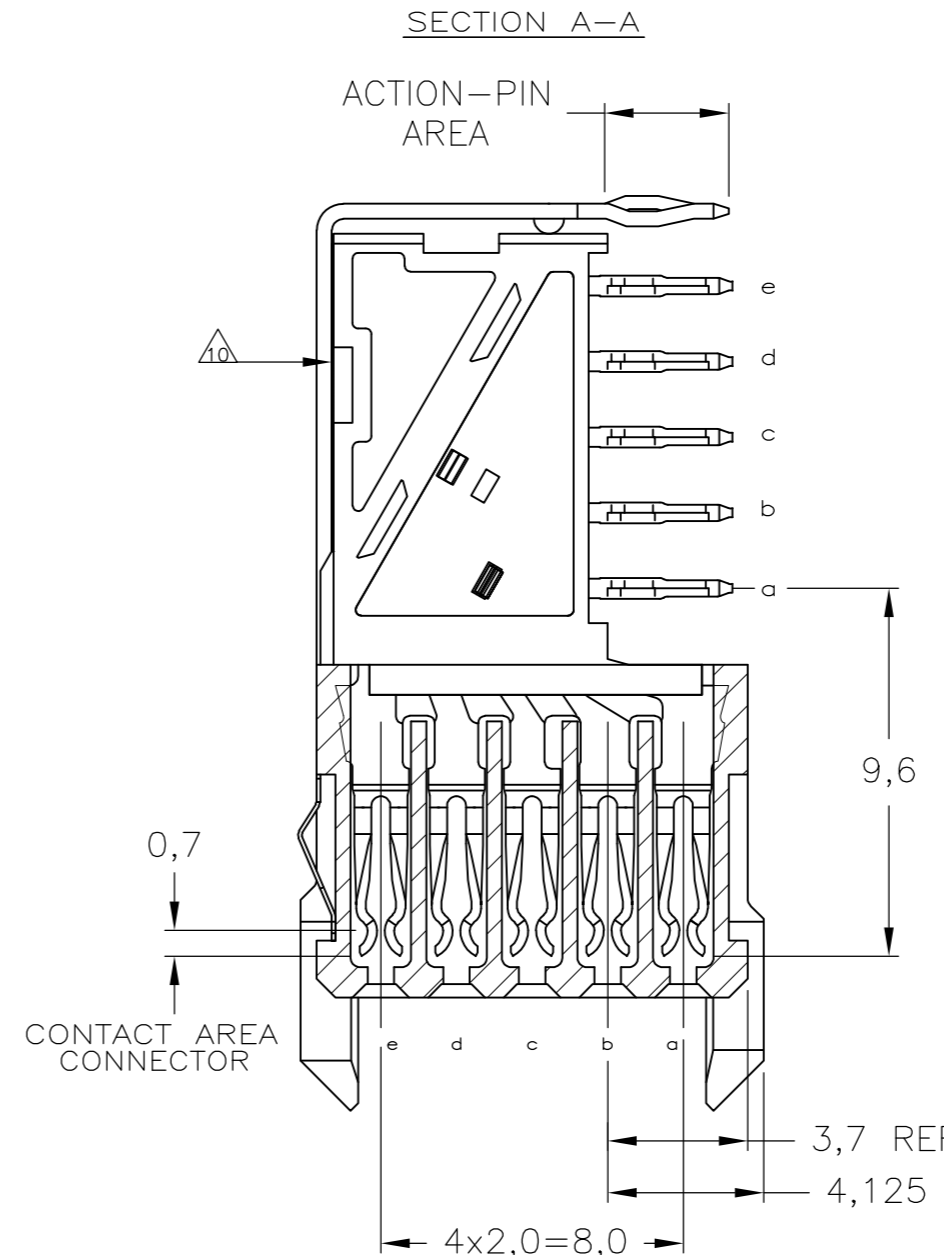
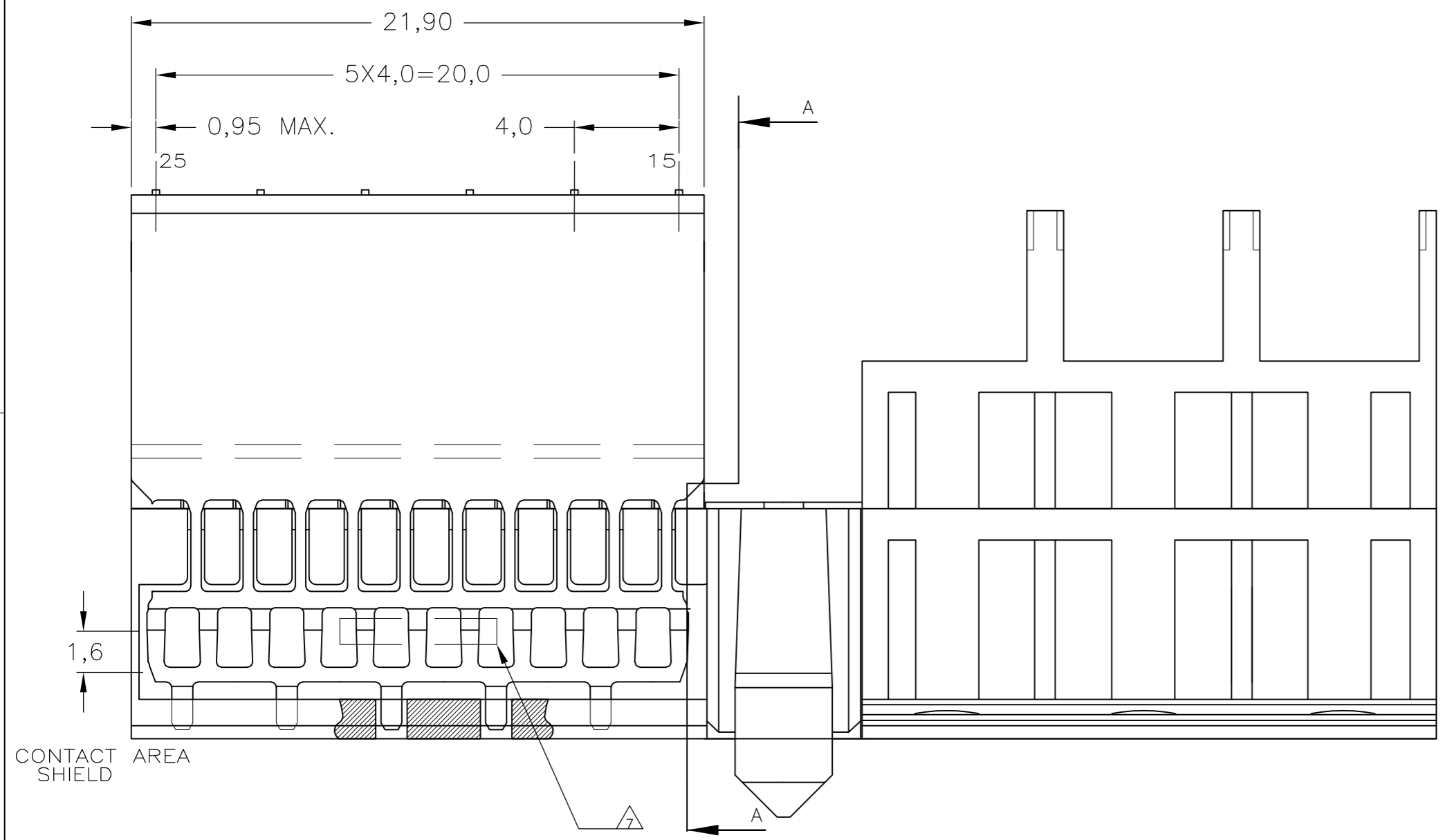
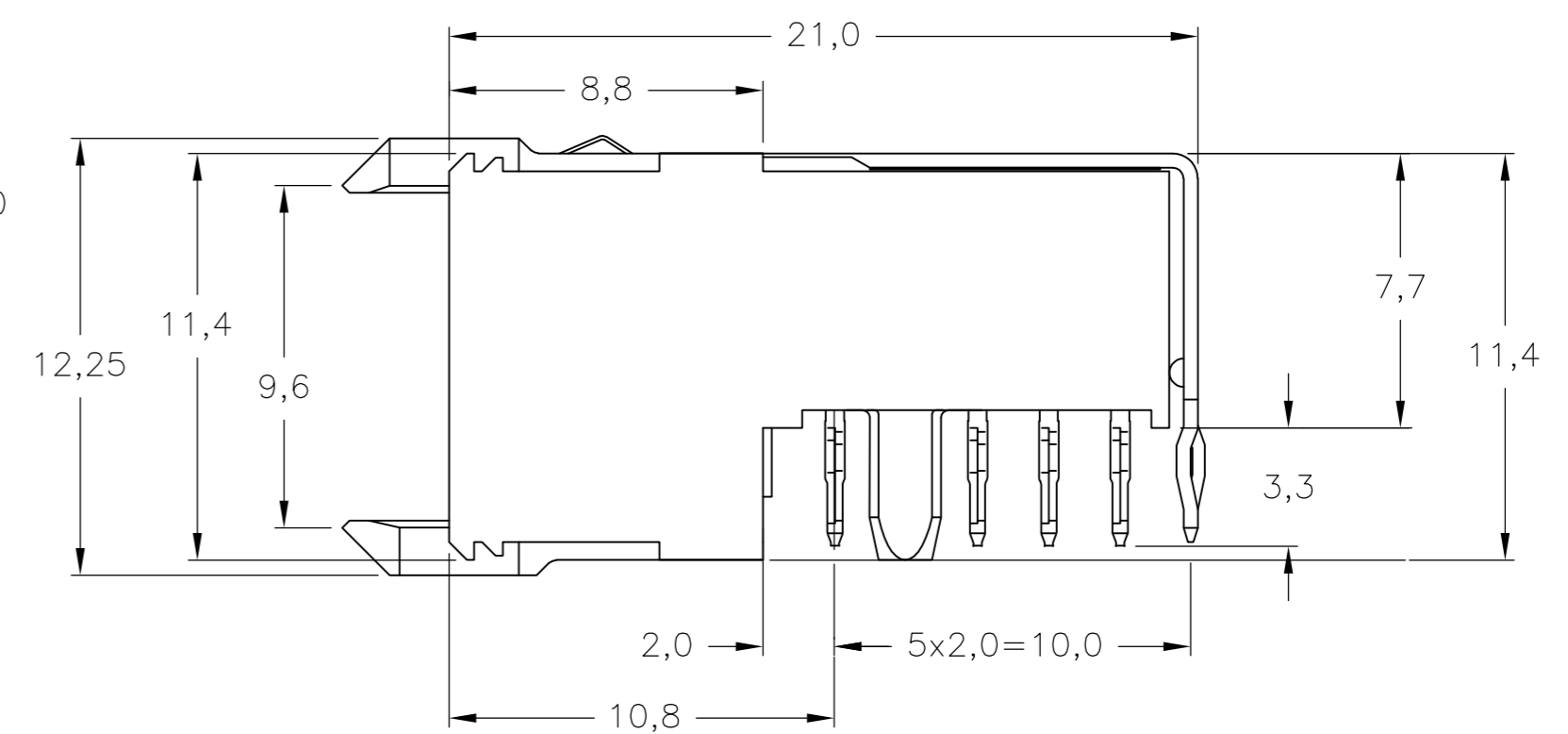
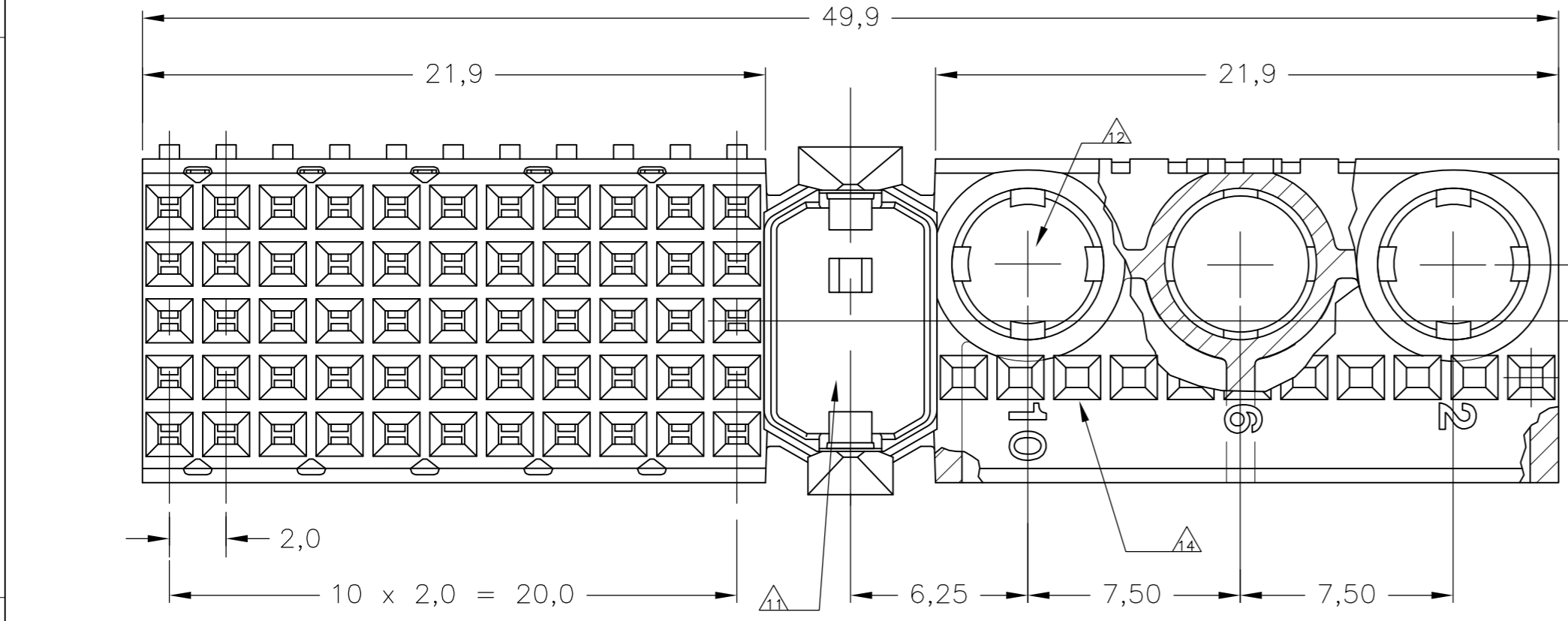


THIS DRAWING IS UNPUBLISHED. RELEASED FOR PUBLICATION
 © COPYRIGHT - TE Connectivity ALL RIGHTS RESERVED.

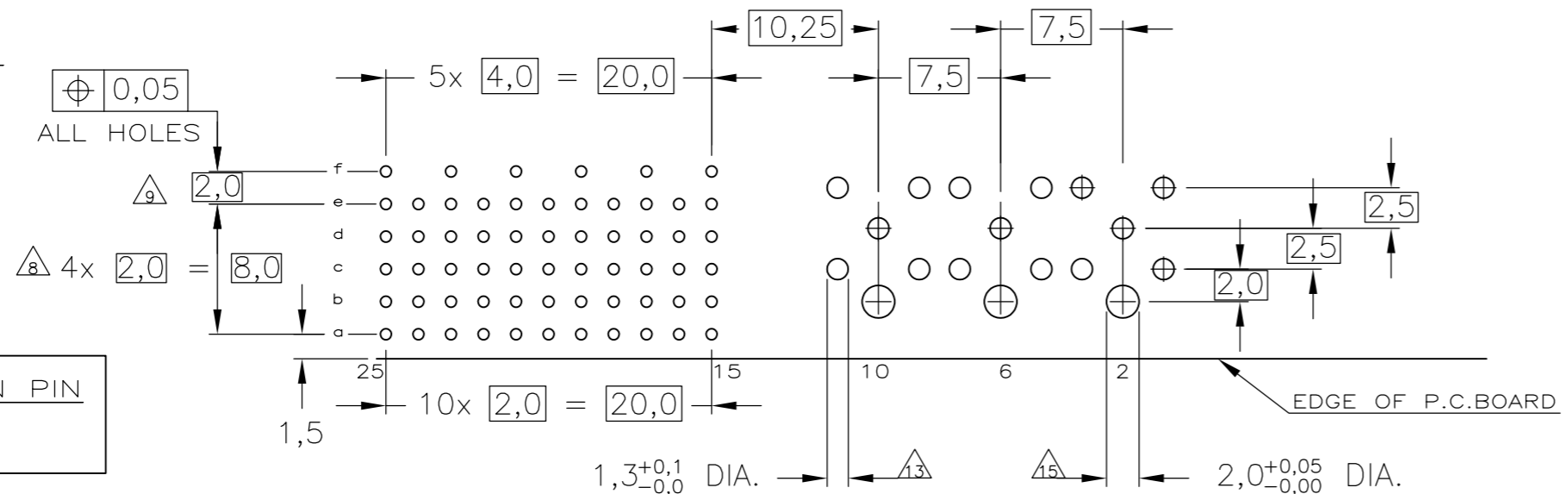
REVISIONS					
P	LTR	DESCRIPTION	DATE	DWN	APVD
D		ECR-16-013298	02JUN2017	FL	SY



- NOTES:
- 1 MATERIAL CONTACTS ; PHOSPHORBRONZE
MATERIAL SHIELDING ; PHOSPHORBRONZE
MATERIAL HOUSING ; GLASSFILLED POLYESTER (GRAY)
UL-RATING 94V0.
 - 2 GENERAL PLATING SPECIFICATION: UNDERPLATING
(ENTIRE CONTACT): 1,27µm NICKEL MIN. AND ACTION
PIN: 0,5µm TIN MIN.
FOR PLATING OF MATING SURFACES SEE APPLICABLE
SPECIFICATION REFERENCE FOR EACH DASH NUMBER.
 - 3 CONFORMS TO ALL TESTING ACCORDING IEC 61076-4-101
PERFORMANCE LEVEL 2.
 - 4 CONNECTOR TESTED AND QUALIFIED AGAINST TELCORDIA GR-1217-CORE
QUALITY LEVEL III, CENTRAL OFFICE APPLICATIONS.
 - 5 CONNECTOR LUBRICATED WITH TELCORDIA GR-1217-CORE APPROVED LUBRICANT.
 - 6 PLATING SHIELD :
CONTACT AREA : 0,76µm Au MIN.
ACTION PIN : 0,5µm Sn MIN.
REMAINDER : Ni
 - 7 ASSEMBLY PRINTED WITH P/N AND DATE CODE
THE MARKING CAN APPEAR ON THE FRONT SIDE
OR BACK SIDE
 - 8 HOLE PATTERN FOR FEMALE CONNECTOR TYPE M
55 PLATED-THROUGH HOLES AT 2x2mm SQUARE GRID
ROW "f" 6 PLATED THROUGH HOLES FOR UPPERSHIELD
 - 9 SHIELD MOUNTED ON CONNECTOR WITH DOUBLE SIDED
ADHESIVE TAPE OR ADHESIVE
 - 10 AREA RESERVED FOR KEYING PART (BASIC P.N. 100526)
 - 11 CONTACT CAVITIES (3x) SUITABLE FOR 4,8 DIA. HIGH CURRENT,
HIGH FREQUENCY OR FIBRE OPTIC CONTACTS AS PER DIN 41626
(SEE ALSO NOTE 13).
 - 12 1,3 DIA. PLATED-THROUGH HOLES (15x) CAN BE OMITTED
IF SPECIAL CONTACTS WITH CABLE CONNECTION OR FIBRE
OPTIC CONTACTS ARE USED.
 - 13 THIS ROW OF 11 CAVITIES (B1 TO B11) FOR
CONNECTOR ASSEMBLY PURPOSE ONLY.
 - 14 NOT PLATED-THROUGH HOLES (3x).
 - 15 FITS WITH LOWERSHIELD BASIC P/N 5352112



COMPONENT SIDE AS SHOWN
RECOMMENDED PCB-HOLE LAY-OUT
SCALE 2,5:1



P.C.B. HOLE DIM. ACTION PIN
FOR DETAILS SEE
APPLICATION SPECIFICATION

OBSELETE	2, 4, 5, 6	1	5352177-9
	2, 3, 6	1	5352177-1
	FINISH	MATERIAL	PARTNUMBER

THIS DRAWING IS A CONTROLLED DOCUMENT.

DWN	K.N.KIRAN	20AUG2004	 TE Connectivity	
CHK	B.MOOIJ	27OCT2004		
APVD	B.MOOIJ	27OCT2004		
PRODUCT SPEC				
APPLICATION SPEC	108-19082		NAME	Z-PACK 2mm HM TYPE M (55 POS.) PRE-SHIELDED RECEPTACLE
WEIGHT	0.000000		SIZE	A2
CUSTOMER DRAWING			CAGE CODE	00779
			DRAWING NO	C=5352177
			RESTRICTED TO	-
			SCALE	5:1
			SHEET	1 of 1
			REV	D