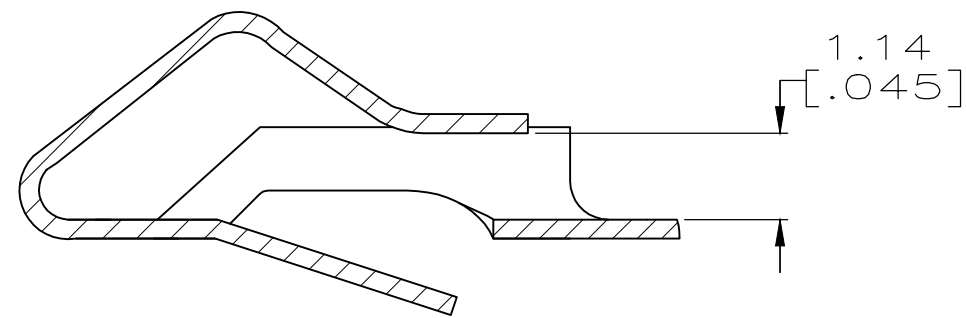
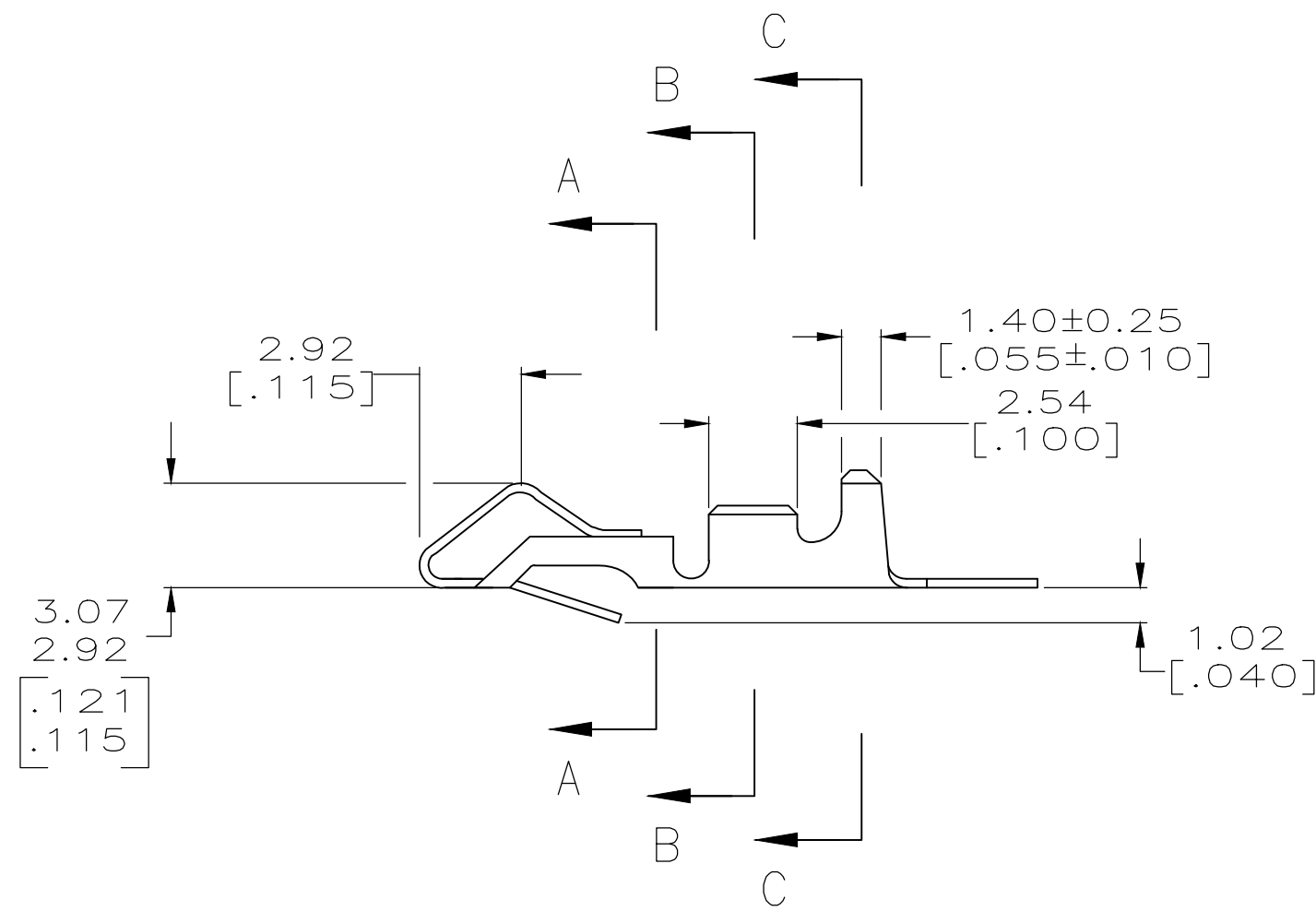
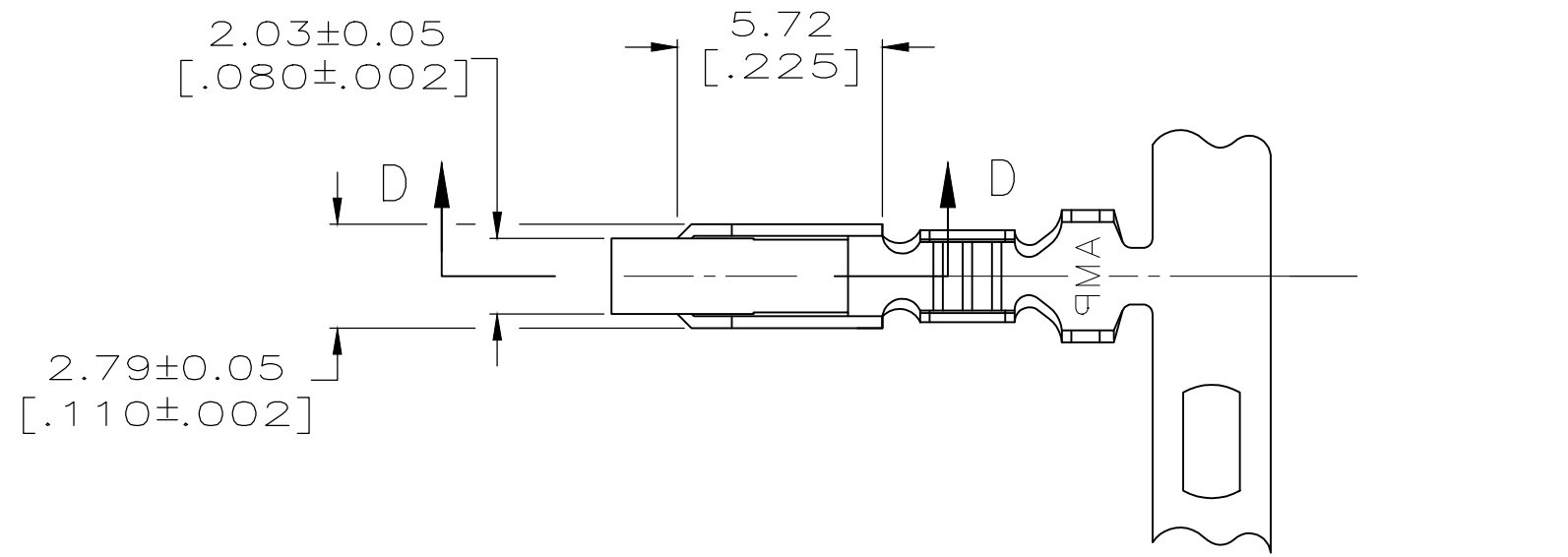


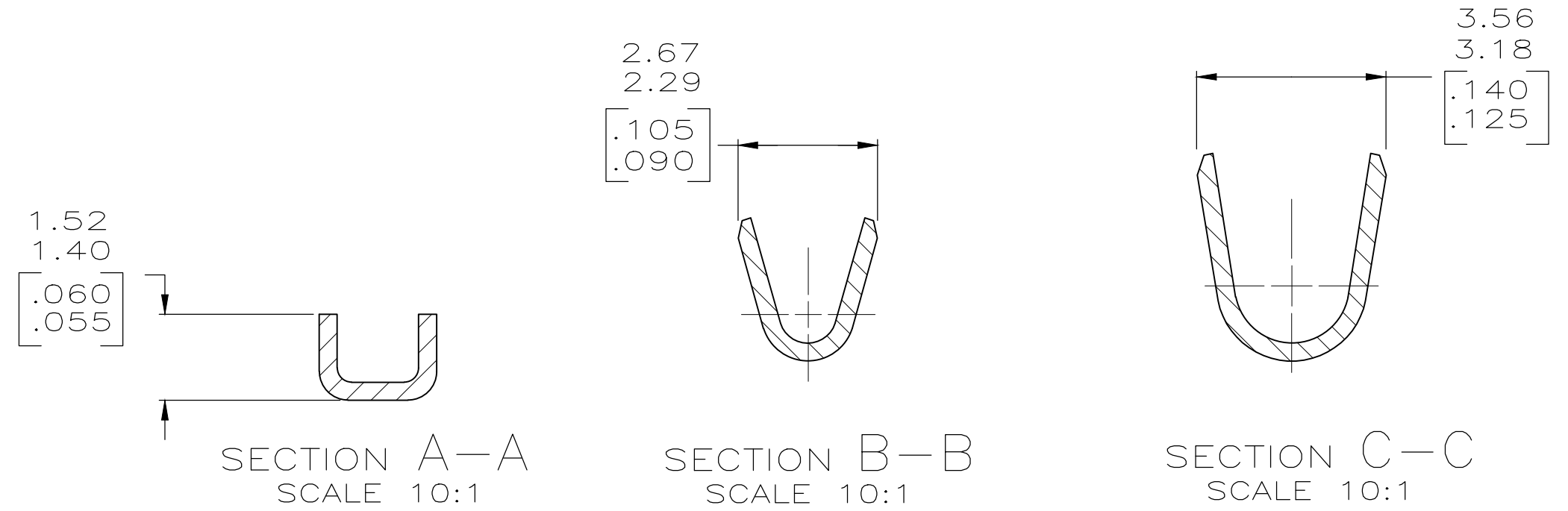
THIS DRAWING IS UNPUBLISHED. RELEASED FOR PUBLICATION
 © COPYRIGHT - By - ALL RIGHTS RESERVED.

LOC	DIST	REVISIONS			
P	LTR	DESCRIPTION	DATE	DWN	APVD
CM	00	W3	REVISED PER ECR-18-001701	21FEB2018	BDA SG

- ① 0.00203 [.000080] MIN BRIGHT TIN-LEAD OVER
0.00127 [.000050] MIN NICKEL.
- ② 0.00330 [.000130] MAX PRE-TIN.
- ③ 0.00013 [.000005] GOLD OVER 0.00127 [.000050]
MIN NICKEL ALL OVER AND 0.00076 [.000030] MIN
GOLD ON CONTACT AREA.
- 4. WIRE RANGE: 0.2-0.9mm² (24-18 AWG).
INSULATION RANGE: 2.79 [.110] DIA MAX.
- 5. DIMENSIONS IN BRACKETS ARE IN INCHES.
- ⑥ 0.00203 [.000080] MIN BRIGHT TIN OVER
0.00127 [.000050] MIN NICKEL.
- ⑦ OBSOLETE PARTS



SECTION D-D
SCALE 10:1



MINI	SEE 3-640706-1	⑥	3-640252-1
MINI	SEE 640706-2	②	640252-2
⑦ SUPERSEDED	MINI SEE 640706-1	①	-640252-1-
APPLICATOR	LOOSE PIECE	FINISH	PART NO

THIS DRAWING IS A CONTROLLED DOCUMENT.		DWN S. CARPENTER 21AUG2003	TE Connectivity	
DIMENSIONS: INCHES	TOLERANCES UNLESS OTHERWISE SPECIFIED:	CHK J. ELLIS 21AUG2003	RECEPTACLE, SL-156	
	0 PLC ±	APVD J. ELLIS 21AUG2003	SIZE	RESTRICTED TO
	1 PLC ±	PRODUCT SPEC	A2	-
MATERIAL	FINISH	APPLICATION SPEC	CAGE CODE	DRAWING NO
0.33 [.013] BRASS	SEE TABLE	WEIGHT	00779	C-640252
CUSTOMER DRAWING		SCALE	SHEET	REV
		5:1	1 OF 1	W3