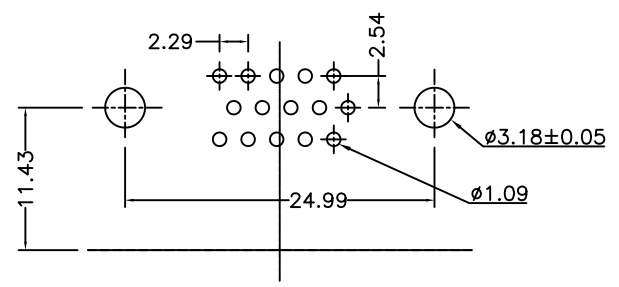
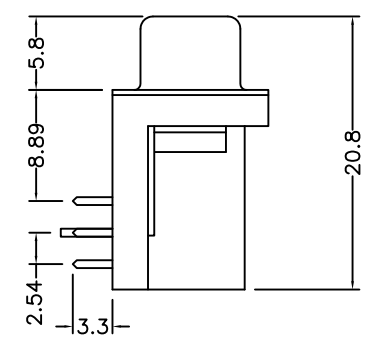
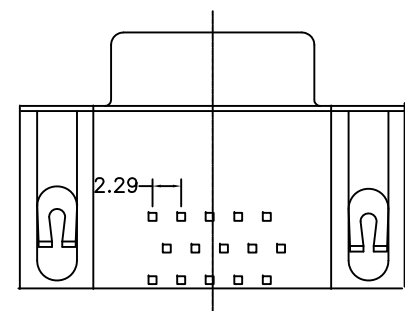
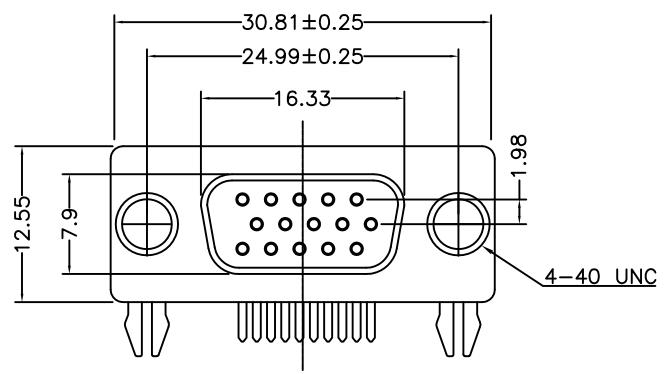


REV.	SPECIFICATION	ECN NO.	APPD.



P.C. Board Layout

Material:

Housing: PBT, UI94V-0, Black.
Contacts: Brass, Gold Plated over Nickel 40u"
Shell: Steel

Electrical Characteristics:

Current Rating: 1 AMP.
Dielectric Withstanding Voltage: AC 1000V.
Insulator Resistance: 1000MΩ min.
Contact Resistance: 20mΩ max.
Operating Temperature: -55°C~+105°C.

***RoHS Compliant**

7916- 15 F B A -A002
Series Position F: Female B: With Grounding Forks and With Riveted Threaded Inserts. A: Tray Package Plastic Height: 20.8mm

Tolerances	Dwg. No.	7916D02013		Title:			
x = ±0.50	Projection	⊕		7916 Series			
.x = ±0.25	Unit	mm	Scale	H.D. D-SUB			
.xx = ±0.15	Drawn By	Ping	09/06'19	Right Angle Type			
				① 512			
				OUPIN			
				OUPIN ELECTRONIC(KUNSHAN) CO., LTD.			
				P/N: 7916-15FBA-A002			
		SHEET	1/1	Ver. No.	A2		