

ECN/PCN No.: 4263

### For Manufacturer

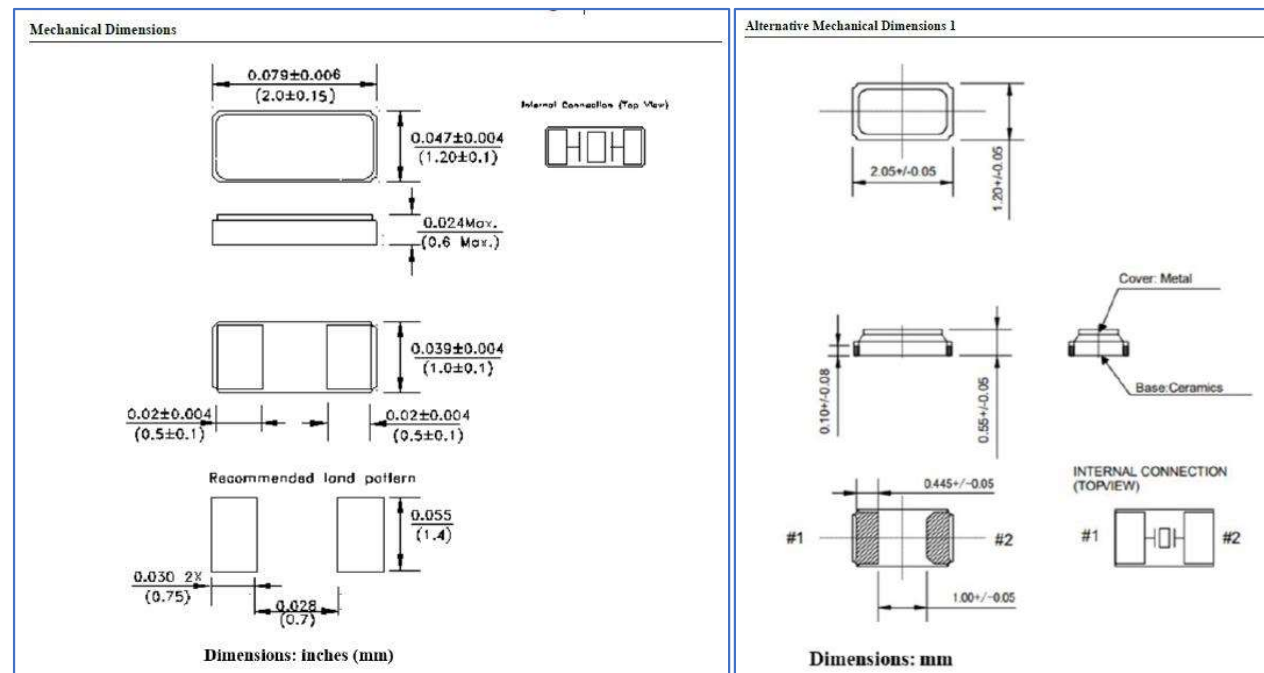
<b>Product Description:</b> 32.768kHz SMD Crystal	<b>Abracon Part Number / Part Series:</b> ABS06	<input type="checkbox"/> Documentation only <input checked="" type="checkbox"/> ECN <input type="checkbox"/> EOL	<input checked="" type="checkbox"/> Series <input type="checkbox"/> Part Number
<b>Affected Revision:</b> K	<b>New Revision:</b> L	<b>Application:</b>	<input type="checkbox"/> Safety <input checked="" type="checkbox"/> Non-Safety

**Prior to Change:**

Electrical Specifications:

Shunt capacitance (C0), typical value= 0.9~1.2pF

Mechanical Dimensions:

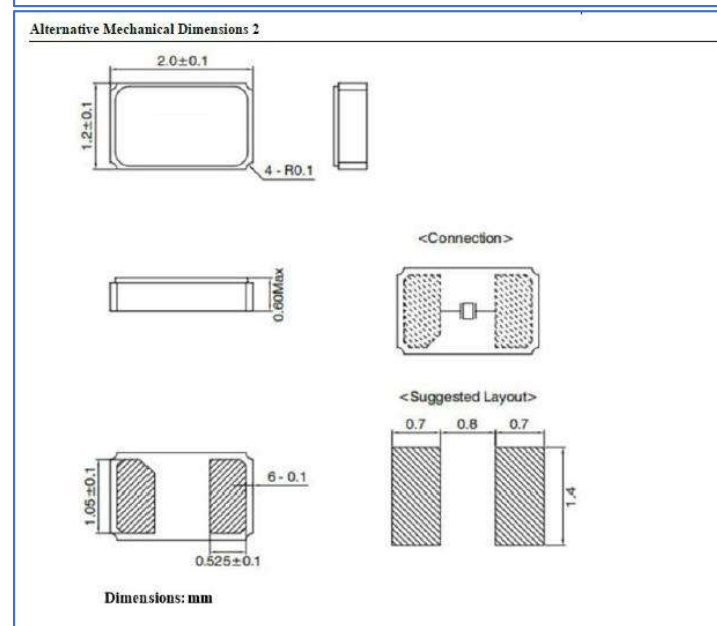
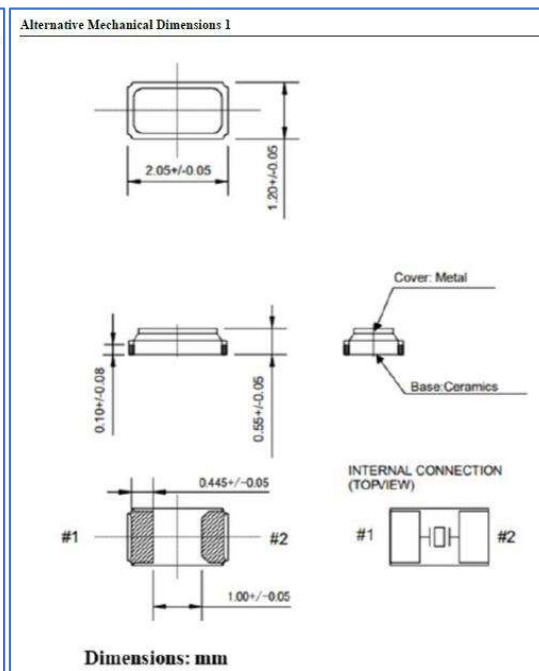
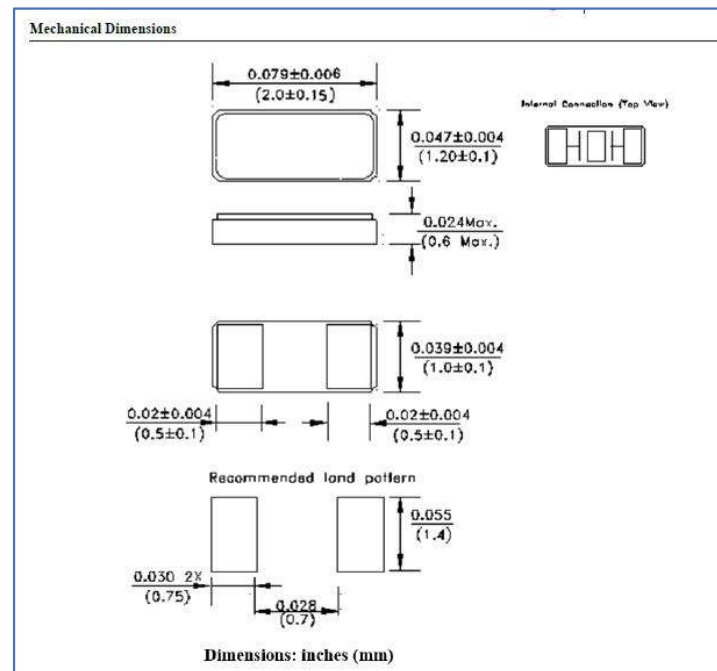


**After Change:**

**Electrical Specifications:**

Shunt capacitance (C0), typical value= 0.9~1.4pF

**Mechanical Dimensions:**



**Cause/Reason for Change:**

Abracon introduced additional manufacturing sources to ensure product availability and to be in a better position to meet long term customer demand. Updated electrical specifications and added an alternative bottom packaging structure to reflect the product produced by all manufacturing sources.

Change Plan		
<b>Effective Date:</b> 04/25/2022	<b>Additional Remarks:</b> N/A	
<b>Change Declaration:</b> This statement addresses both the electrical and mechanical changes of the product series.		
<b>Issued Date:</b> 04/25/2022	<b>Issued By:</b>	<b>Issued Department:</b>
<b>Approval:</b>	<b>Approval:</b>	<b>Approval:</b>
For Abracon EOL only		
<b>Last Time Buy (if applicable):</b> N/A	<b>Alternate Part Number / Part Series:</b> N/A	
<b>Additional Approval:</b> N/A	<b>Additional Approval:</b> N/A	<b>Additional Approval:</b> N/A
Customer Approval (If Applicable)		
<b>Qualification Status:</b> <div style="text-align: center;"> <input type="checkbox"/> Approved   <input type="checkbox"/> Not accepted         </div> <i>Note: It is considered approved if there is no feedback from the customer 1 month after ECN/PCN is released.</i>		
<b>Customer Part Number:</b>	<b>Customer Project:</b>	
<b>Company Name:</b>	<b>Company Representative:</b>	<b>Representative Signature:</b>
<b>Customer Remarks:</b>		