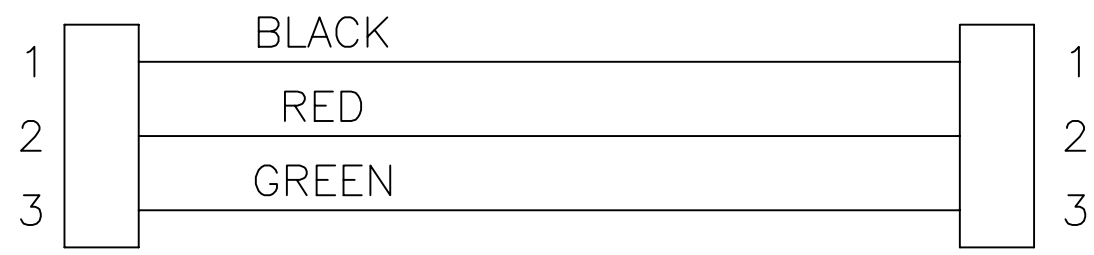
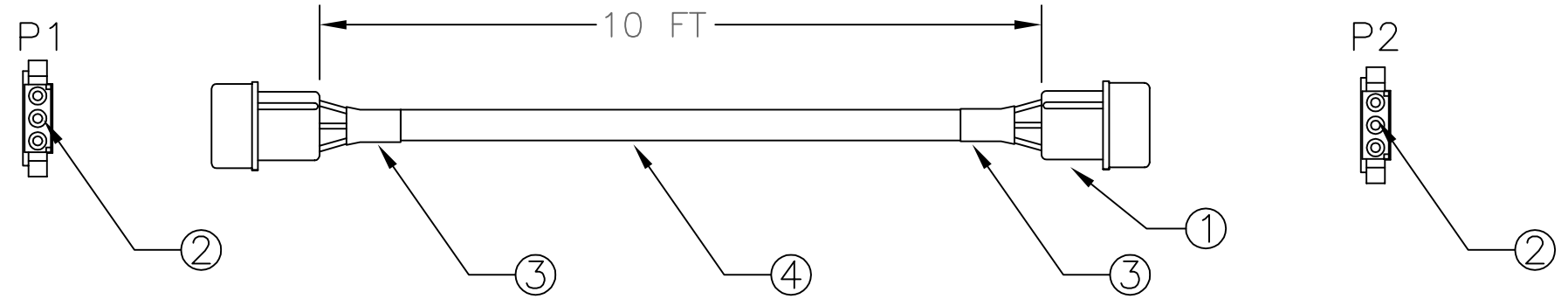


**FOR
REFERENCE
ONLY**

REVISIONS				
ECN#	REV	DESCRIPTION	DATE	BY
	A	INITIAL RELEASE	11/20/15	HC



NOTE:
1. ALL CONNECTOR CONTACTS PROVIDED WITH GOLD FINISH.

NO.	PART #	DESCRIPTION	QTY
4	311019-000	AUDIO CABLE 22/3 PVC JACKET	10.0 FT
3	302119-001	HEAT SHRINK TUBING	2.0
2	226007-009	PIN CONTACT 24-18AWG DEC GOLD FINISH	6.0
1	226001-001	CONNECTOR CAP DEC 3-CIR	1.0

<small>UNLESS OTHERWISE SPECIFIED DIMENSIONS ARE IN INCHES TOLERANCES ARE: ANGLES DECIMALS ± .5° .XX ± .03 .XXX ± .010 DO NOT SCALE DRAWING</small>	<table border="1" style="width: 100%; border-collapse: collapse;"> <tr> <td colspan="2">METAL NO.</td> <td colspan="2">SILK NO.</td> </tr> <tr> <td colspan="2">APPROVALS</td> <td colspan="2">DATE</td> </tr> <tr> <td>DRAWN</td> <td>HC</td> <td colspan="2">11/20/15</td> </tr> <tr> <td>CHECKED</td> <td></td> <td colspan="2"></td> </tr> <tr> <td>APPROVED</td> <td></td> <td colspan="2"></td> </tr> </table>	METAL NO.		SILK NO.		APPROVALS		DATE		DRAWN	HC	11/20/15		CHECKED				APPROVED				<p>MARWAY POWER SOLUTIONS</p> <p>1721 S. GRAND AVE. SANTA ANA, CA 92705 PH: (714) 917-6200 FX: (714) 917-6253</p>	<p>APPLICATION DRAWING ASSY 400075-120G</p>
METAL NO.		SILK NO.																					
APPROVALS		DATE																					
DRAWN	HC	11/20/15																					
CHECKED																							
APPROVED																							
<small>FINISH:</small>	<small>PROPRIETARY NOTICE THE INFORMATION CONTAINED IN THIS DRAWING IS THE SOLE PROPERTY OF MARWAY POWER SOLUTIONS ANY REPRODUCTION IN PART OR AS A WHOLE WITHOUT THE WRITTEN PERMISSION OF MARWAY POWER SOLUTIONS IS STRICTLY PROHIBITED.</small>	<table border="1" style="width: 100%; border-collapse: collapse;"> <tr> <td>SIZE</td> <td>CAGE CODE</td> <td>DWG NO.</td> <td>REV</td> </tr> <tr> <td>B</td> <td>60955</td> <td>ASSY 400075-120G</td> <td>A</td> </tr> </table>	SIZE	CAGE CODE	DWG NO.	REV	B	60955	ASSY 400075-120G	A	<table border="1" style="width: 100%; border-collapse: collapse;"> <tr> <td>SCALE</td> <td>COMPUTER FILE NO.</td> <td>SHEET</td> </tr> <tr> <td>NONE</td> <td>ASSY 400075-120G REV A</td> <td>1 OF 1</td> </tr> </table>	SCALE	COMPUTER FILE NO.	SHEET	NONE	ASSY 400075-120G REV A	1 OF 1						
SIZE	CAGE CODE	DWG NO.	REV																				
B	60955	ASSY 400075-120G	A																				
SCALE	COMPUTER FILE NO.	SHEET																					
NONE	ASSY 400075-120G REV A	1 OF 1																					