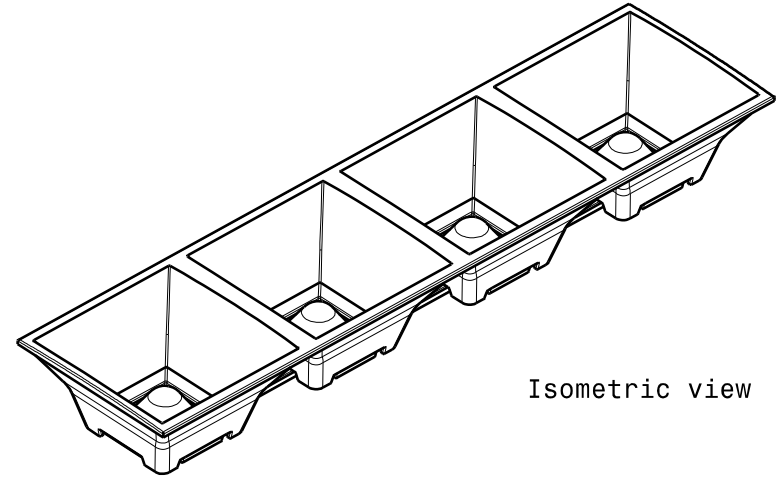
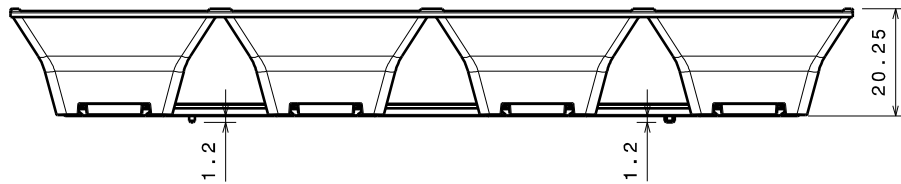


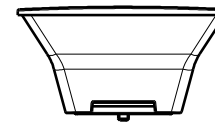
Bottom view



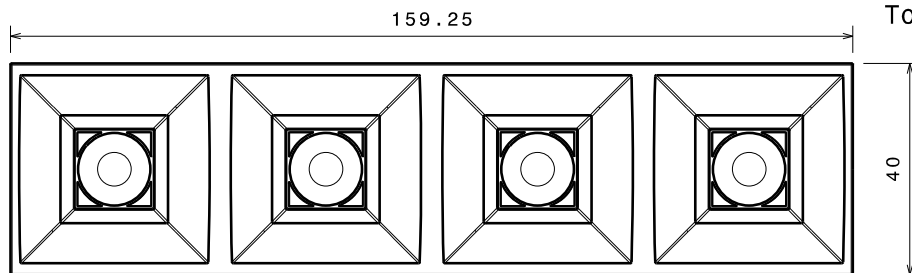
Isometric view



Front view



Left view



Top view

INDEX	PART	TYPE	MATERIAL	COLOR / COATING
1	C17423_DAISSY-4X1-SHD2-WHT-MATT	SHADE	PC	WHITE
2	C16992_DAISSY-4X1-W-D	LENS	PMMA	Semi-CLEAR

MECHANICAL DRAWING

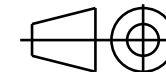
PRODUCT

CN17430_DAISSY-4X1-W-WHT-MATT-D

LEDiL[®]

Plastic moulding general tolerances according to DIN 16901-130 and applies if not otherwise shown in the drawing. Silicone moulding general tolerances according to ISO 3302-1 Class M3 and applies if not otherwise shown in the drawing.

FIRST ANGLE PROJECTION:



This drawing is the property of LEDiL Oy. It may not be copied or otherwise distributed without prior written permission from LEDiL Oy.

SCALE 1:1

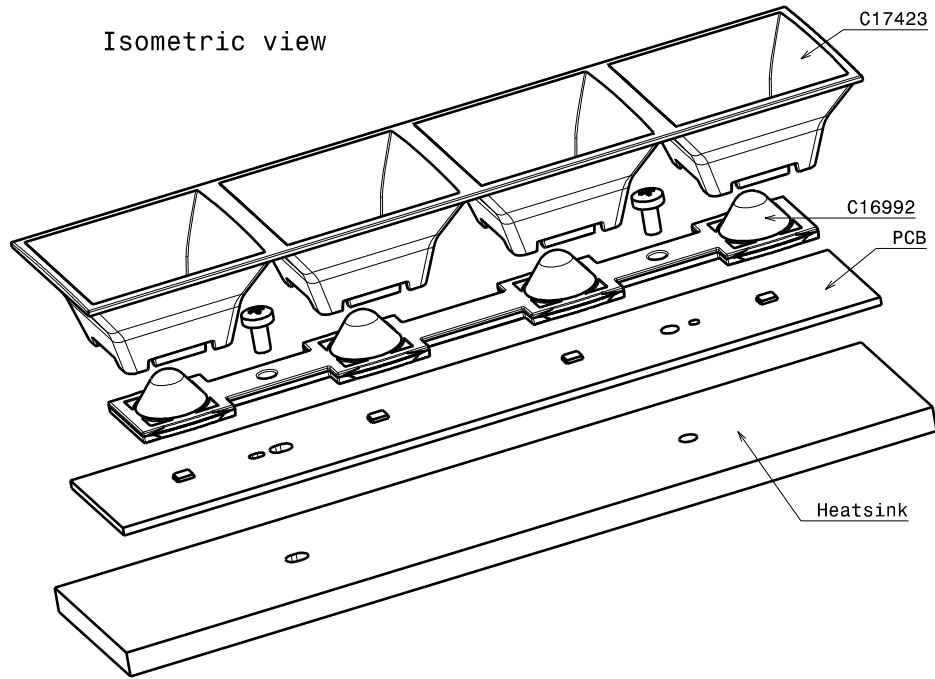
WEIGHT 29,685g

A3 SHEET 1/1

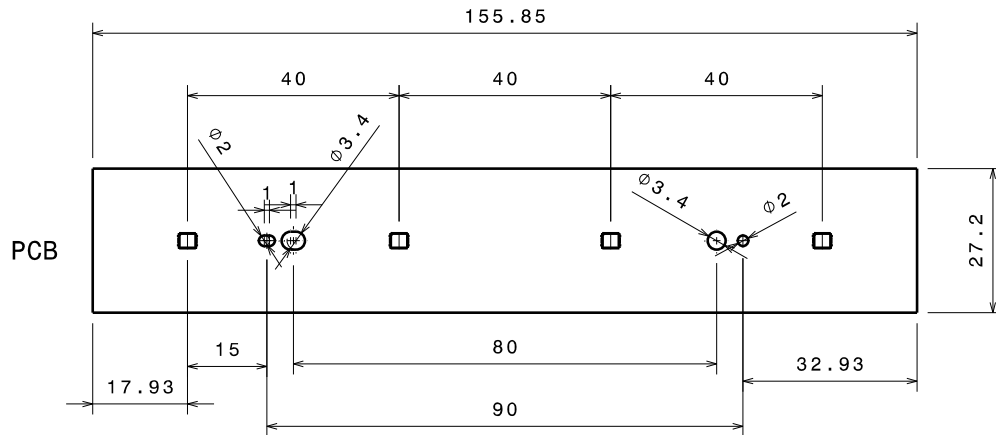
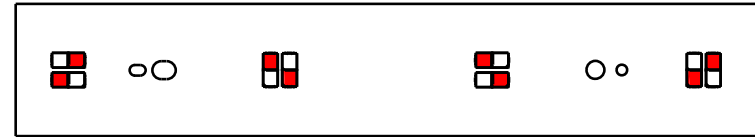
Notes

- PCB or heatsink level.
- LED location
- Ensure LED fitting from a product specific 3D model available from www.ledil.com
- For more details about installation please see LEDiL Installation Guide on www.ledil.com

Isometric view



Positioning of different LED combinations
Recommended LED spacing in clusters is 0,2mm



INDEX	PART	TYPE	MATERIAL	COLOR / COATING
1	C17423_DAISSY-4X1-SHD2-WHT-MATT	SHADE	PC	WHITE
2	C16992_DAISSY-4X1-W-D	LENS	PMMA	Semi-CLEAR

Notes

Ensure LED fitting from a product specific 3D model available from www.ledil.com
For more details about installation please see LEDiL Installation Guide on www.ledil.com

MECHANICAL DRAWING

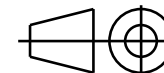
PRODUCT

CN17430_DAISSY-4X1-W-WHT-MATT-D

LEDiL[®]

Plastic moulding general tolerances according to DIN 16901-130 and applies if not otherwise shown in the drawing. Silicone moulding general tolerances according to ISO 3302-1 Class M3 and applies if not otherwise shown in the drawing.

FIRST ANGLE PROJECTION:



This drawing is the property of LEDiL Oy. It may not be copied or otherwise distributed without prior written permission from LEDiL Oy.

SCALE 1:1

WEIGHT 29,685g

A3 SHEET 1/1