

REVISION HISTORY				
ECO	REV	DESCRIPTION	APPROVED	DATE
	2	PRODUCTION	GUY H.	04-17-17

TABLE 1 - ADC INPUTS

LTC2358	AIN7	AIN6	AIN5	AIN4	AIN3	AIN2	AIN1	AIN0
LTC2357	AIN3		AIN2			AIN1		AIN0
LTC2353			AIN1			AIN0		
LTC2333	AIN7	AIN6	AIN5	AIN4	AIN3	AIN2	AIN1	AIN0

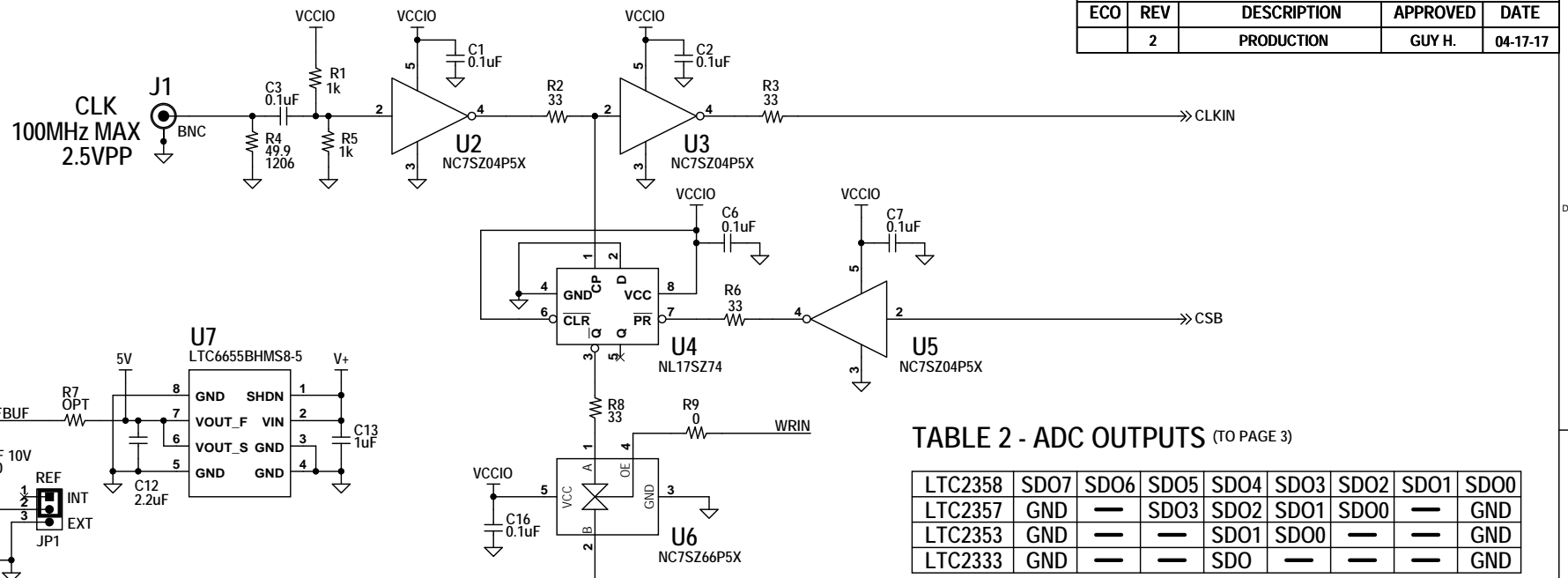
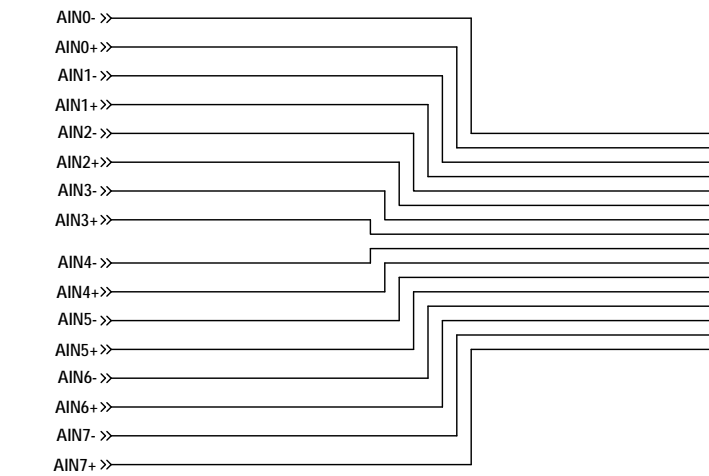
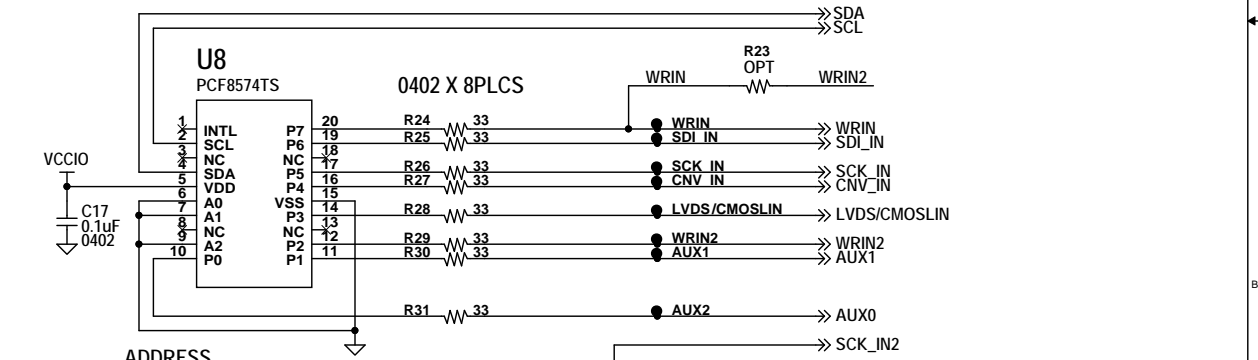
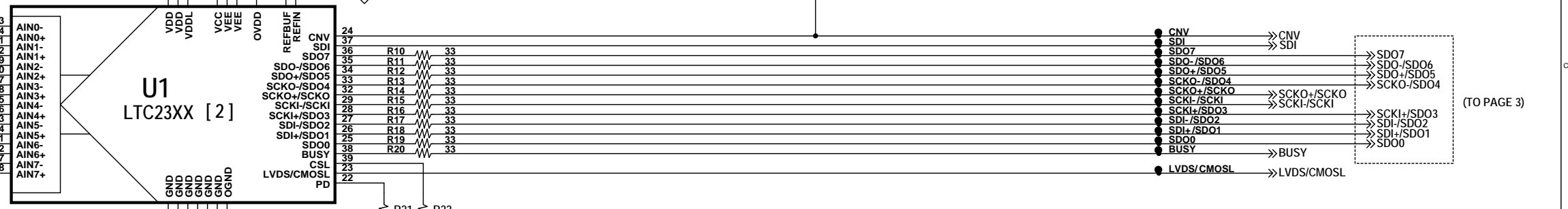


TABLE 2 - ADC OUTPUTS (TO PAGE 3)

LTC2358	SDO7	SDO6	SDO5	SDO4	SDO3	SDO2	SDO1	SDO0
LTC2357	GND	—	SDO3	SDO2	SDO1	SDO0	—	GND
LTC2353	GND	—	—	SDO1	SDO0	—	—	GND
LTC2333	GND	—	—	SDO	—	—	—	GND

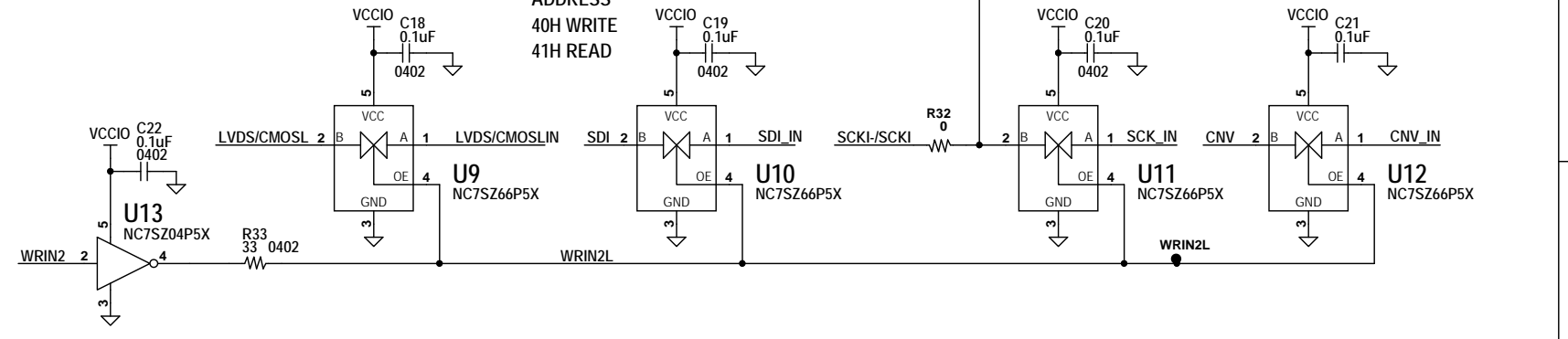


NOTES: UNLESS OTHERWISE SPECIFIED

1. ALL RESISTORS AND CAPACITORS ON THIS PAGE ARE 0603.

[2]. TABLE 3 - ASSEMBLY OPTIONS

ASSY	U1	SUFFIX	-Bit	Ksps	-CHANNEL	R61 (PAGE 3)
-A	LTC2358-18	58-18	18	200	8	0
-B	LTC2357-18	57-18	18	350	4	0
-C	LTC2353-18	53-18	18	550	2	0
-D	LTC2333-18	33-18	18	800	8	0
-E	LTC2358-16	58-16	16	200	8	OPT
-F	LTC2357-16	57-16	16	350	4	OPT
-G	LTC2353-16	53-16	16	550	2	OPT
-H	LTC2333-16	33-16	16	800	8	OPT



CUSTOMER NOTICE

LINEAR TECHNOLOGY HAS MADE A BEST EFFORT TO DESIGN A CIRCUIT THAT MEETS CUSTOMER-SUPPLIED SPECIFICATIONS; HOWEVER, IT REMAINS THE CUSTOMER'S RESPONSIBILITY TO VERIFY PROPER AND RELIABLE OPERATION IN THE ACTUAL APPLICATION. COMPONENT SUBSTITUTION AND PRINTED CIRCUIT BOARD LAYOUT MAY SIGNIFICANTLY AFFECT CIRCUIT PERFORMANCE OR RELIABILITY. CONTACT LINEAR TECHNOLOGY APPLICATIONS ENGINEERING FOR ASSISTANCE.

APPROVALS

PCB DES. KIM T.
APP ENG. GUY H.

1630 McCarthy Blvd.
Milpitas, CA 95035
Phone: (408)432-1900 www.linear.com
Fax: (408)434-0507
LTC Confidential-For Customer Use Only

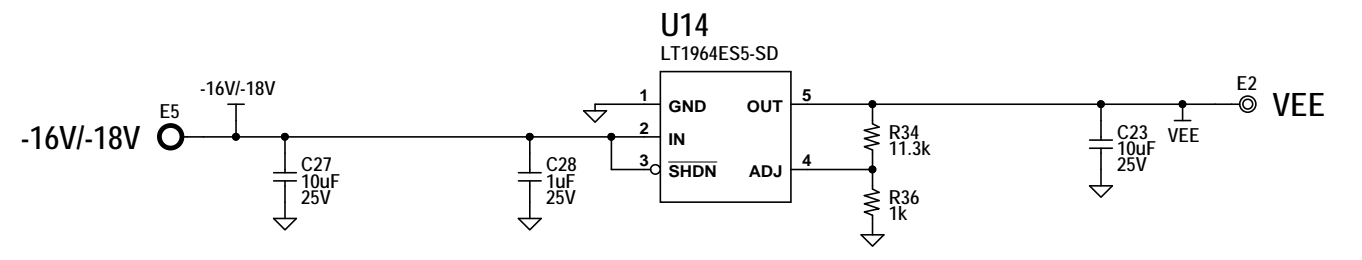
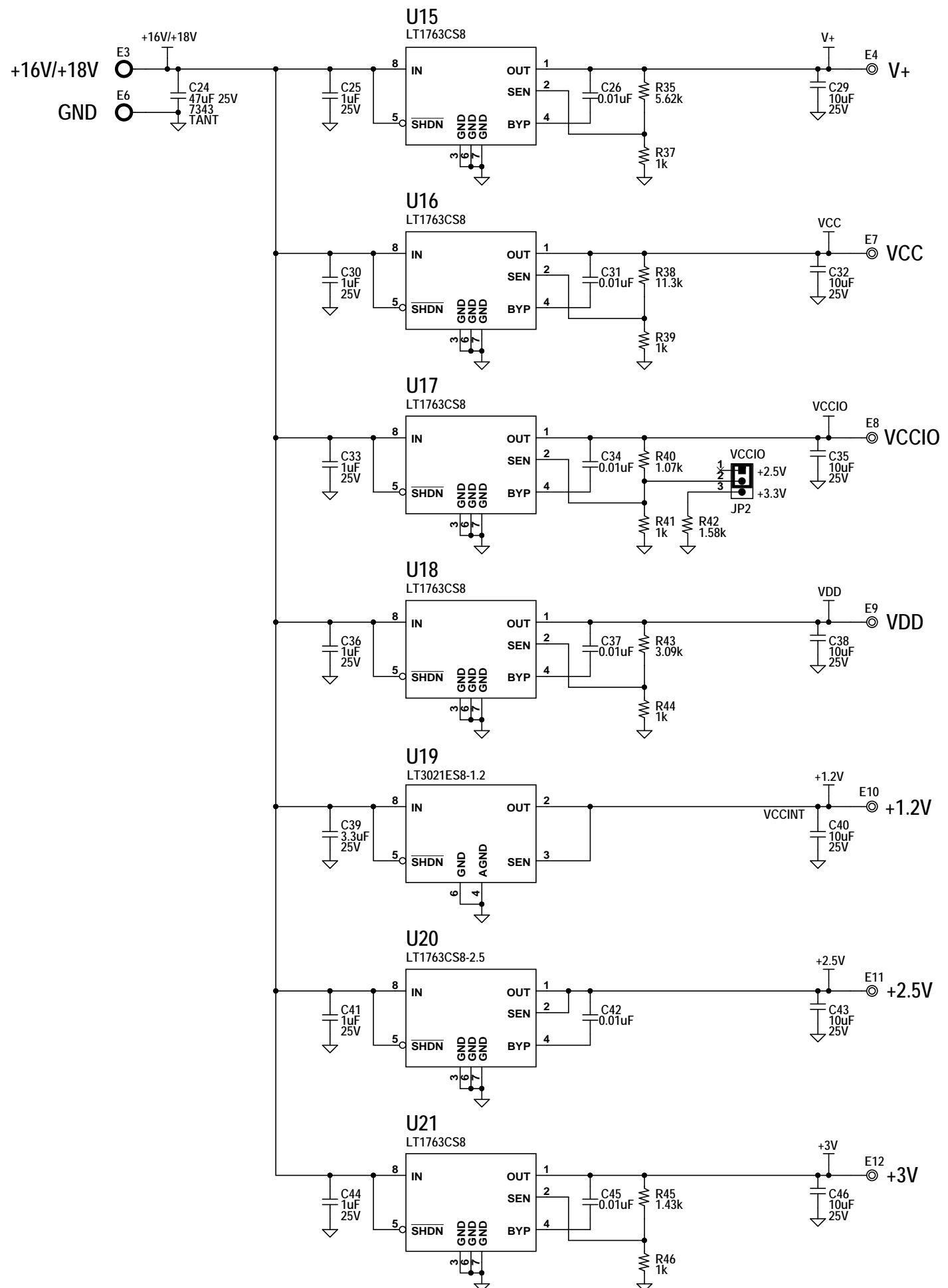
TITLE: SCHEMATIC
8/4/2-CHANNEL, BUFFERED SOFTSPAN
SIMULTANEOUS SAMPLING AND MULTIPLEXED ADCS

SIZE B IC NO. LTC23XXILX FAMILY
REV. 2 DEMO CIRCUIT 2365A

DATE: Monday, April 17, 2017 SHEET 1 OF 4

THIS CIRCUIT IS PROPRIETARY TO LINEAR TECHNOLOGY AND SUPPLIED FOR USE WITH LINEAR TECHNOLOGY PARTS.

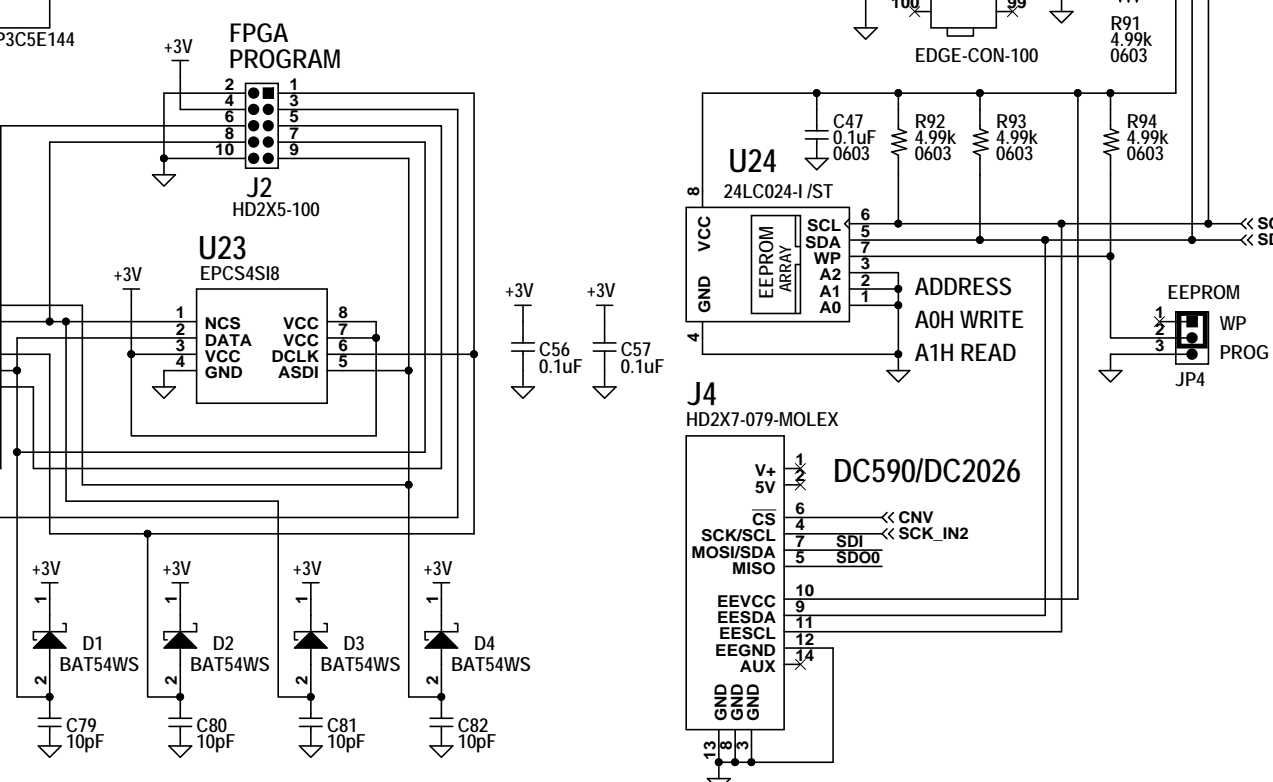
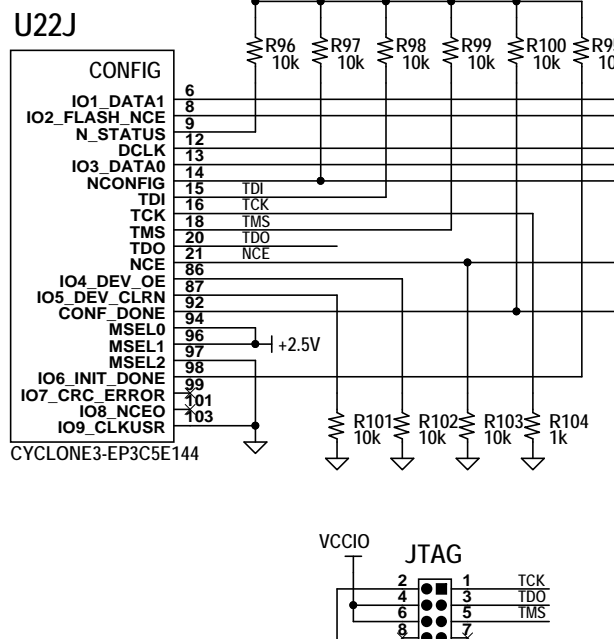
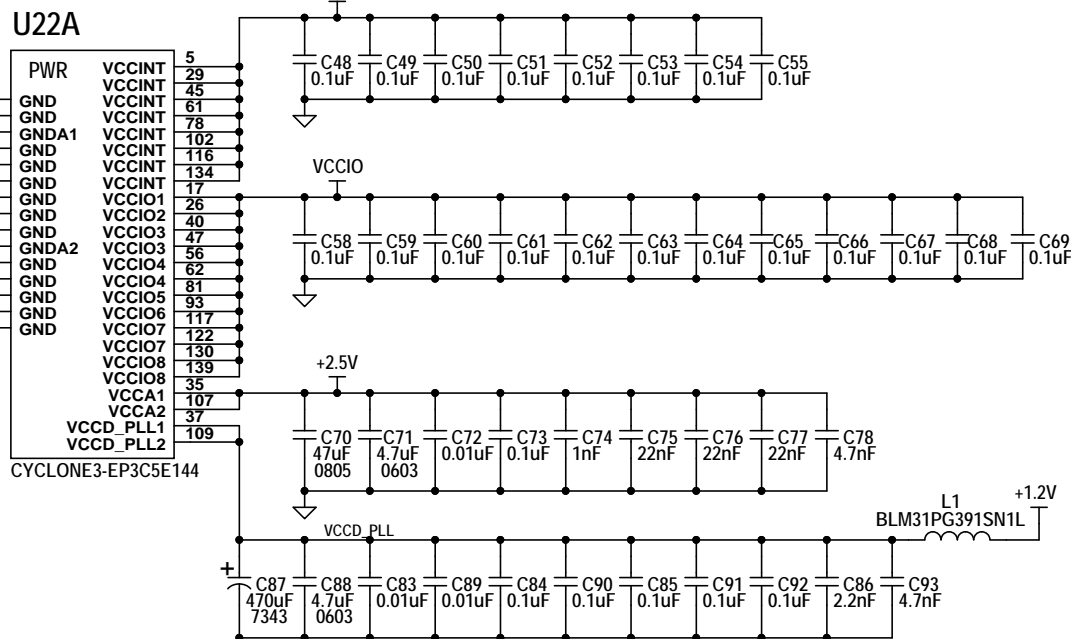
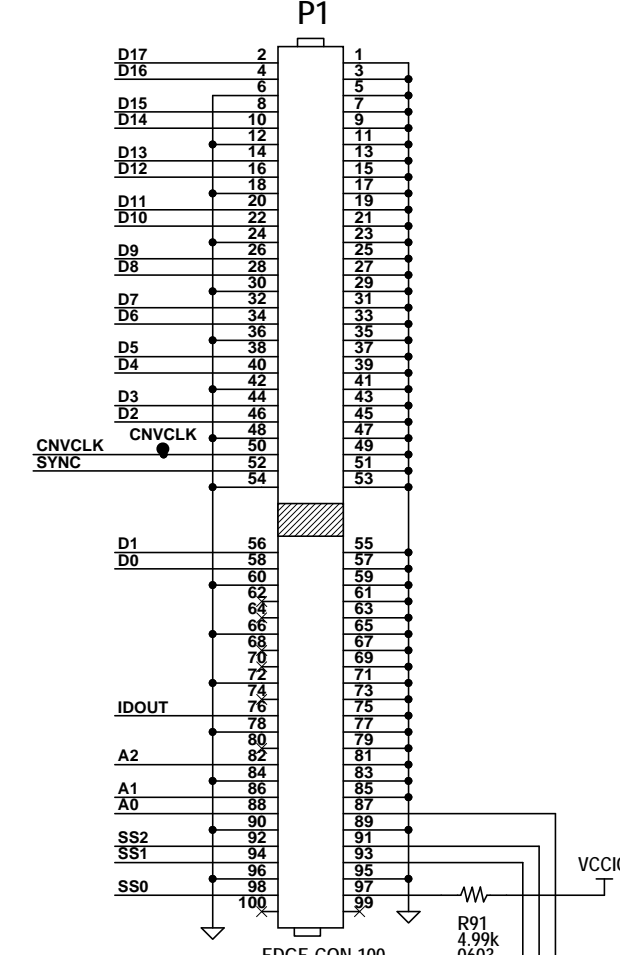
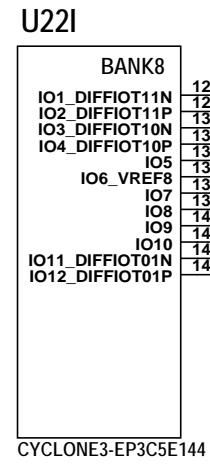
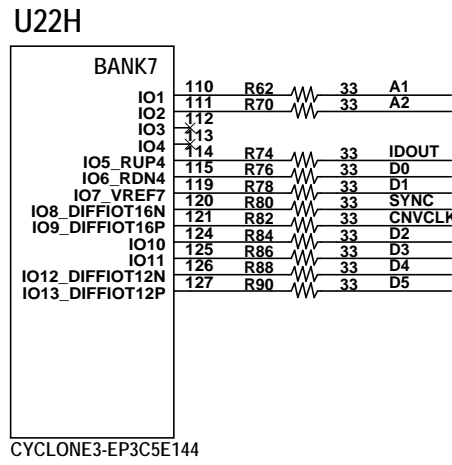
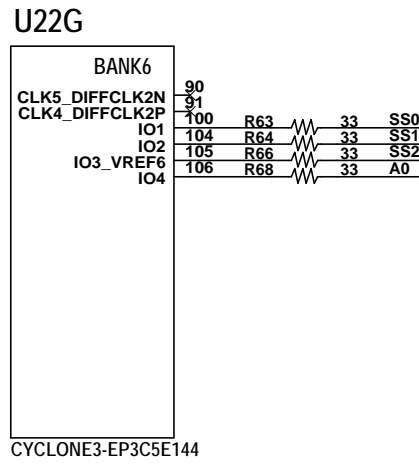
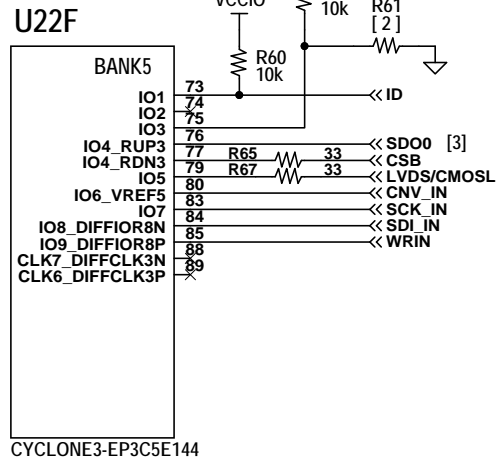
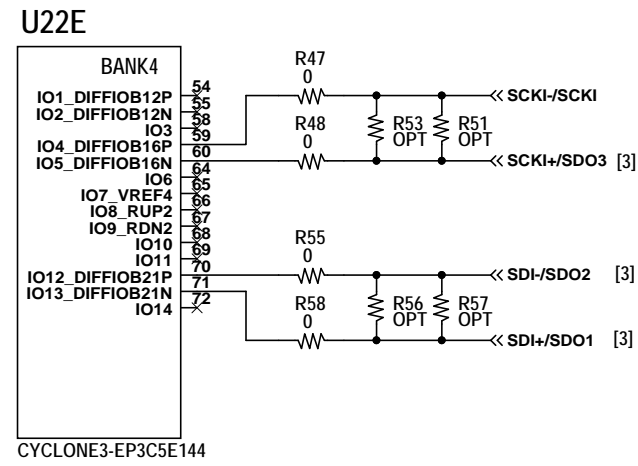
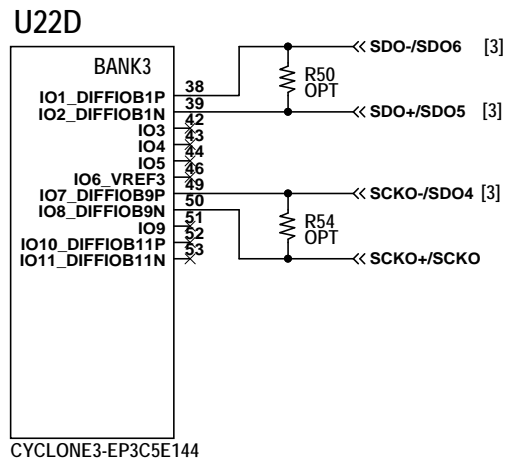
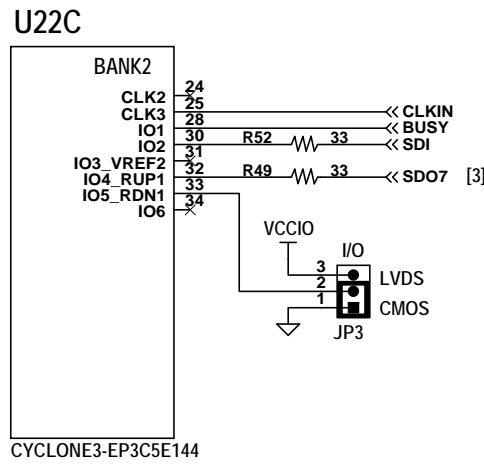
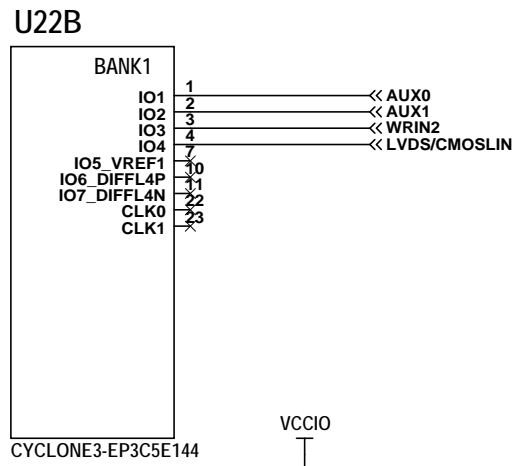
SCALE = NONE



NOTES: UNLESS OTHERWISE SPECIFIED

1. ALL RESISTORS AND CAPACITORS ON THIS PAGE ARE 0603.

<p>CUSTOMER NOTICE</p> <p>LINEAR TECHNOLOGY HAS MADE A BEST EFFORT TO DESIGN A CIRCUIT THAT MEETS CUSTOMER-SUPPLIED SPECIFICATIONS; HOWEVER, IT REMAINS THE CUSTOMER'S RESPONSIBILITY TO VERIFY PROPER AND RELIABLE OPERATION IN THE ACTUAL APPLICATION. COMPONENT SUBSTITUTION AND PRINTED CIRCUIT BOARD LAYOUT MAY SIGNIFICANTLY AFFECT CIRCUIT PERFORMANCE OR RELIABILITY. CONTACT LINEAR TECHNOLOGY APPLICATIONS ENGINEERING FOR ASSISTANCE.</p>		<p>APPROVALS</p>		<p>1630 McCarthy Blvd. Milpitas, CA 95035 Phone: (408)432-1900 www.linear.com Fax: (408)434-0507 LTC Confidential-For Customer Use Only</p>			
		PCB DES.	KIM T.		APP ENG.	GUY H.	
<p>THIS CIRCUIT IS PROPRIETARY TO LINEAR TECHNOLOGY AND SUPPLIED FOR USE WITH LINEAR TECHNOLOGY PARTS.</p>		<p>SCALE = NONE</p>		<p>TITLE: SCHEMATIC</p> <p>8/4/2-CHANNEL, BUFFERED SOFTSPAN SIMULTANEOUS SAMPLING AND MULTIPLEXED ADCS</p>			
		SIZE	B	IC NO.	LTC23XXILX FAMILY	REV.	2
		DATE: Friday, April 14, 2017		DEMO CIRCUIT 2365A		SHEET 2 OF 4	



NOTES: UNLESS OTHERWISE SPECIFIED

- ALL RESISTORS AND CAPACITORS ON THIS PAGE ARE 0402.
- R61 IS 0 OHMS ON ASSEMBLY TYPES A,B,C,D AND OPTIONAL ON E,F,G,H. (SEE "TABLE 3" ON PAGE 1).

[3]. SEE "TABLE 2" ON PAGE 1.

CUSTOMER NOTICE		APPROVALS				1630 McCarthy Blvd. Milpitas, CA 95035 Phone: (408)432-1900 www.linear.com Fax: (408)434-0507 LTC Confidential-For Customer Use Only	
LINEAR TECHNOLOGY HAS MADE A BEST EFFORT TO DESIGN A CIRCUIT THAT MEETS CUSTOMER-SUPPLIED SPECIFICATIONS; HOWEVER, IT REMAINS THE CUSTOMER'S RESPONSIBILITY TO VERIFY PROPER AND RELIABLE OPERATION IN THE ACTUAL APPLICATION. COMPONENT SUBSTITUTION AND PRINTED CIRCUIT BOARD LAYOUT MAY SIGNIFICANTLY AFFECT CIRCUIT PERFORMANCE OR RELIABILITY. CONTACT LINEAR TECHNOLOGY APPLICATIONS ENGINEERING FOR ASSISTANCE.		PCB DES.	KIM T.			TITLE: SCHEMATIC	REV. 2
THIS CIRCUIT IS PROPRIETARY TO LINEAR TECHNOLOGY AND SUPPLIED FOR USE WITH LINEAR TECHNOLOGY PARTS.		APP ENG.	GUY H.	8/4/2-CHANNEL, BUFFERED SOFTSPAN SIMULTANEOUS SAMPLING AND MULTIPLEXED ADCS		SIZE	IC NO.
SCALE = NONE		DATE: Monday, April 17, 2017		LTC23XXILX FAMILY DEMO CIRCUIT 2365A		SHEET 3 OF 4	

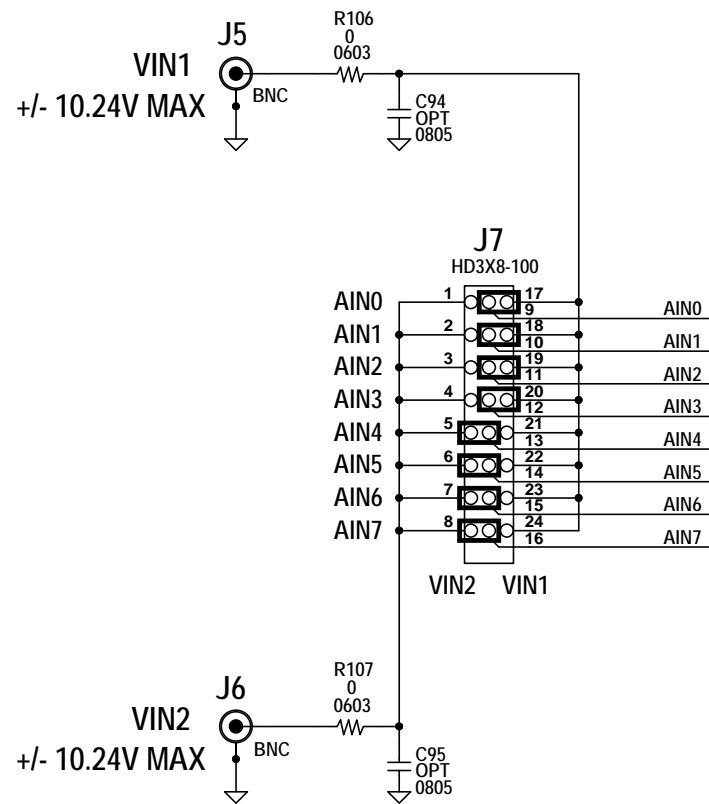
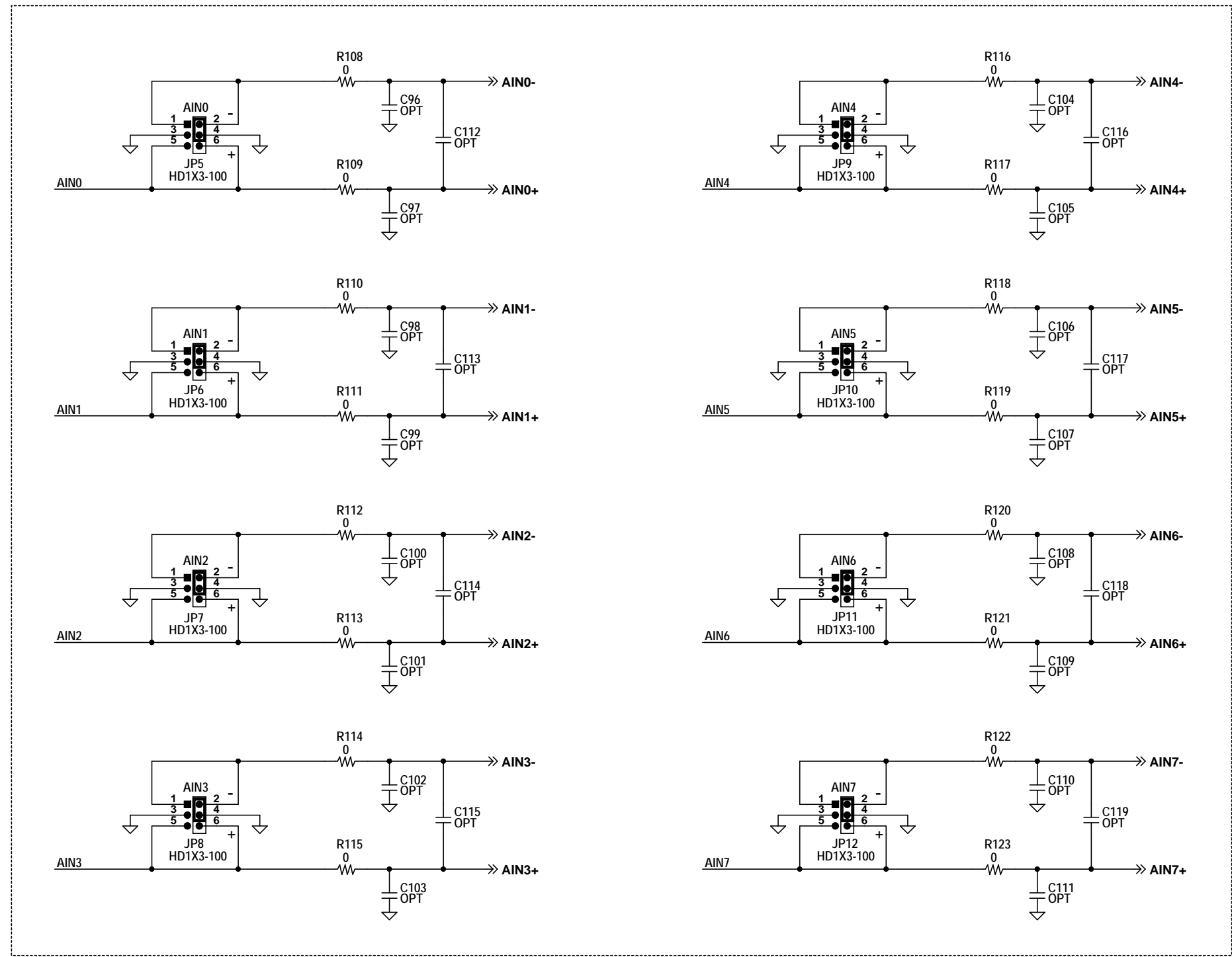


TABLE 4 - JUMPER OPTIONS

	AIN7 (JP12)	AIN6 (JP11)	AIN5 (JP10)	AIN4 (JP9)	AIN3 (JP8)	AIN2 (JP7)	AIN1 (JP6)	AIN0 (JP5)
8-CH	X	X	X	X	X	X	X	X
4-CH	X		X			X		X
2-CH			X			X		

NOTES: UNLESS OTHERWISE SPECIFIED

1. ALL RESISTORS AND CAPACITORS ON THIS PAGE ARE 0402.
2. FOR JP5 TO JP12, INSTALL ONLY 3 PINS JUMPER, HD1X3-100, AS SHOWN.



<p>CUSTOMER NOTICE</p> <p>LINEAR TECHNOLOGY HAS MADE A BEST EFFORT TO DESIGN A CIRCUIT THAT MEETS CUSTOMER-SUPPLIED SPECIFICATIONS; HOWEVER, IT REMAINS THE CUSTOMER'S RESPONSIBILITY TO VERIFY PROPER AND RELIABLE OPERATION IN THE ACTUAL APPLICATION. COMPONENT SUBSTITUTION AND PRINTED CIRCUIT BOARD LAYOUT MAY SIGNIFICANTLY AFFECT CIRCUIT PERFORMANCE OR RELIABILITY. CONTACT LINEAR TECHNOLOGY APPLICATIONS ENGINEERING FOR ASSISTANCE.</p>		<p>APPROVALS</p>		<p>1630 McCarthy Blvd. Milpitas, CA 95035 Phone: (408)432-1900 www.linear.com Fax: (408)434-0507 LTC Confidential-For Customer Use Only</p>	
		PCB DES.	KIM T.		APP ENG.
<p>THIS CIRCUIT IS PROPRIETARY TO LINEAR TECHNOLOGY AND SUPPLIED FOR USE WITH LINEAR TECHNOLOGY PARTS.</p>		SCALE = NONE	<p>TITLE: SCHEMATIC 8/4/2-CHANNEL, BUFFERED SOFTSPAN SIMULTANEOUS SAMPLING AND MULTIPLEXED ADCS</p>		
		SIZE	IC NO.	LTC23XXILX FAMILY	REV.
		B		DEMO CIRCUIT 2365A	2
		DATE:	Monday, April 17, 2017		SHEET 4 OF 4