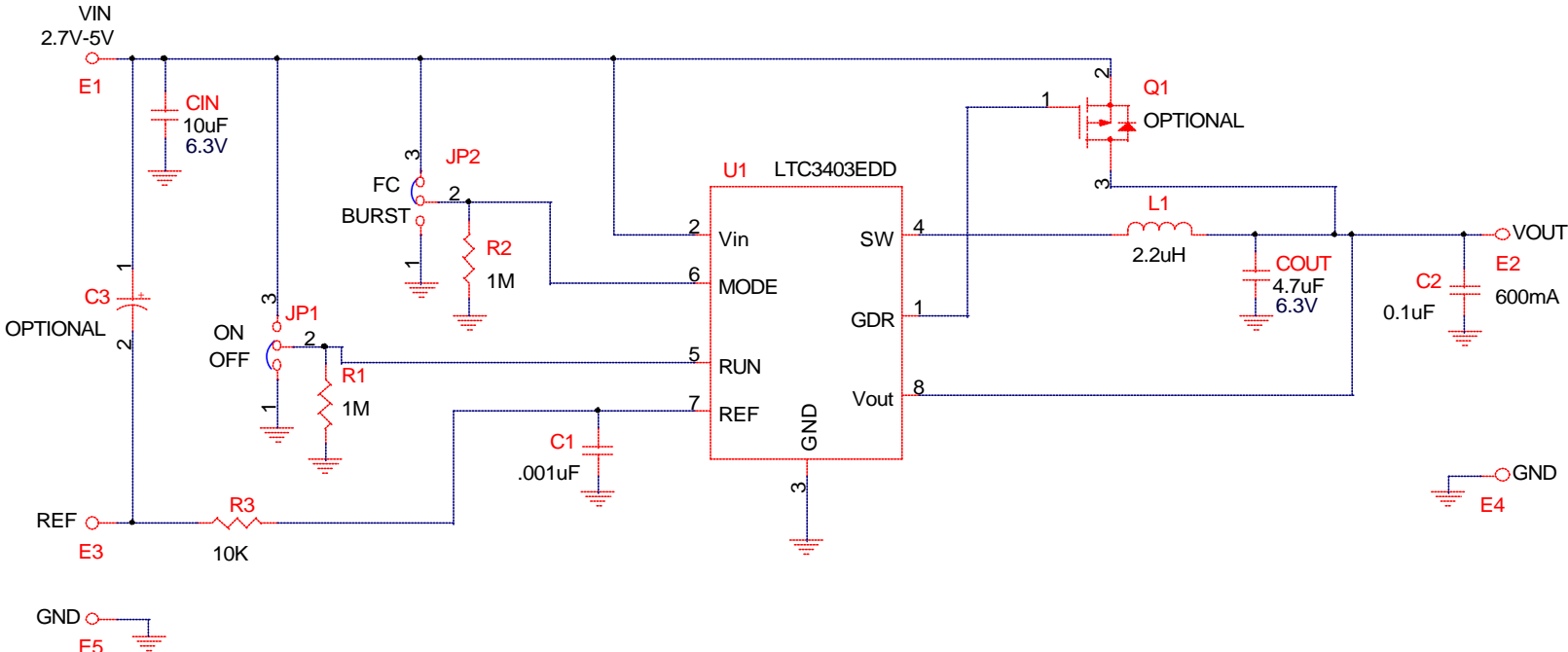



REVISION HISTORY				
ECO	REV	DESCRIPTION	DATE	APPROVED
	3	PROTO	07/30/02	



CONTRACT NO.		 <b>LINEAR</b> TECHNOLOGY <small>1630 McCarthy Blvd. Milpitas, CA 95035 Phone: (408)432-1900 Fax: (408)434-0507</small>							
APPROVALS									
DRAWN	MEI	DATE	07/30/02	<b>TITLE</b> LTC3403EDD, WCDMA CELLULAR PHONE BUCK REGULATOR					
CHECKED									
APPROVED									
ENGINEER									
DESIGNER				SIZE	CAGE CODE	DWG NO	DC560A	REV	3
Thursday, December 12, 2002		SCALE:	FILENAME:	560A-3.DSN	SHEET	1	OF	1	