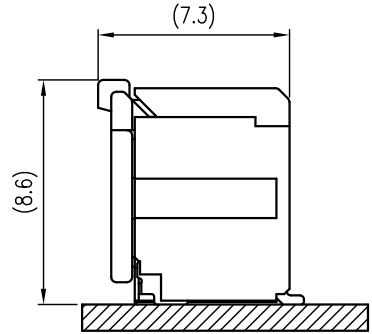
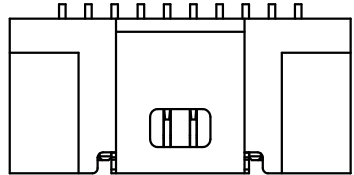


This document is the property of Amphenol Corporation and is delivered on the express condition that is not to be disclosed, reproduced or used, in whole or in part, for manufacture or sale by anyone other than Amphenol Corporation without its prior consent, and that no right is granted to disclose or to use any information in this document.

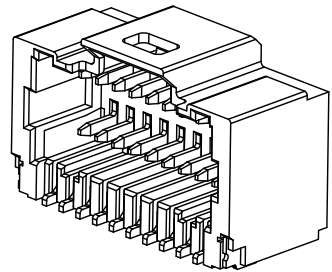
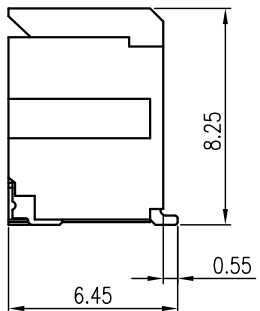
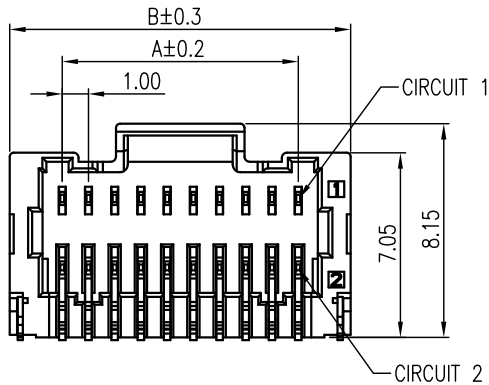
The marking on this product doesn't contain environmental hazardous materials per Material Specification 55-00259 for Sony GP compliant or per directive 2011/65/EU for RoHS compliant.

FOR REFERENCE ONLY

REVISIONS				
SYM	ECN No.	DESCRIPTION	DATE	APPROVED
AX1	EDSR#6671	NON-RELEASE TO PRODUCTION	09/14/2016	Roger Tsai
AX2		UPDATE DRAWING	10/03/2016	Roger Tsai
AX3	EDSR#6783	UPDATE DRAWING	11/08/2016	Roger Tsai
AX4	EDSR#6956	ADDED PACKAGING	12/22/2016	Roger Tsai



MATING CONDITION (REF.)



PART NO. G846A XX 1 X 0 X T7HR

NO. OF POS. ——— X ——— X ——— X

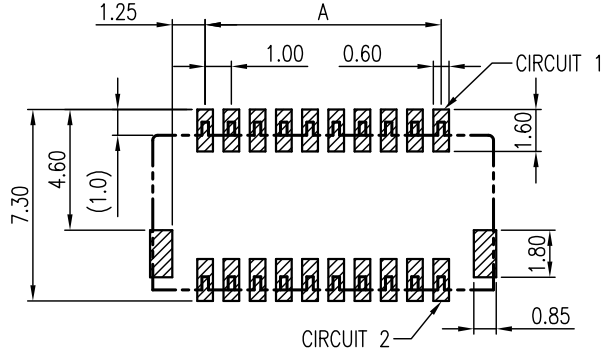
CONTACT FINISH ——— X ——— X

1: GOLD FLASH
2: 15μ" GOLD

COLOR
0: NATURAL
1: BLACK

NOTES:

- MATERIAL:
HOUSING: NYLON 4T, UL 94V-0, COLOR: OPTION.
CONTACT: COPPER ALLOY.
SOLDER TAB: COPPER ALLOY.
- FINISH:
CONTACT:
CONTACT AREA: SELECTIVE PLATING THICKNESS MIN.;
SOLDERING AREA: MATTE TIN PLATING 100μ" THICKNESS MIN.;
UNDER PLATING: NICKEL PLATING 50μ" THICKNESS MIN. OVERALL.
SOLDER TAB: MATTE TIN PLATING 100μ" THICKNESS MIN.;
NICKEL PLATING 50μ" THICKNESS MIN. OVERALL.
- PACKING IS PER AMTA PACKING SPECIFICATION PKS-0001.
- THIS PRODUCT IS HALOGEN-FREE PRODUCT.



RECOMMENDED PCB LAYOUT
ALL TOLERANCE ARE ±0.05

PIN	DIM.(mm)	
	A	B
2x10	9.00	13.00
2x15	14.00	18.00
2x20	19.00	23.00
2x25	24.00	28.00

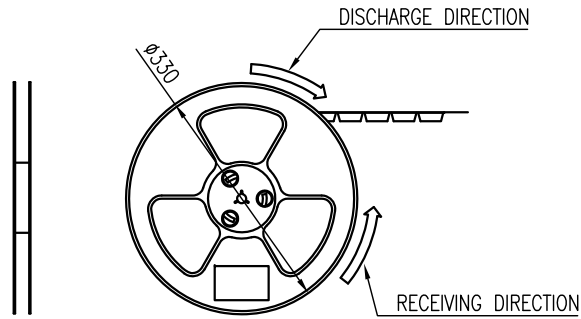
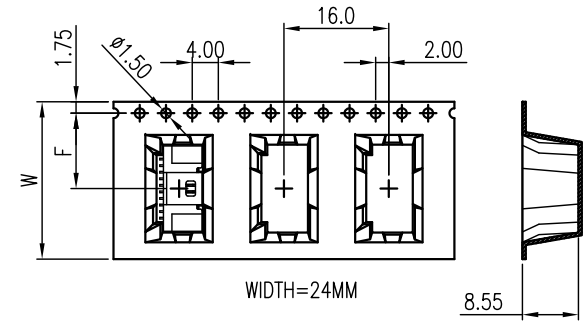
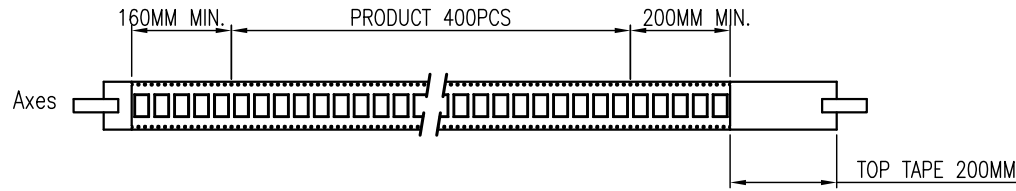
TOLERANCE		APPROVALS		DATE	TITLE		PART No.		
X.		DRAWN	Aqua Chou	12/22/2016	G846A SERIES, WTB CONN		Amphenol®		
X.X	±0.30	CHECKED	Roger Tsai	12/22/2016	1.00 PITCH, DUAL ROWS,		Amphenol Corporation		
X.XX	±0.20	APPROVED	Roger Tsai	12/22/2016	R/A, SMT TYPE		Amphenol Taiwan Corporation		
X.XXX	±0.10	DWG TYPE	CUST DWG	PROJECT CODE	BHD	UNIT	mm	SIZE	A3
ANGULAR	±1°					SCALE	NA	SHEET	1 OF 2
UNLESS OTHERWISE SPECIFIED						PART No.		G846AXX1X0XT7HR	
						DWG No.		G846AXX1X0XT7HR	
						REV.		AX4	

This document is the property of Amphenol Corporation and is delivered on the express condition that is not to be disclosed, reproduced or used, in whole or in part, for manufacture or sale by anyone other than Amphenol Corporation without its prior consent, and that no right is granted to disclose or to use any information in this document.

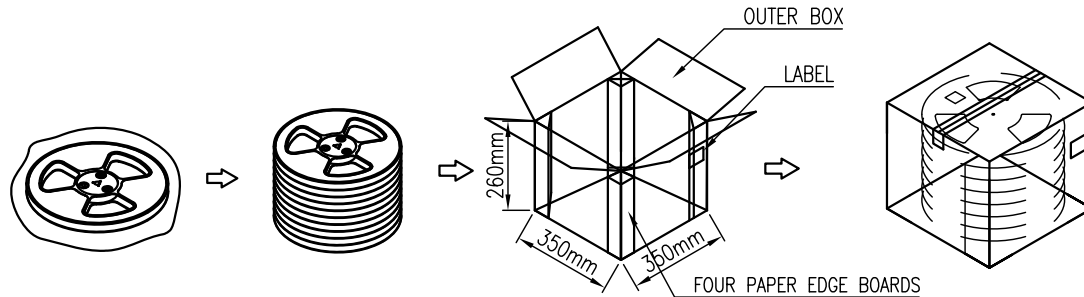
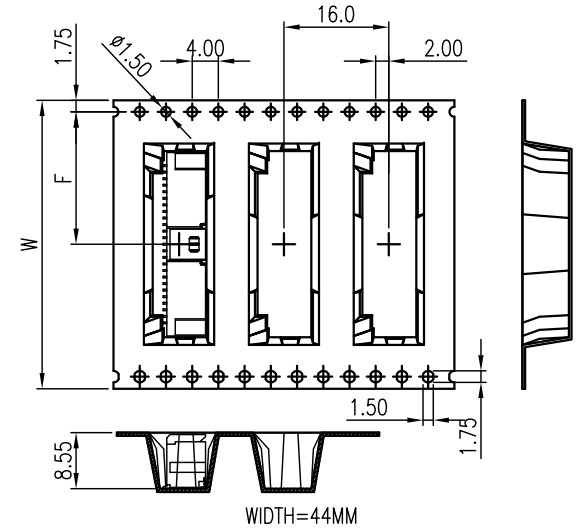
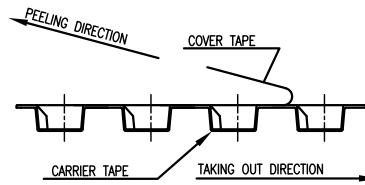
The marking on this product doesn't contain environmental hazardous materials per Material Specification 55-00259 for Sony GP compliant or per directive 2011/65/EU for RoHS compliant.

FOR REFERENCE ONLY

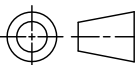
REVISIONS				
SYM	ECN No.	DESCRIPTION	DATE	APPROVED
AX1	EDSR#6671	NON-RELEASE TO PRODUCTION	09/14/2016	Roger Tsai
AX2		UPDATE DRAWING	10/03/2016	Roger Tsai
AX3	EDSR#6783	UPDATE DRAWING	11/08/2016	Roger Tsai
AX4	EDSR#6956	ADDED PACKAGING	12/22/2016	Roger Tsai



COVER TAPE PEEL STRENGTH: 20~120g
PEEL SPEED: 300mm/minute



25X2=50	44	20.20	400	5R	2000
10X2=20	24	11.50	400	8R	3200
PIN NO.	W	F	REEL /PCS	CARTON /R	CARTON /PCS

TOLERANCE		APPROVALS		DATE	TITLE		Amphenol®			
X.		DRAWN		Aqua Chou	12/22/2016	G846A SERIES, WTB CONN 1.00 PITCH, DUAL ROWS, R/A, SMT TYPE	Amphenol Corporation Amphenol Taiwan Corporation			
X.X	±0.30	CHECKED		Roger Tsai	12/22/2016		PART No. G846AXX1X0XT7HR			
X.XX	±0.20	APPROVED		Roger Tsai	12/22/2016		DWG No. G846AXX1X0XT7HR			
X.XXX	±0.10					 UNIT mm SCALE NA SIZE A3 SHEET 2 OF 2	REV. AX4			
ANGULAR	±1°	DWG TYPE		CUST DWG	PROJECT CODE		BHD			
UNLESS OTHERWISE SPECIFIED										