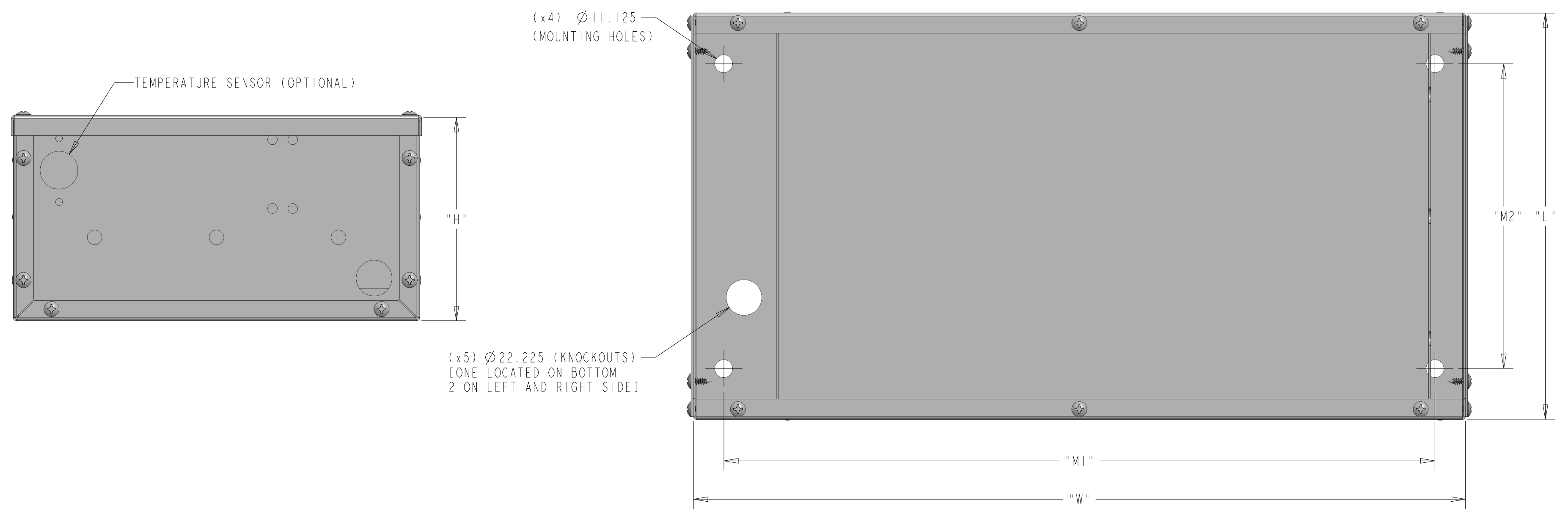
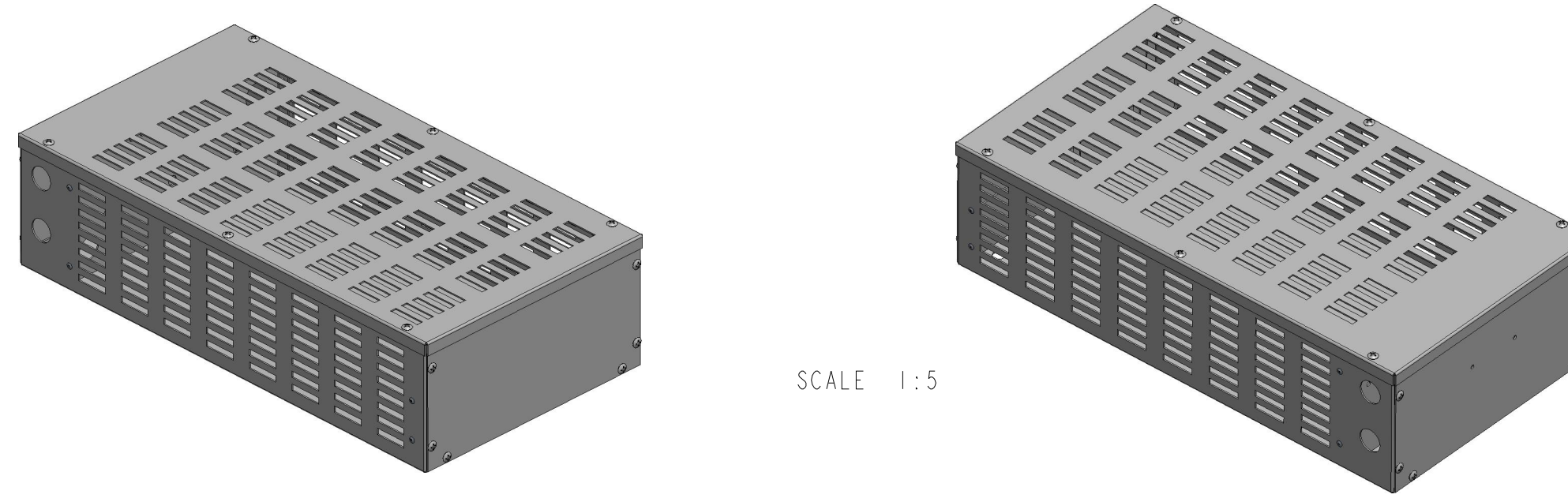



REVISIONS				
P	LTR	DESCRIPTION	DATE	APVD
A		INITIAL RELEASE	07OCT2021	KS AP

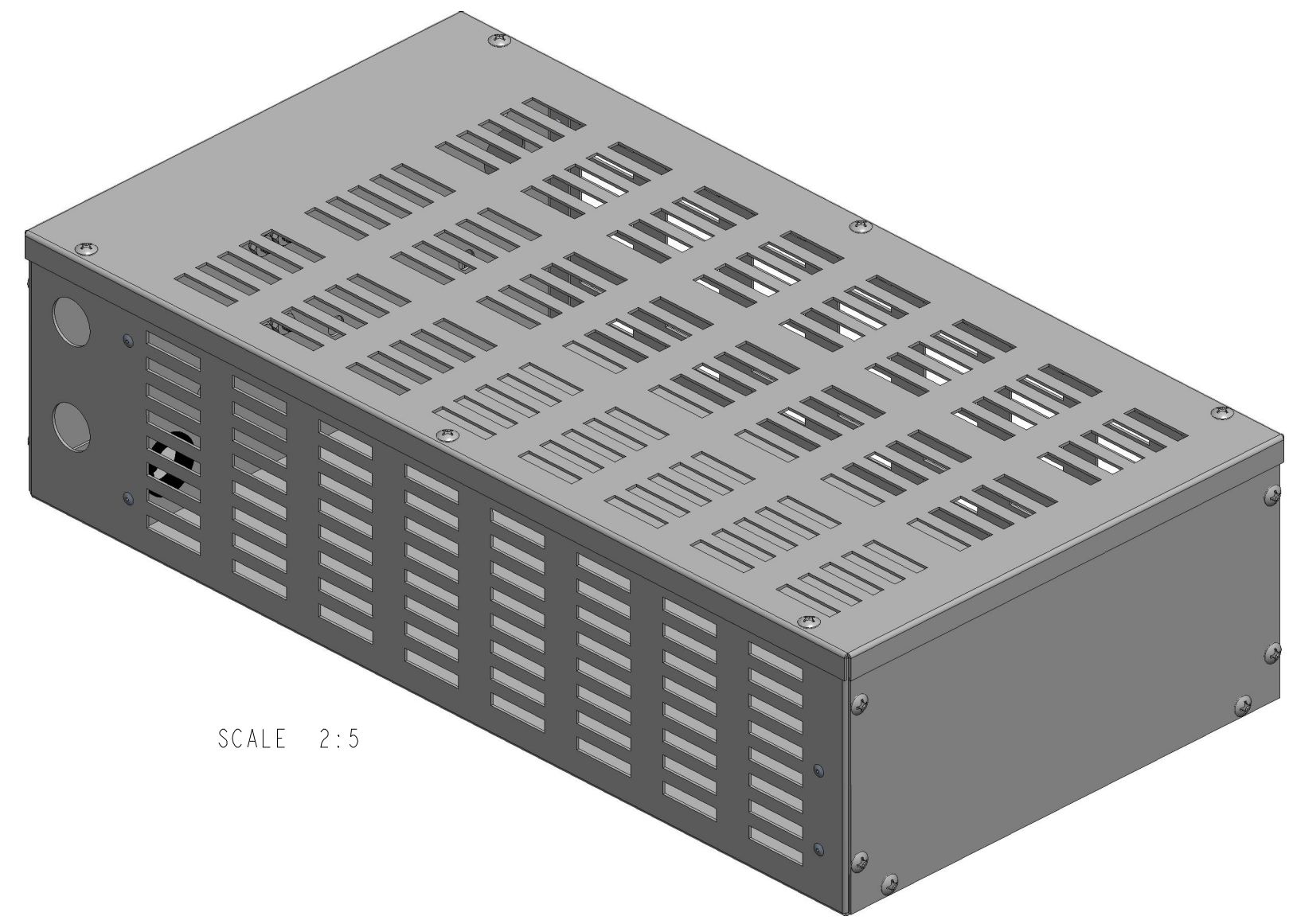


PART NUMBER	W (mm)	L (mm)	H (mm)	M1 (mm)	M2 (mm)	TOTAL RESISTANCE	H.P.	DUTY CYCLE	DRIVE VOLTAGE	BRAKING TORQUE
HPBA020F400R050E	483	254	127	445	191	400 Ohms ± 10%	2.00	50%	575 V	150%

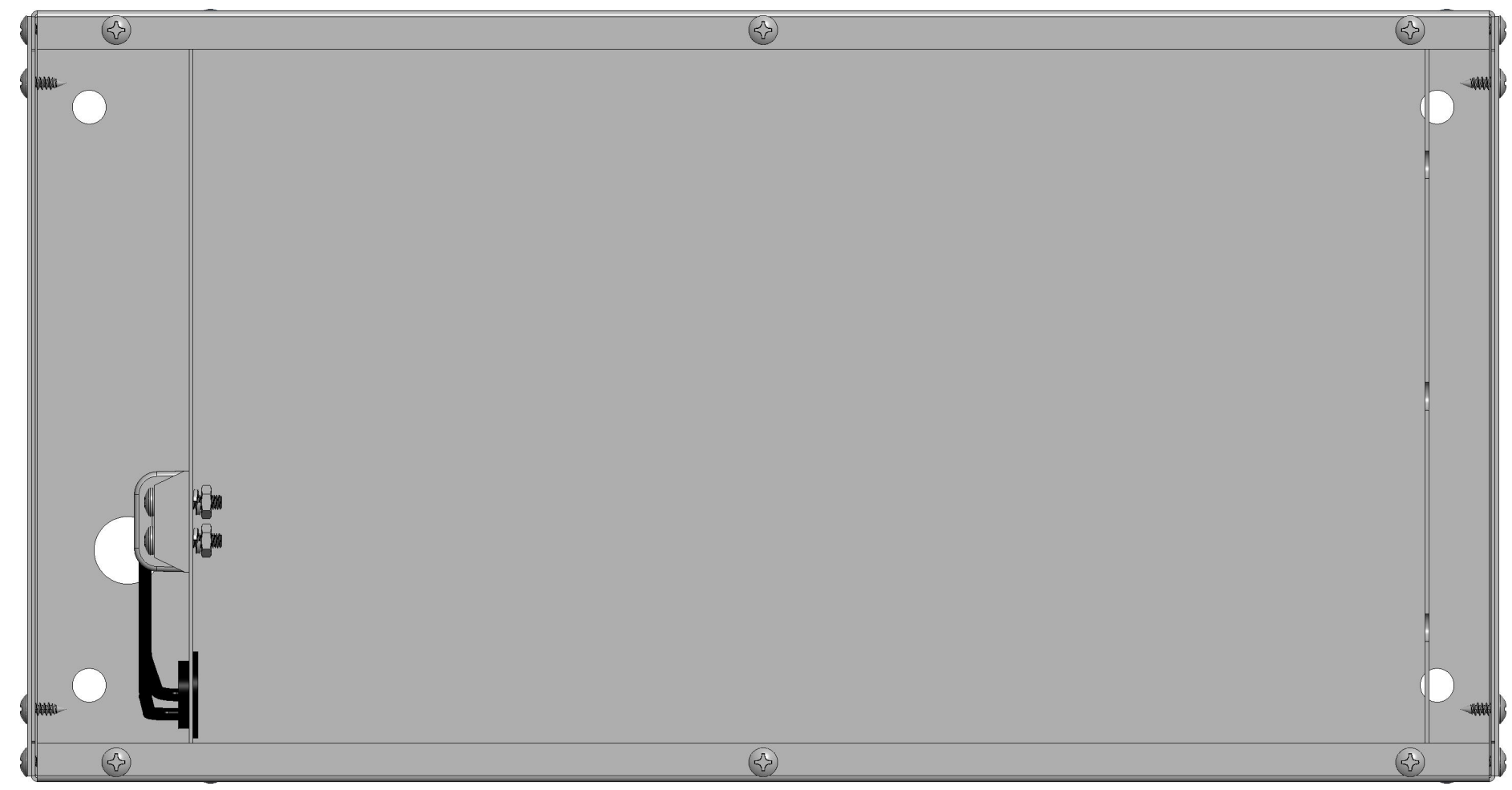
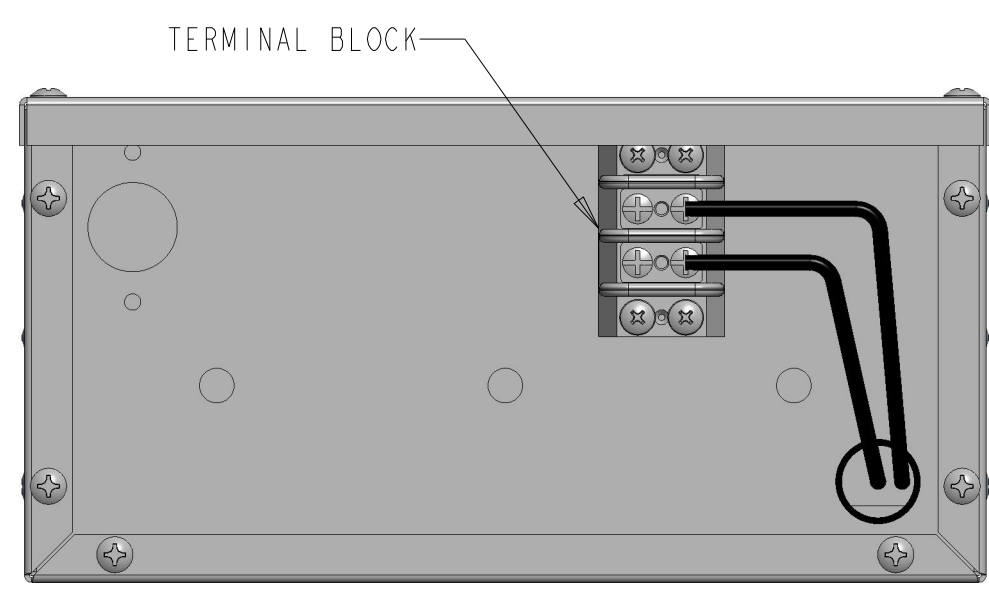
NOTE:
1. FOR FURTHER TECHNICAL INFORMATION PLEASE SEE THE DATASHEET FOR THE HPBA SERIES

THIS DRAWING IS A CONTROLLED DOCUMENT.		DWN S. KARTHIK 22-09-2021	 TE Connectivity	
DIMENSIONS: mm		CHK ALLAN PILE 22-09-2021		
TOLERANCES UNLESS OTHERWISE SPECIFIED:		APVD ALLAN PILE 22-09-2021	NAME BRAKING RESISTOR ASSEMBLY TYPE HPBA SERIES HPBA020F400R050E	
0 PLC ± 1 PLC ± 2 PLC ±0.50 3 PLC ±0.500 4 PLC ± ANGLES ± FINISH -		PRODUCT SPEC -	RESTRICTED TO -	
MATERIAL -		APPLICATION SPEC -	SIZE A2	CAGE CODE 00779
		WEIGHT -	DRAWING NO G-5-2176470-5	
		CUSTOMER DRAWING	SCALE 1:2	SHEET 1 OF 2
			REV A	

REVISIONS					
P	LTR	DESCRIPTION	DATE	DWN	APVD
		SEE SHEET 1			



SCALE 2:5



THIS DRAWING IS A CONTROLLED DOCUMENT.		DWN S. KARTHIC 22-09-2021				
DIMENSIONS: mm		CHK ALLAN PILE 22-09-2021				
TOLERANCES UNLESS OTHERWISE SPECIFIED:		APVD ALLAN PILE 22-09-2021	NAME BRAKING RESISTOR ASSEMBLY TYPE HPBA SERIES HPBA020F400R050E			
		PRODUCT SPEC	SIZE			
0 PLC ± 1 PLC ± 2 PLC ±0.50 3 PLC ±0.500 4 PLC ± ANGLES ± FINISH		APPLICATION SPEC	CAGE CODE	DRAWING NO	RESTRICTED TO	
MATERIAL		WEIGHT	A2	00779	C-5-2176470-5	-
		CUSTOMER DRAWING	SCALE	SHEET	OF	REV
			1:2	2	2	A