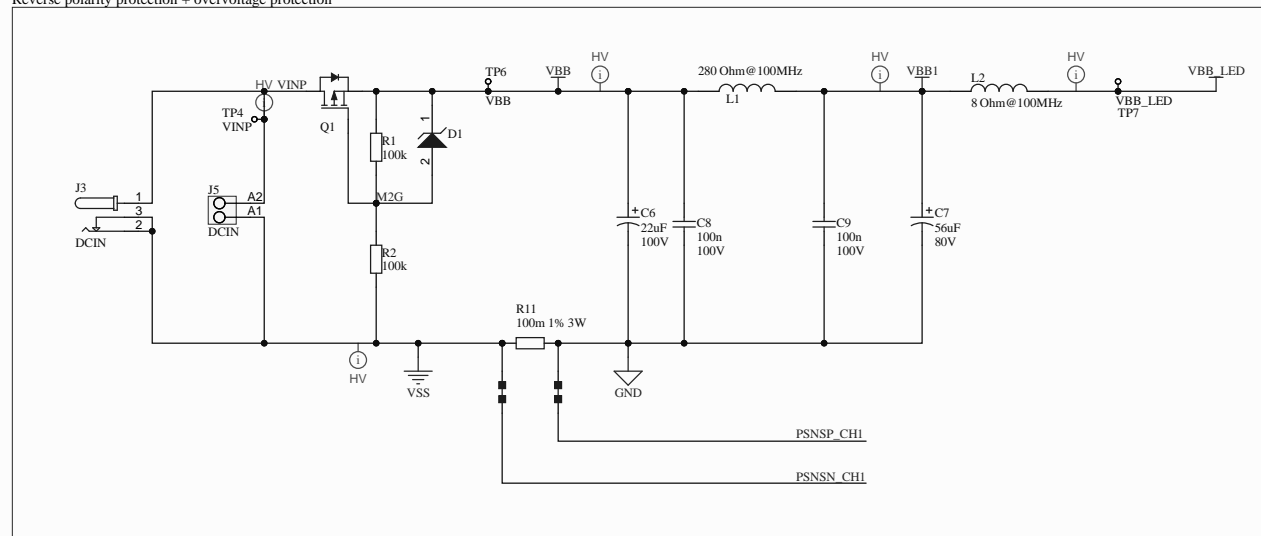
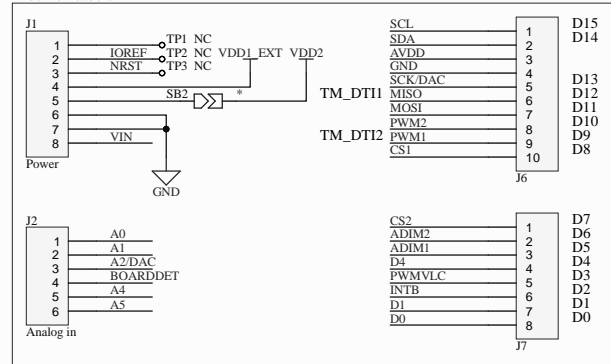


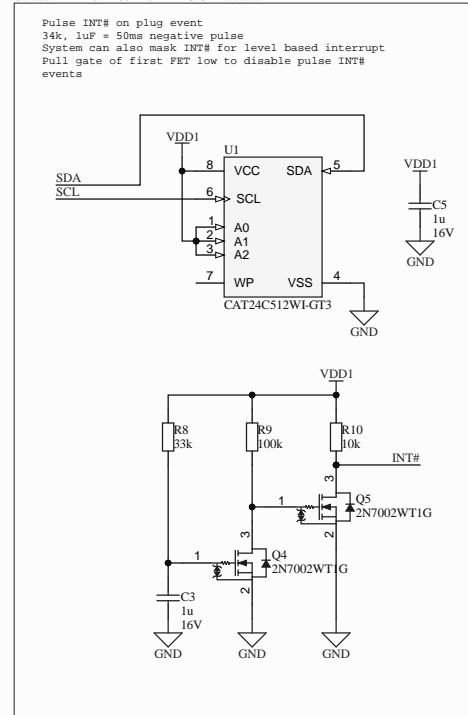
Reverse polarity protection + overvoltage protection



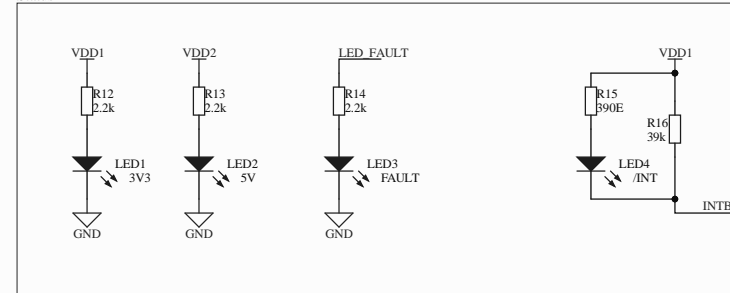
Arduino headers



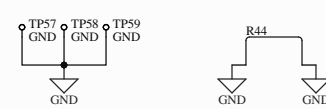
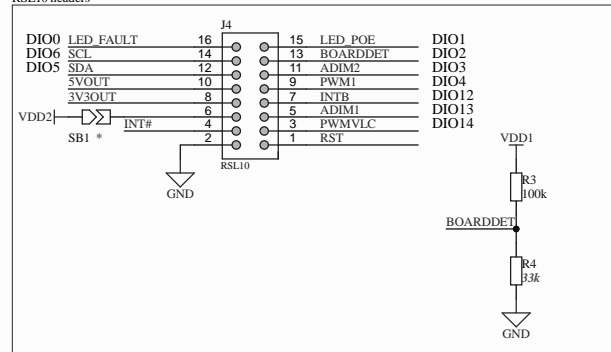
Strata EEPROM & HOT PLUG Detection



Status



RSL10 headers



L* L*



