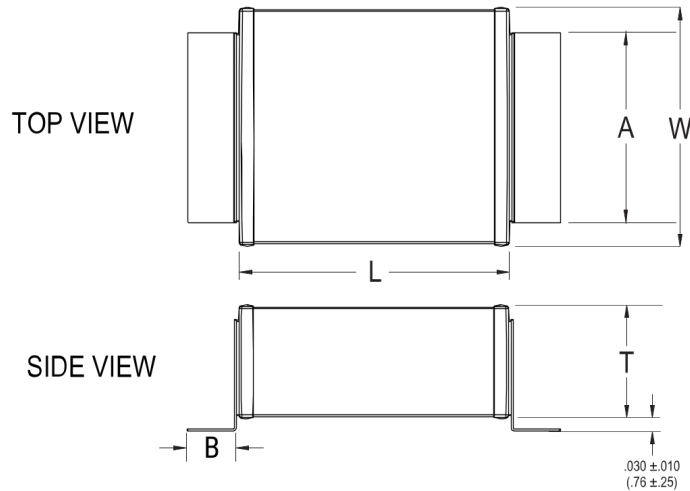


## SM22B224K501A

KPS SM SMD Indust X7R HV, Ceramic, 0.22 uF, 10%, 500 VDC, X7R, SMD, Fixed, High Volt, Low ESR, Leaded, Industrial, SM22



Click [here](#) for the 3D model.

| Dimensions |                   |
|------------|-------------------|
| Chip Size  | SM22              |
| L          | 6.35mm +/-0.508mm |
| W          | 5.08mm +/-0.508mm |
| T          | 4.572mm MAX       |
| A          | 2.54mm MAX        |
| B          | 2.54mm +/-0.508mm |

| Packaging Specifications |      |
|--------------------------|------|
| Packaging                | Tray |
| Packaging Quantity       | 50   |

| General Information |  |
|---------------------|--|
| Series              | KPS SM SMD Indust X7R HV                           |
| Style               | SMD Chip   |
| Description         | SMD, Fixed, High Volt, Low ESR, Leaded, Industrial |
| Features            | High Voltage, Low ESR, Industrial Grade            |
| RoHS                | With Exemptions                                    |
| REACH               | SVHC (Pb - CAS 7439-92-1)                          |
| Termination         | Silver   |
| Marking             | No   |
| AEC-Q200            | No   |
| Shelf Life          | 78 Weeks   |
| MSL                 | 1  |

| Specifications                  |            |
|---------------------------------|------------|
| Capacitance                     | 0.22 uF    |
| Capacitance Tolerance           | 10%        |
| Voltage DC                      | 500 VDC    |
| Dielectric Withstanding Voltage | 750 VDC    |
| Temperature Range               | -55/+125°C |
| Temperature Coefficient         | X7R        |
| Dissipation Factor              | 2.5%       |
| Insulation Resistance           | 4.5 GOhms  |
| Quality Factor                  | 3          |

Statements of suitability for certain applications are based on our knowledge of typical operating conditions for such applications, but are not intended to constitute - and we specifically disclaim - any warranty concerning suitability for a specific customer application or use. This information is intended for use only by customers who have the requisite experience and capability to determine the correct products for their application. Any technical advice inferred from this information or otherwise provided by us with reference to the use of our products is given gratis, and we assume no obligation or liability for the advice given or results obtained.