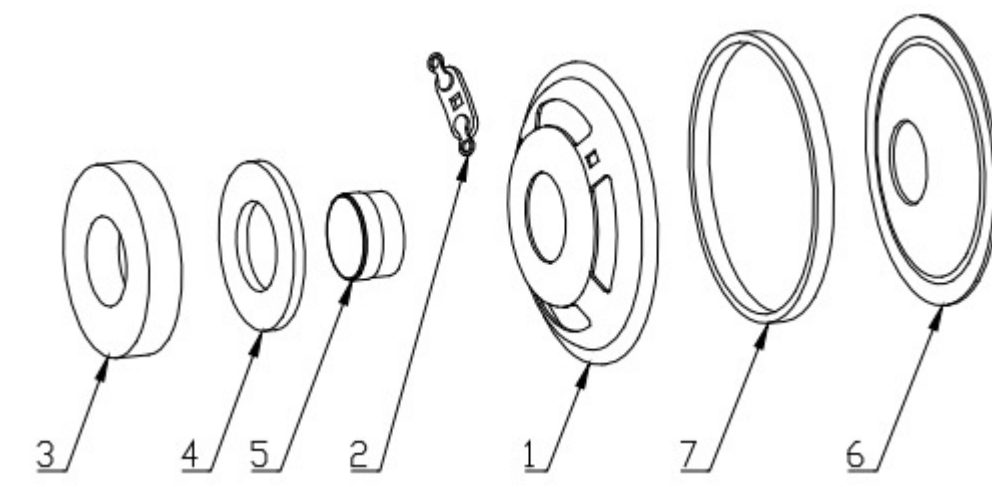
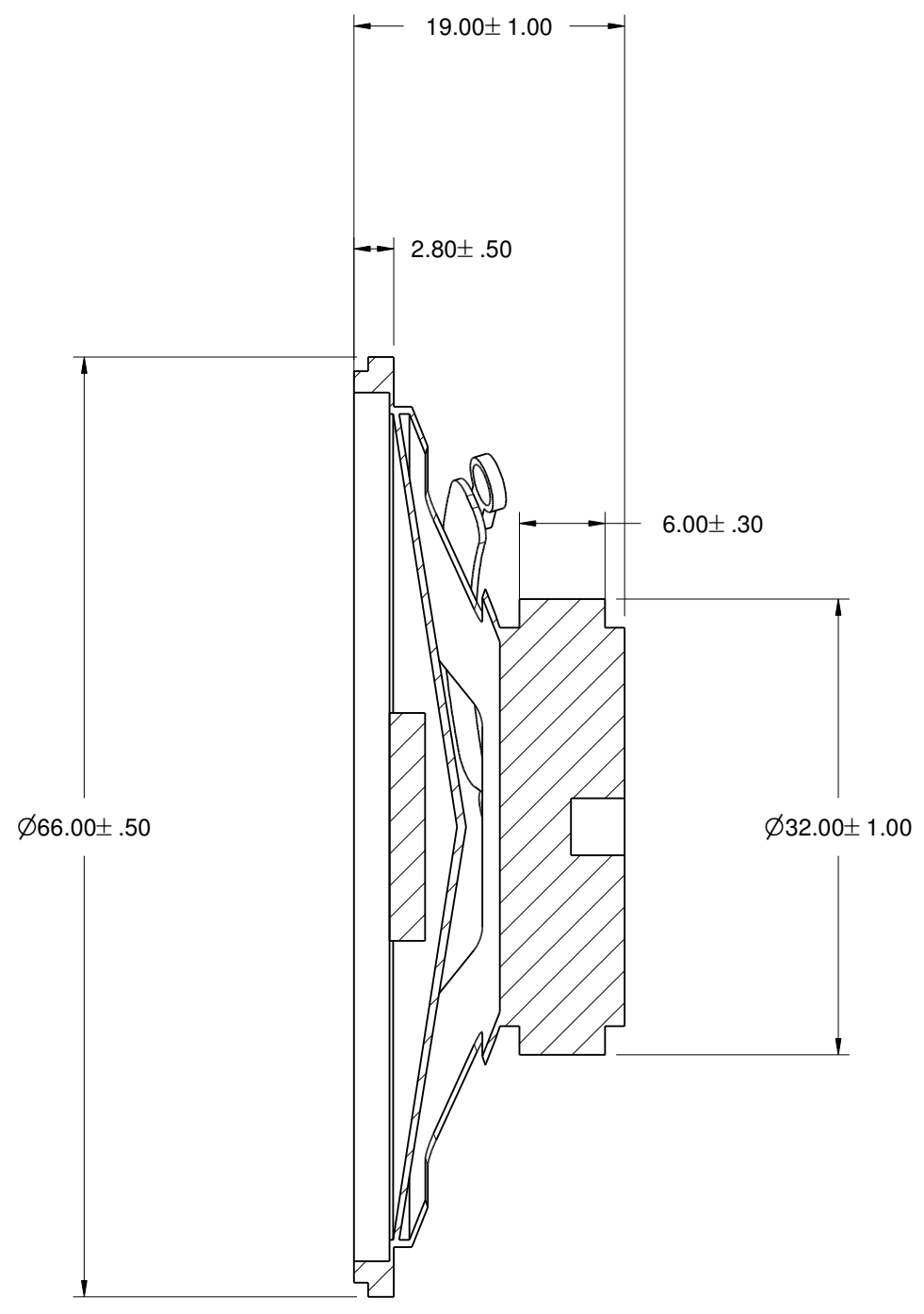
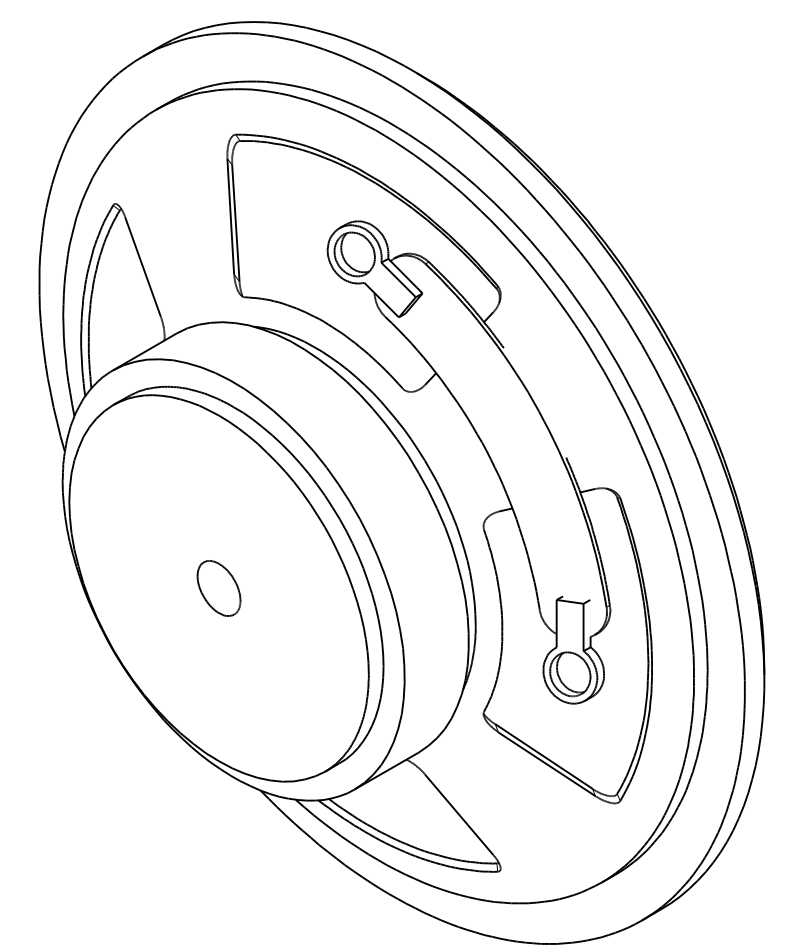
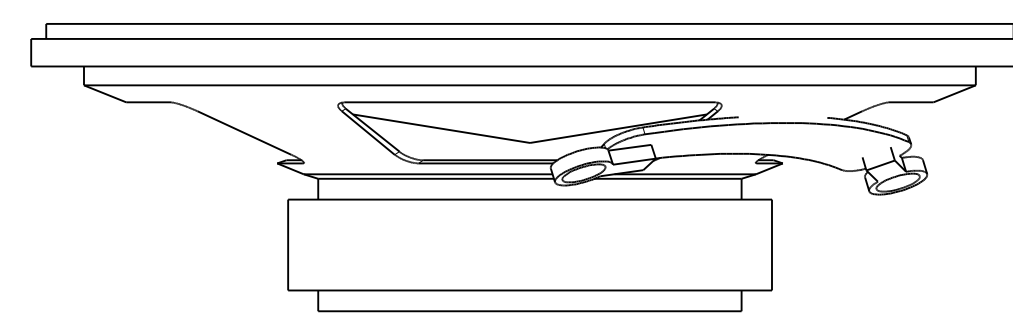


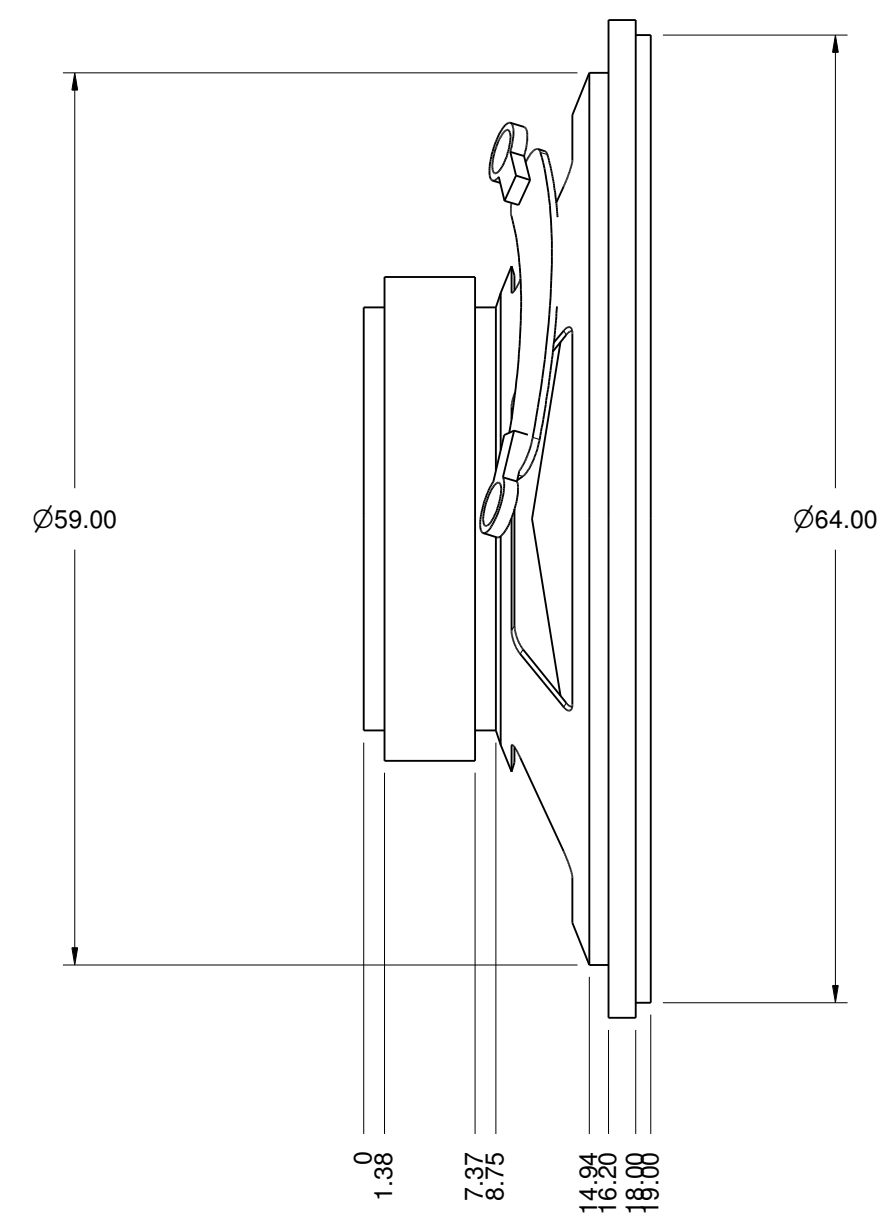
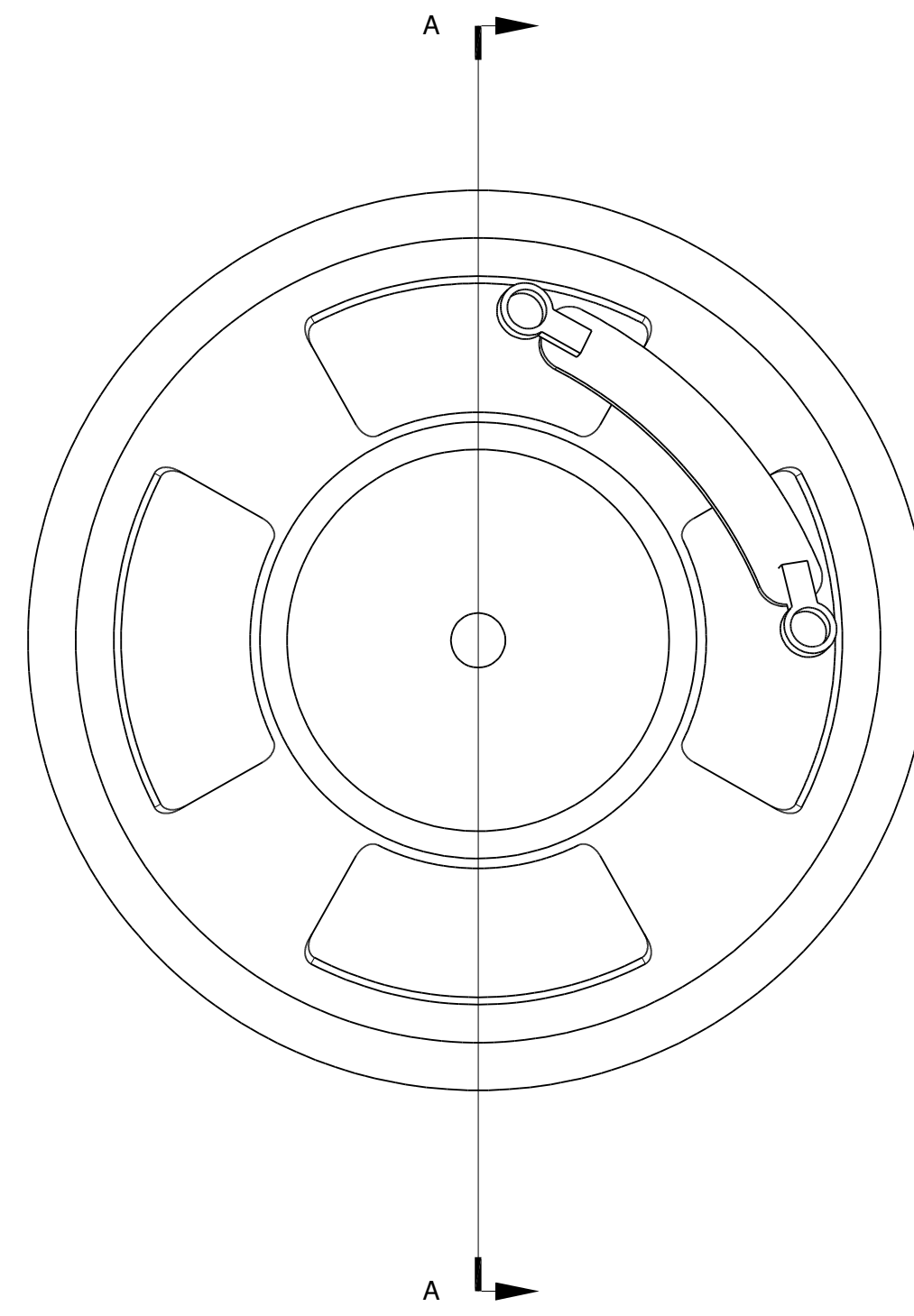
| REVISIONS |     |             |      |          |
|-----------|-----|-------------|------|----------|
| ZONE      | REV | DESCRIPTION | DATE | APPROVED |
|           |     |             |      |          |



| no | item         | material     | quantity |
|----|--------------|--------------|----------|
| 1  | Frame        | Metal        | 1        |
| 2  | PCB Terminal | Paper+metal  | 1        |
| 3  | Magnet       | Ferrite      | 1        |
| 4  | Plate        | SPCC         | 1        |
| 5  | Voice Coil   | Paper+Cu     | 1        |
| 6  | Diaphragm    | Foam + paper | 1        |
| 7  | Casket       | Paper        | 1        |



Section A-A



|       |          |         |        |
|-------|----------|---------|--------|
| SIZE  | FSCM NO. | DWG NO. | REV    |
| D     |          | SP-6619 |        |
| SCALE | SHEET    |         | 1 OF 1 |
| 1:1   |          |         |        |