

### General Description

The **XR75100** is a synchronous step-down controller for point-of load supplies up to 20A. A wide 5.5V to 40V input voltage range allows for single supply operation from industry standard 12V, 18V, and 24V DC and AC rails.

With a proprietary emulated current mode Constant On-Time (COT) control scheme, the XR75100 provides extremely fast line and load transient response using ceramic output capacitors. It requires no loop compensation hence simplifying circuit implementation and reducing overall component count. The control loop also provides exceptional load and line regulation and maintains constant operating frequency. A selectable power saving mode allows the user to operate in discontinuous mode (DCM) at light current loads, thereby significantly increasing the converter efficiency.

A host of protection features, including over-current, over-temperature, short-circuit and UVLO, help achieve safe operation under abnormal operating conditions.

The XR75100 is available in a RoHS compliant, green / halogen free space-saving 16-pin 3x3mm QFN package.

### FEATURES

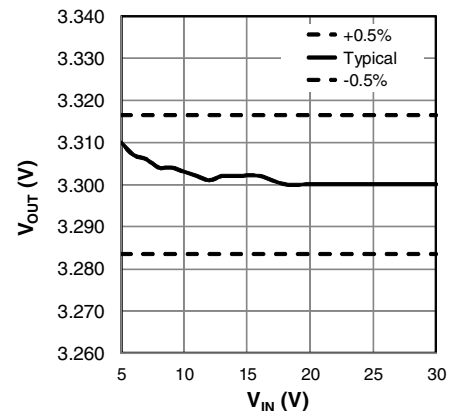
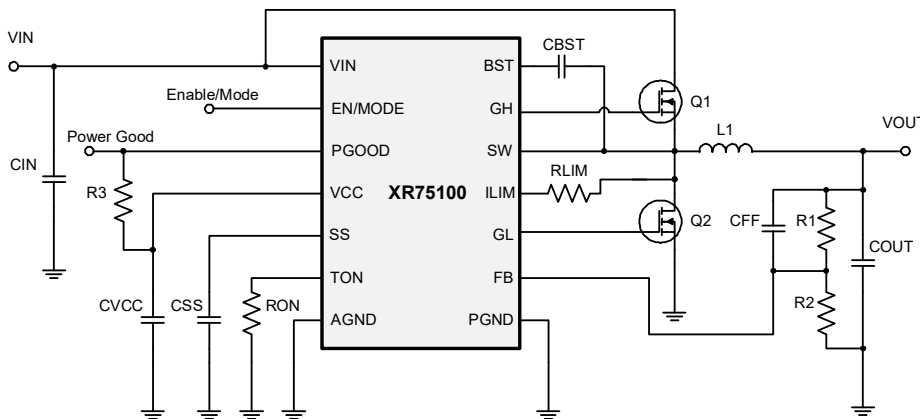
- 20A capable step-down controller
  - Wide 5.5V to 40V input voltage range
  - Integrated high current 2A / 3A drivers
  - 0.6 to 30V adjustable output voltage
- Proprietary Constant On-Time control
  - No loop compensation required
  - Stable ceramic output capacitor operation
  - Programmable 200ns to 2μs on-time
  - Constant 100kHz to 800kHz frequency
  - Selectable CCM or CCM / DCM operation
- Programmable hiccup current limit with thermal compensation
- Precision enable and Power Good flag
- Programmable soft-start
- Integrated bootstrap diode
- 16-pin QFN package

### APPLICATIONS

- Networking and communications
- Fast transient Point-of-Loads
- Industrial and medical equipment
- Embedded high power FPGA

Ordering Information – [back page](#)

### Typical Application



**Absolute Maximum Ratings**

Stresses beyond the limits listed below may cause permanent damage to the device. Exposure to any Absolute Maximum Rating condition for extended periods may affect device reliability and lifetime.

$V_{IN}$ .....-0.3V to 43V  
 $V_{CC}$ .....-0.3V to 6.0V  
 BST.....-0.3V to 48V<sup>2</sup>  
 BST-SW.....-0.3V to 6V  
 SW, ILIM.....-5V to 43V<sup>1, 2</sup>  
 GH.....-0.3V to BST+0.3V  
 GH-SW.....-0.3V to 6V  
 ALL other pins.....-0.3V to  $V_{CC}+0.3V$   
 Storage temperature.....-65°C to +150°C  
 Junction temperature.....150°C  
 Power dissipation.....Internally Limited  
 Lead temperature (soldering, 10 sec).....300°C  
 ESD rating (HBM - Human Body Model).....2kV

**Operating Conditions**

$V_{IN}$ .....-0.3V to 40V  
 $V_{CC}$ .....-0.3V to 5.5V  
 SW, ILIM.....-1V to 40V<sup>1</sup>  
 PGOOD, TON, SS, EN, GL, FB.....-0.3V to 5.5V  
 Switching frequency.....100kHz to 800kHz<sup>3</sup>  
 Junction temperature range.....-40°C to +125°C

Note 1: SW pin's minimum DC range is -1V, transient is -5V for less than 50ns.  
 Note 2: No external voltage applied.  
 Note 3: Recommended

**Electrical Characteristics**

Unless otherwise noted:  $T_J = 25^\circ C$ ,  $V_{IN} = 24V$ ,  $BST = V_{CC}$ ,  $SW = AGND = PGND = 0V$ ,  $CGH = CGL = 3.3nF$ ,  $4.7\mu F$  at  $V_{CC}-AGND$ . Limits applying over the full operating temperature range are denoted by a “•”

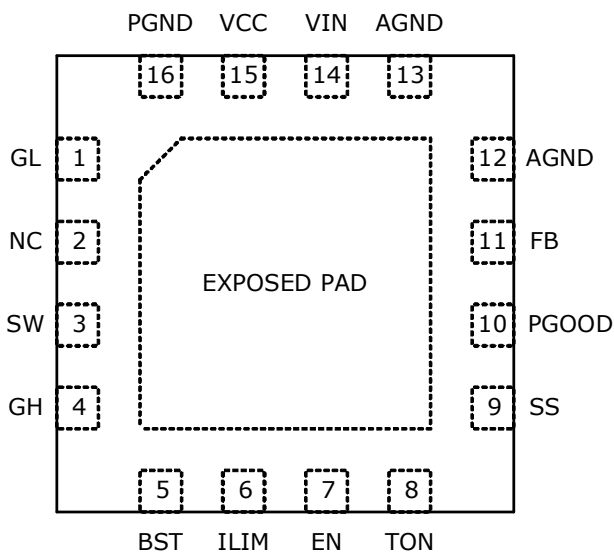
Symbol	Parameter	Conditions		Min	Typ	Max	Units
Power Supply Characteristics							
$V_{IN}$	Input voltage range	$V_{CC}$ regulating	•	5.5		40	V
$I_{VIN}$	VIN input supply current	Not switching, $V_{IN} = 24V$ , $V_{FB} = 0.7V$	•		0.7	2	mA
		$f = 300kHz$ , $R_{ON} = 215k$ , $V_{FB} = 0.58V$			11		mA
$I_{OFF}$	Shutdown current	Enable = 0V, $V_{IN} = 24V$			0.1		$\mu A$
Enable and Under-Voltage Lock-Out UVLO							
$V_{IH\_EN}$	EN pin rising threshold		•	1.8	1.9	2.0	V
$V_{EN\_HYS}$	EN pin hysteresis				50		mV
$V_{IH\_EN}$	EN pin rising threshold for DCM/CCM operation		•	2.9	3.0	3.1	V
$V_{EN\_HYS}$	EN pin hysteresis				100		mV
	$V_{CC}$ UVLO start threshold, rising edge		•	4.00	4.25	4.50	V

Symbol	Parameter	Conditions		Min	Typ	Max	Units
	VCC UVLO hysteresis				200		mV
Reference Voltage							
V <sub>REF</sub>	Reference voltage	V <sub>IN</sub> = 5.5V to 40V		0.597	0.600	0.603	V
			•	0.594	0.600	0.606	V
	DC line regulation	CCM, closed loop, V <sub>IN</sub> = 5.5V-30V, applies to any C <sub>OUT</sub>			±0.3		%
	DC load regulation	CCM, closed loop, I <sub>OUT</sub> = 0A-10A, applies to any C <sub>OUT</sub>			±0.15		%
Programmable Constant On-Time							
	Maximum recommended on-time	R <sub>ON</sub> = 237kΩ, V <sub>IN</sub> = 40V			2.0		μs
	On-time 1	R <sub>ON</sub> = 237kΩ, V <sub>IN</sub> = 40V	•	1.7	2.0	2.3	μs
	f corresponding to on-time 1	V <sub>IN</sub> = 40V, V <sub>OUT</sub> = 24V		261	300	353	kHz
	Minimum programmable on-time	R <sub>ON</sub> = 14kΩ, V <sub>IN</sub> = 40V			120		ns
		R <sub>ON</sub> = 14kΩ, V <sub>IN</sub> = 24V			200	230	ns
	On-time 2	R <sub>ON</sub> = 14kΩ, V <sub>IN</sub> = 24V	•	170	200	230	ns
	f corresponding to on-time 2	V <sub>OUT</sub> = 5V		906	1042	1225	kHz
		V <sub>OUT</sub> = 3.3V		598	688	809	kHz
	On-time 3	R <sub>ON</sub> = 35.7kΩ, V <sub>IN</sub> = 24V	•	430	506	582	ns
	Minimum off-time		•		250	350	ns
Diode Emulation Mode							
	Zero crossing threshold	DC value measured during test		-4	-1	2	mV
Soft-start							
	SS charge current		•	-14	-10	-6	μA
	SS discharge current	Fault present	•	1			mA
VCC Linear Regulator							
	VCC output voltage	V <sub>IN</sub> = 6V to 40V, I <sub>LOAD</sub> = 0 to 30mA	•	4.8	5.0	5.2	V
		V <sub>IN</sub> = 5.5V, I <sub>LOAD</sub> = 0 to 20mA	•	4.8	5.0	5.2	V
Power Good Output							
	Power Good threshold			-10	-7.5	-5	%
	Power Good hysteresis				2	4	%
	Power Good sink current			1			mA
Protection: OCP, OTP, Short-Circuit							
	Hiccup timeout				110		ms
	ILIM pin source current			45	50	55	μA
	ILIM current temperature coefficient				0.4		%/°C

Symbol	Parameter	Conditions		Min	Typ	Max	Units
	OCP comparator offset		•	-8	0	+8	mV
	Current limit blanking	GL rising > 1V			100		ns
	Thermal shutdown threshold <sup>1</sup>	Rising temperature			150		°C
	Thermal hysteresis <sup>1</sup>				15		°C
	VSCTH feedback pin short-circuit threshold	Percent of VREF, short circuit is active after PGOOD is up	•	50	60	70	%
<b>Output Gate Drivers</b>							
	GH pull-down resistance	IGH = 200mA			1.35	2.0	Ω
	GH pull-up resistance	IGH = 200mA			1.8	2.8	Ω
	GL pull-down resistance	IGL = 200mA			1.35	1.9	Ω
	GL pull-up resistance	IGL = 200mA			1.7	2.7	Ω
	GH and GL pull-down resistance				50		kΩ
	GH and GL rise time	10% to 90%			35	50	ns
	GH and GL fall time	90% to 10%			30	40	ns
	GL to GH non-overlap time	Measured GL falling edge = 1V to GH rising edge = 1V, BST = VCC, SW = 0V			30	60	ns
	GH to GL non-overlap time	Measured GH falling edge = 1V to GL rising edge = 1V			20	40	ns

Note 1: Guaranteed by design.

## Pin Configuration

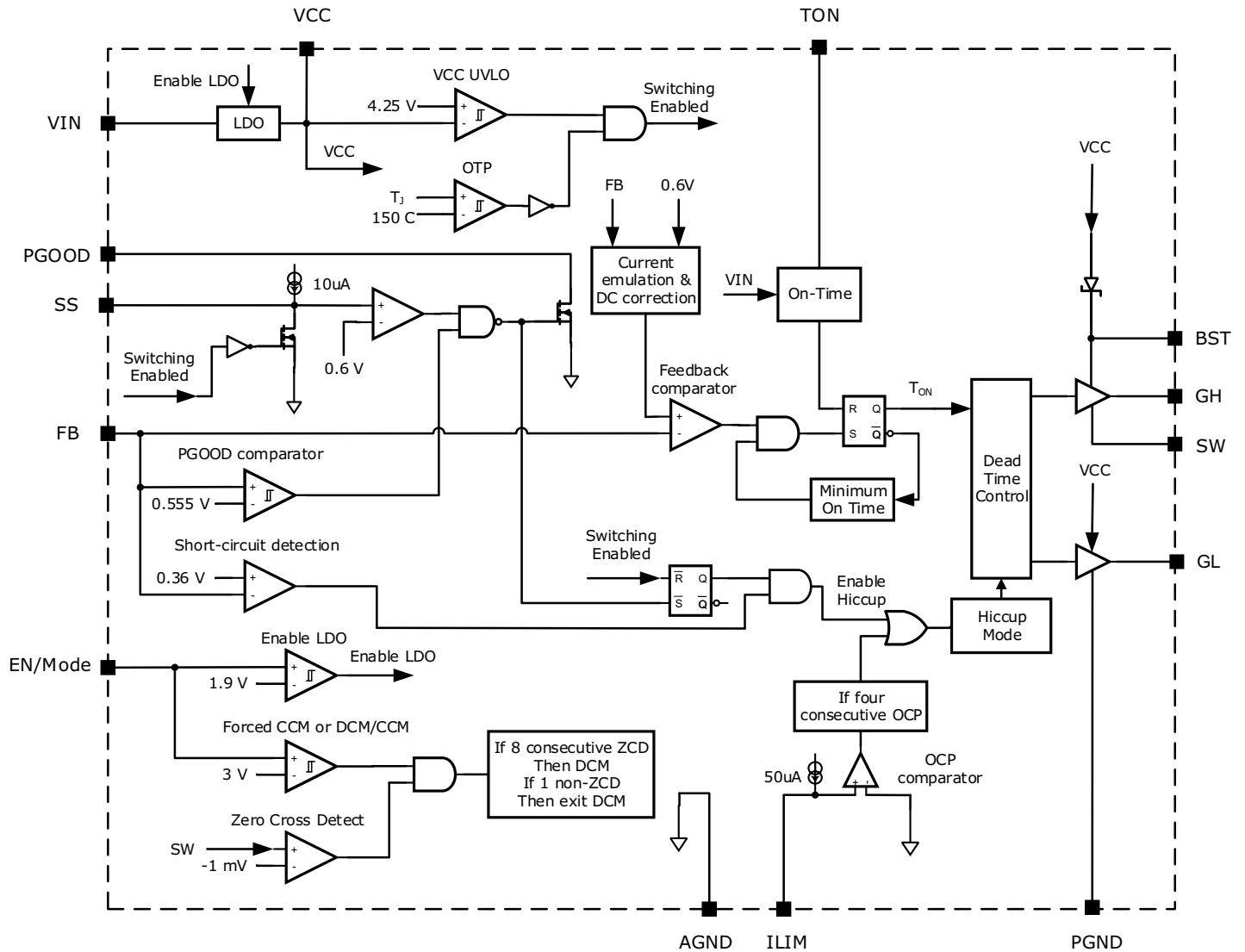


## Pin Assignments

Pin No.	Pin Name	Type	Description
1	GL	O	Driver output for low-side N-channel synchronous MOSFET.
2	NC		Internally not connected. Leave this pin floating.
3	SW	A	Lower supply rail for high-side gate driver GH. Connect this pin to the junction between the two external N-channel MOSFETs.
4	GH	O	Driver output for high-side N-channel switching MOSFET.
5	BST	A	High-side driver supply pin. Connect a 0.1 $\mu$ F bootstrap capacitor between BST and SW.
6	ILIM	A	Over-current protection programming. Connect with a resistor to the drain of the low-side MOSFET.
7	EN/MODE	I	Precision enable pin. Pulling this pin above 1.9V will turn the IC on and it will operate in Forced CCM. If the voltage is raised above 3.0V, then the IC will operate in DCM or CCM depending on load.
8	TON	A	Constant on-time programming pin. Connect with a resistor to AGND.
9	SS	A	Soft-start pin. Connect an external capacitor between SS and AGND to program the soft-start rate based on the 10 $\mu$ A internal source current.
10	PGOOD	OD	Power-good output. This open-drain output is pulled low when VOUT is outside the regulation.
11	FB	A	Feedback input to feedback comparator. Connect with a set of resistors to VOUT and GND in order to program VOUT.
12, 13	AGND	A	Analog ground. Control circuitry of the IC is referenced to this pin.
14	VIN	PWR	IC supply input. Provides power to internal LDO.
15	VCC	PWR	The output of LDO. For operation using a 5V rail, VCC should be shorted to VIN.
16	PGND	PWR	Low side driver ground.
	Exposed Pad	A	Thermal pad for heat dissipation. Connect to AGND with a short trace.

Type: A = Analog, I = Input, O = Output, I/O = Input/Output, PWR = Power, OD = Open-Drain

Functional Block Diagram



### Typical Performance Characteristics

Unless otherwise noted:  $V_{IN} = 24V$ ,  $V_{OUT} = 3.3V$ ,  $I_{OUT} = 10A$ ,  $f = 500kHz$ ,  $T_A = 25^\circ C$ . Schematic from the application information section.

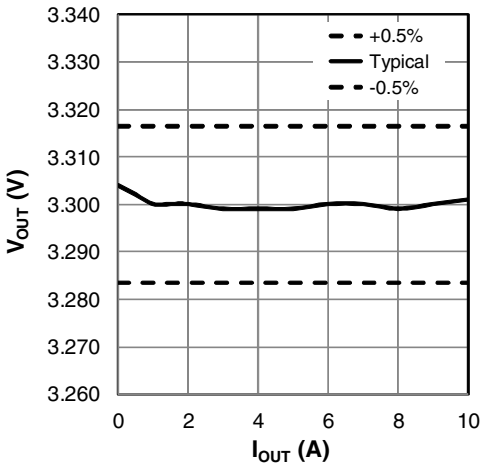


Figure 1: Load Regulation

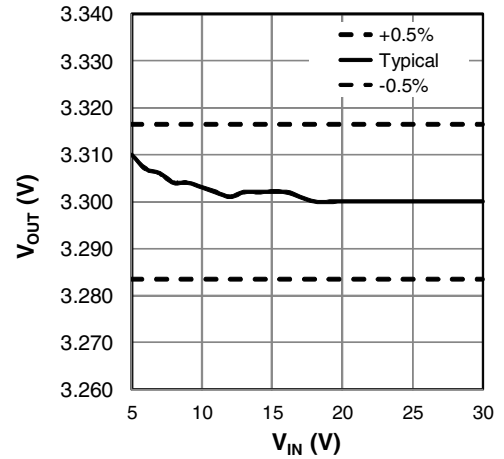


Figure 2: Line Regulation

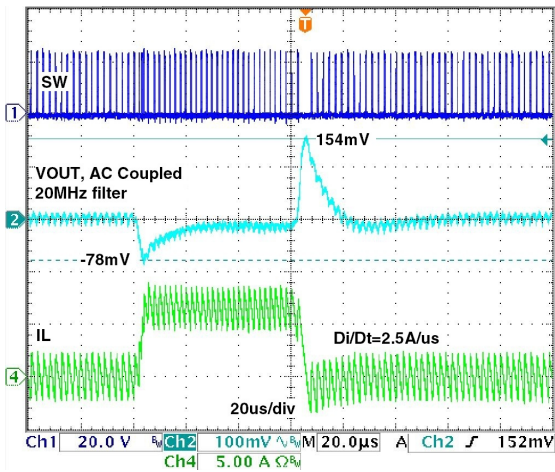


Figure 3: Load Step, Forced CCM, 0A - 6.5A - 0A

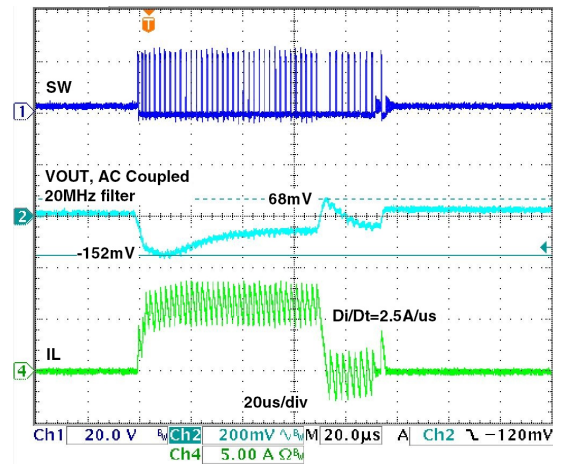


Figure 4: Load Step, DCM / CCM, 0A - 6.5A - 0A

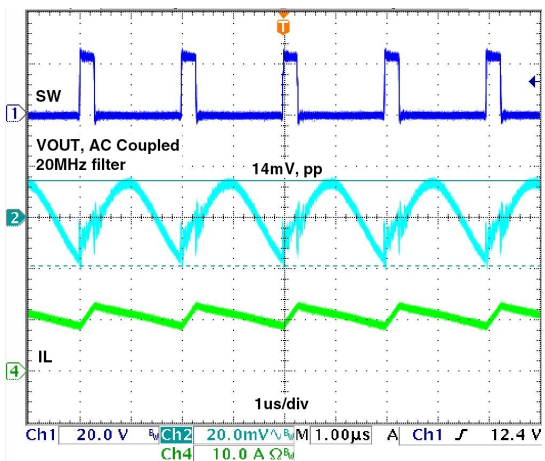


Figure 5: Steady State,  $V_{OUT,ripple} = 14mV$ ,  $I_{OUT} = 10A$

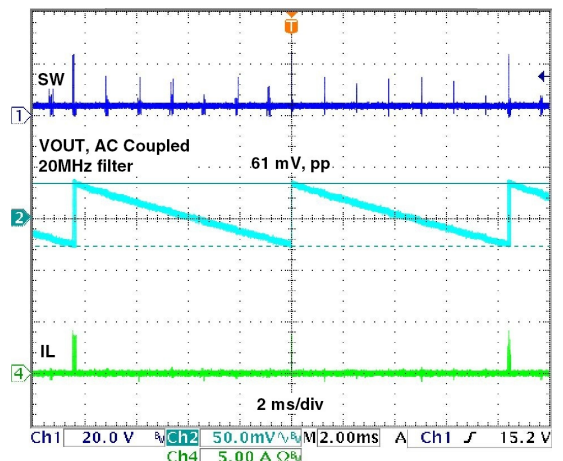


Figure 6: Steady State, DCM,  $V_{OUT,ripple} = 61mV$ ,  $I_{OUT} = 0A$

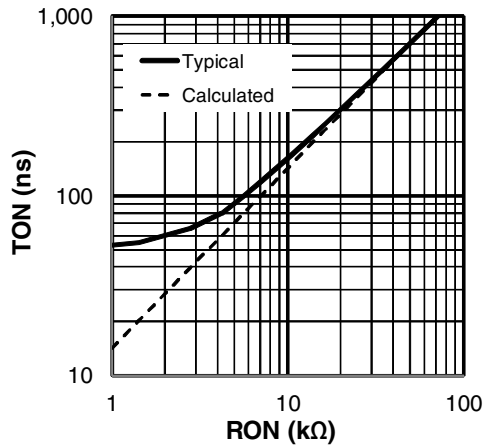


Figure 7: TON versus RON,  $V_{IN} = 24V$

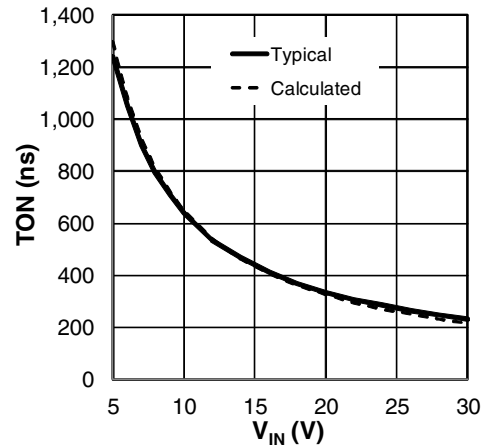


Figure 8: TON versus  $V_{IN}$ ,  $R_{ON} = 19.1k\Omega$

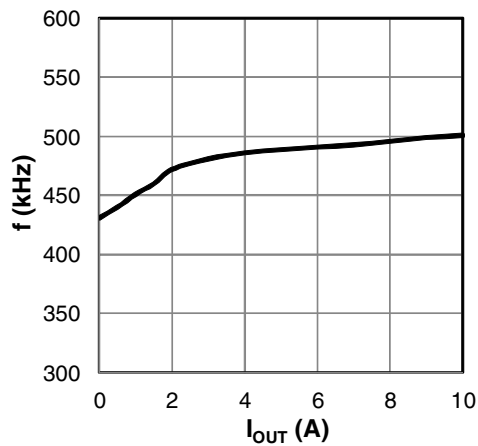


Figure 9: Frequency versus  $I_{OUT}$ ,  $V_{IN} = 24V$

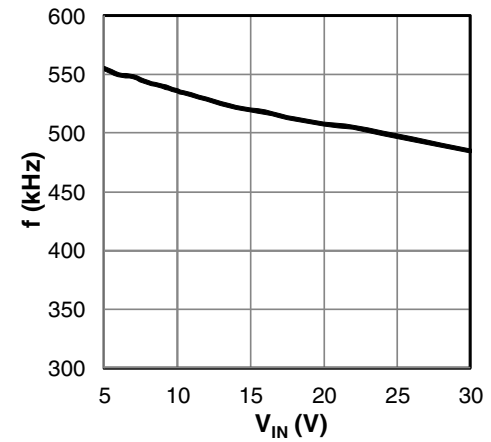


Figure 10: Frequency versus  $V_{IN}$ ,  $I_{OUT} = 10A$

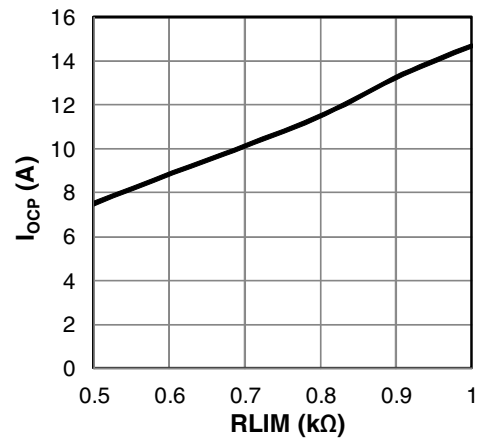


Figure 11:  $I_{ocp}$  versus RLIM

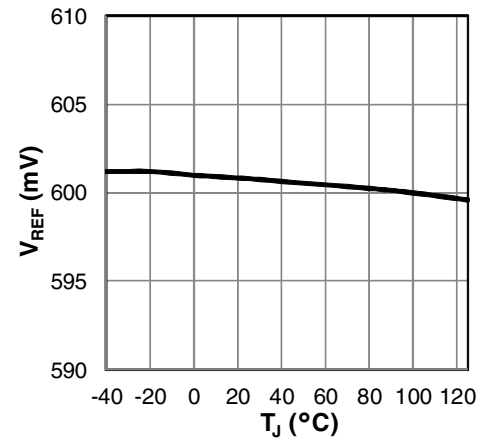


Figure 12:  $V_{REF}$  versus Temperature



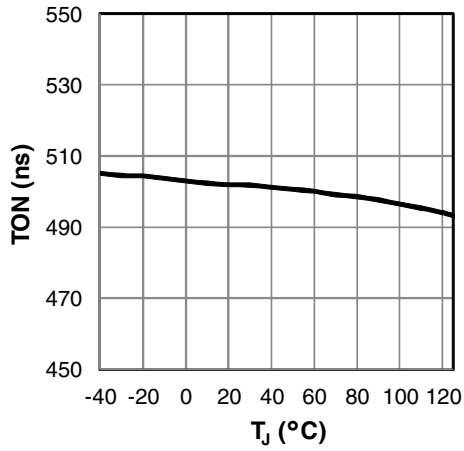


Figure 13: TON versus Temperature

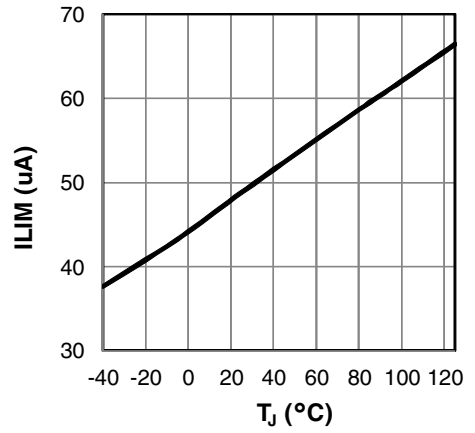


Figure 14: ILIM versus Temperature

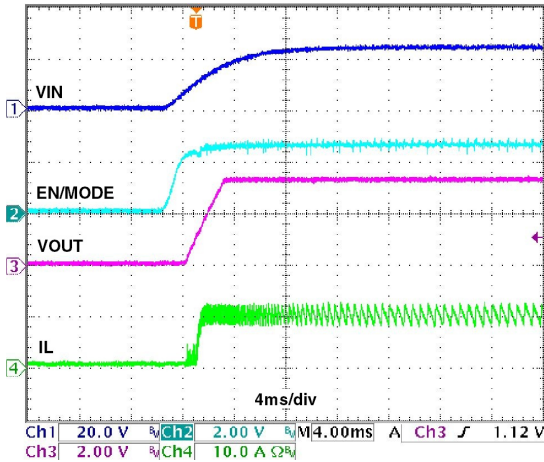


Figure 15: Power-up, Forced CCM

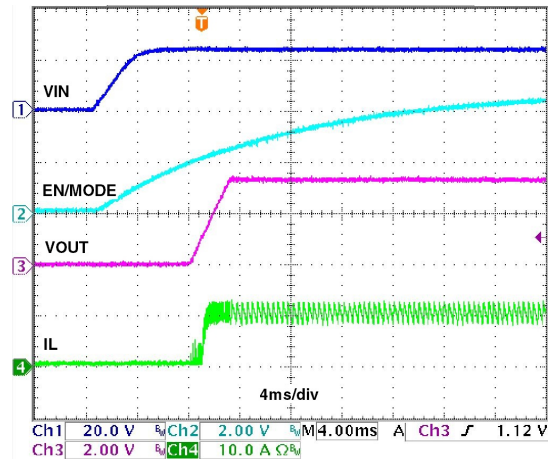


Figure 16: Power-up, DCM / CCM

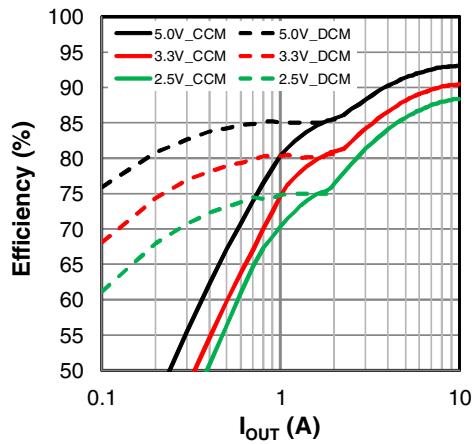


Figure 17: Efficiency, V<sub>IN</sub> = 24V, f = 500kHz

## Functional Description

XR75100 is a synchronous step-down, proprietary emulated current-mode Constant On-Time (COT) controller. The on-time, which is programmed via  $R_{ON}$ , is inversely proportional to  $V_{IN}$  and maintains a nearly constant frequency. The emulated current-mode control is stable with ceramic output capacitors.

Each switching cycle begins with GH signal turning on the high-side (control) FET for a preprogrammed time. At the end of the on-time, the high-side FET is turned off and the low-side (synchronous) FET is turned on for a preset minimum time (250ns nominal). This parameter is termed Minimum Off-Time. After the Minimum Off-Time, the voltage at the feedback pin FB is compared to an internal voltage ramp at the feedback comparator. When  $V_{FB}$  drops below the ramp voltage, the high-side FET is turned on and the cycle repeats. This voltage ramp constitutes an emulated current ramp and makes the use of ceramic capacitors possible, in addition to other capacitor types, for output filtering.

### Enable/Mode Input (EN/MODE)

EN/MODE pin accepts a tri-level signal that is used to control turn on and off. It also selects between two modes of operation: 'Forced CCM' and 'DCM / CCM'. If EN is pulled below 1.8V, the controller shuts down. A voltage between 2.0V and 2.9V selects the Forced CCM mode, which will run the converter in continuous conduction at all times. A voltage higher than 3.1V selects the DCM / CCM mode, which will run the converter in discontinuous conduction at light loads.

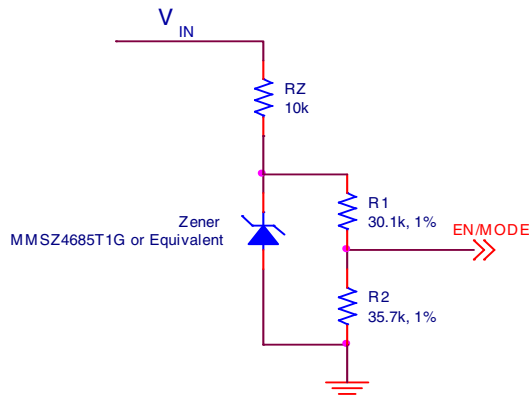
### Selecting the Forced CCM Mode

In order to set the controller to operate in Forced CCM, a voltage between 2.0V and 2.9V must be applied to EN/MODE. This can be achieved with an external control signal that meets the above voltage requirement. Where an external control is not available, the EN/MODE can be derived from  $V_{IN}$ . If  $V_{IN}$  is well regulated, use a resistor divider and set the voltage to 2.5V. If  $V_{IN}$  varies over a wide range, the circuit shown in Figure 18 can be used to generate the required voltage. Note that at  $V_{IN}$  of 5.5V and 40V, the nominal Zener voltage is 4.0V and 5.0V respectively. Therefore for  $V_{IN}$  in the range of 5.5V to 40V, the circuit shown in Figure 18 will generate  $V_{EN}$  required for Forced CCM.

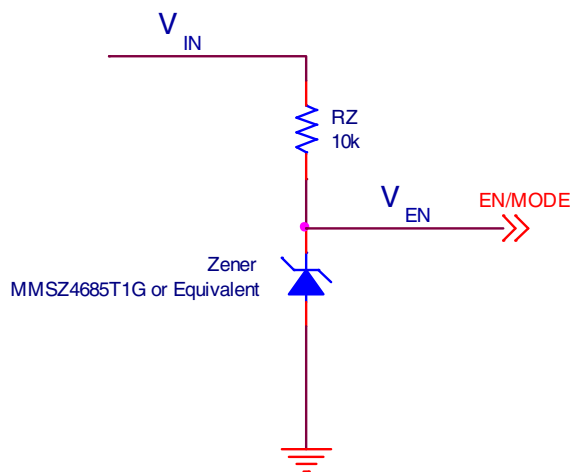
### Selecting the DCM/CCM Mode

In order to set the controller operation to DCM / CCM, a voltage between 3.1V and 5.5V must be applied to EN/MODE. If an external control signal is available, it can be directly connected to EN/MODE. In applications where

an external control is not available, the EN/MODE input can be derived from  $V_{IN}$ . If  $V_{IN}$  is well regulated, use a resistor divider and set the voltage to 4V. If  $V_{IN}$  varies over a wide range, the circuit shown in Figure 19 can be used to generate the required voltage.



**Figure 18: Selecting Forced CCM by Deriving EN/MODE from VIN**



**Figure 19: Selecting DCM / CCM by Deriving EN/MODE from VIN**

### DCM Operation

When DCM operation is enabled, the Zero Cross Detect comparator in the XR75100 senses when the current in the inductor reaches 0Amps and turns off the low side MOSFET. The low side MOSFET is operated to emulate the operation of a diode preventing the inductor current from flowing in the negative direction. In this mode, the device is now operating in Pulse Frequency Modulation (PFM) control. As the load reduces, the frequency reduces and thus the switching losses are reduced, resulting in

much better efficiency at light load. The Zero Cross comparator monitors the voltage across the low side MOSFET to determine the correct time to turn it off. Ideally, this threshold is -1mV, meaning there is still positive current in the inductor (positive inductor current refers to current from SW to VOUT). However, there is a range to the sensed voltage from -4mV to +2mV. In the case where a very low RDSON low side MOSFET is used, a higher negative inductor current is required to reach the +2mV. For instance, a 2mΩ MOSFET would require a negative 1A inductor valley current before the XR75100 recognizes the signal to turn off the low side MOSFET. As a result, the XR75100 will not enter PFM until the load reduces further. It should be noted that the net power saving between ideal zero cross detection and the -4mV to +2mV range of the XR75100 is minor. The operating frequency will have changed little from what one would have in the ideal case.

One important feature added to the DCM detection is a counter which allows 8 switching cycles to trigger in the zero cross comparator before enabling DCM operation. This ensures that during large unloading events, the XR75100 will respond quickly. This operation can be seen during the unloading event in Figure 4 in the Typical Performance Characteristics section above.

### Programming the On-Time

The On-Time  $T_{ON}$  is programmed via resistor  $R_{ON}$  according to following equation:

$$R_{ON} = \frac{V_{IN} \times T_{ON}}{3.4 \times 10^{-10}}$$

where  $T_{ON}$  is calculated from:

$$T_{ON} = \frac{V_{OUT}}{V_{IN} \times f}$$

As an example, the calculated  $T_{ON}$  for the application circuit is 275ns. An  $R_{ON}$  of 19.4kΩ is required in order to set  $T_{ON}$  to 275ns. A graph of typical  $T_{ON}$  versus  $R_{ON}$  is shown in Figure 7.

### Over-Current Protection (OCP)

If load current exceeds the programmed over-current  $I_{OCP}$  for four consecutive switching cycles, then the IC enters hiccup mode of operation. In hiccup mode, the MOSFET gates are turned off for 110ms (hiccup timeout). Following the hiccup timeout, a soft-start is attempted. If OCP persists,

hiccup timeout will repeat. The IC will remain in hiccup mode until load current is reduced below the programmed  $I_{OCP}$ . In order to program over-current protection, use the following equation:

$$R_{LIM} = \frac{(I_{OCP} \times R_{DS}) + 8mV}{I_{LIM}}$$

Where:

$R_{LIM}$  is resistor value for programming  $I_{OCP}$

$I_{OCP}$  is the over-current threshold to be programmed

$R_{DS}$  is the MOSFET rated on resistance

8mV is the OCP comparator offset

$I_{LIM}$  is the internal current that generates the necessary OCP comparator threshold (use 45μA).

Note that  $I_{LIM}$  has a positive temperature coefficient of 0.4%/°C. This is meant to roughly match and compensate for the positive temperature coefficient of the synchronous FET  $R_{DS}$ . In order for this feature to be effective, the temperature rise of the IC should approximately match the temperature rise of the FET. A graph of typical  $I_{OCP}$  versus  $R_{LIM}$  is shown in Figure 11.

### Short-Circuit Protection (SCP)

If the output voltage drops below 60% of its programmed value, the IC will enter hiccup mode. Hiccup will persist until the short-circuit is removed. The SCP circuit becomes active after PGOOD asserts high.

### Over-Temperature (OTP)

OTP triggers at a nominal die temperature of 150°C. The gate of the switching FET and synchronous FET are turned off. When die temperature cools down to 135°C, soft-start is initiated and operation resumes.

### Programming the Output Voltage

Use an external voltage divider as shown in the application circuit to program the output voltage  $V_{OUT}$ .

$$R1 = R2 \times \left( \frac{V_{OUT}}{0.6} - 1 \right)$$

where  $R2$  has a nominal value of 2kΩ.

### Programming the Soft-start

Place a capacitor CSS between the SS and GND pins to program the soft-start. In order to program a soft-start time of TSS, calculate the required capacitance CSS from the following equation:

$$C_{SS} = T_{SS} \times \left( \frac{10\mu A}{0.6V} \right)$$

### Feed-Forward Capacitor (C<sub>FF</sub>)

A feed - forward capacitor (C<sub>FF</sub>) may be necessary, depending on the Equivalent Series Resistance (ESR) of C<sub>OUT</sub>. If only ceramic output capacitors are used for C<sub>OUT</sub>, then a C<sub>FF</sub> is necessary. Calculate C<sub>FF</sub> from:

$$C_{FF} = \frac{1}{2 \times \pi \times R1 \times 7 \times f_{LC}}$$

where:

R1 is the resistor that C<sub>FF</sub> is placed in parallel with

f<sub>LC</sub> is the frequency of output filter double-pole

f<sub>LC</sub> must be less than 11kHz when using a ceramic C<sub>OUT</sub>. If necessary, increase C<sub>OUT</sub> and / or L in order to meet this constraint.

When using capacitors with higher ESR, such as PANASONIC TPE series, a C<sub>FF</sub> is not required provided following conditions are met:

1. The frequency of output filter LC double-pole f<sub>LC</sub> should be less than 10kHz.
2. The frequency of ESR Zero f<sub>Zero,ESR</sub> should be at least five times larger than f<sub>LC</sub>.

Note that if f<sub>Zero,ESR</sub> is less than 5xf<sub>LC</sub>, then it is recommended to set the f<sub>LC</sub> at less than 2kHz. C<sub>FF</sub> is still not required.

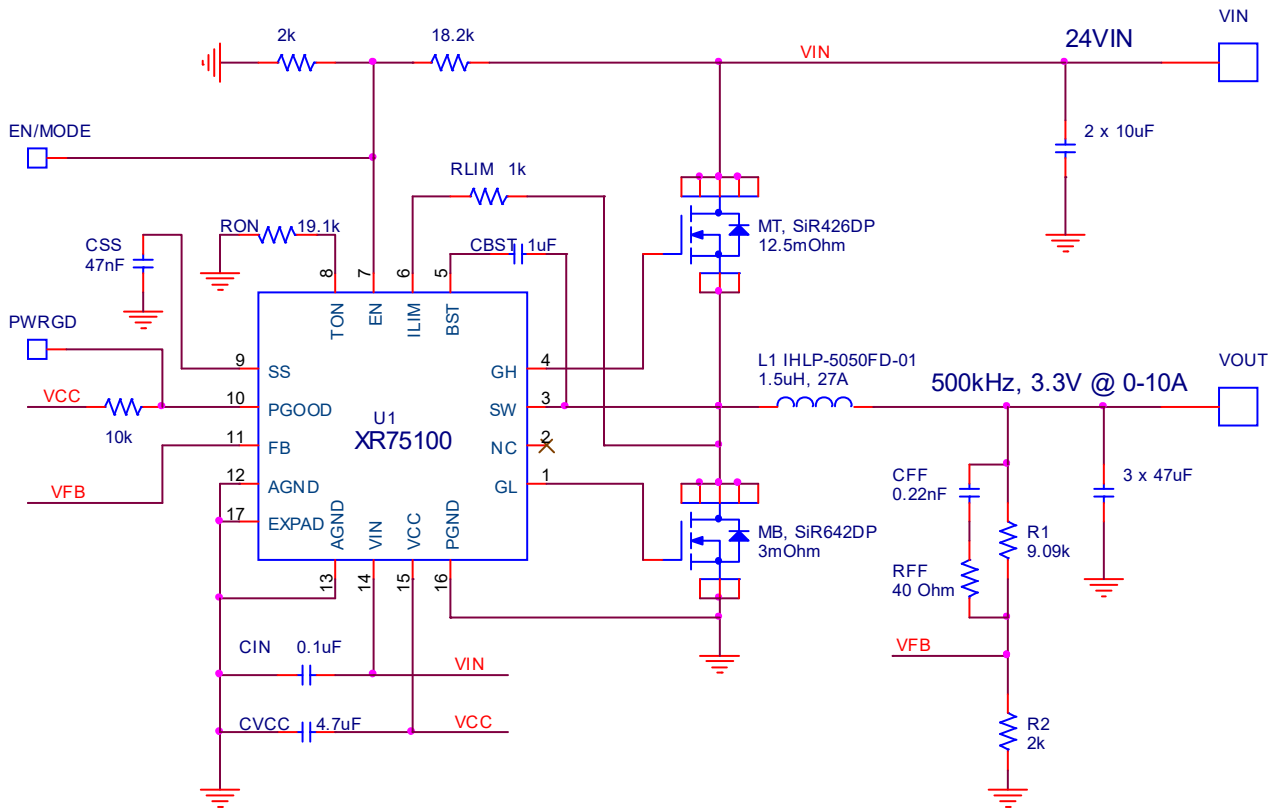
### Feed-Forward Resistor (R<sub>FF</sub>)

Poor PCB layout and / or extremely fast switching FETs can cause switching noise at the output and may couple to the FB pin via C<sub>FF</sub>. Excessive noise at FB will cause poor load regulation. To solve this problem, place a resistor R<sub>FF</sub> in series with C<sub>FF</sub>. An R<sub>FF</sub> value up to 2% of R1 is acceptable.

### Maximum Allowable Voltage Ripple at FB pin

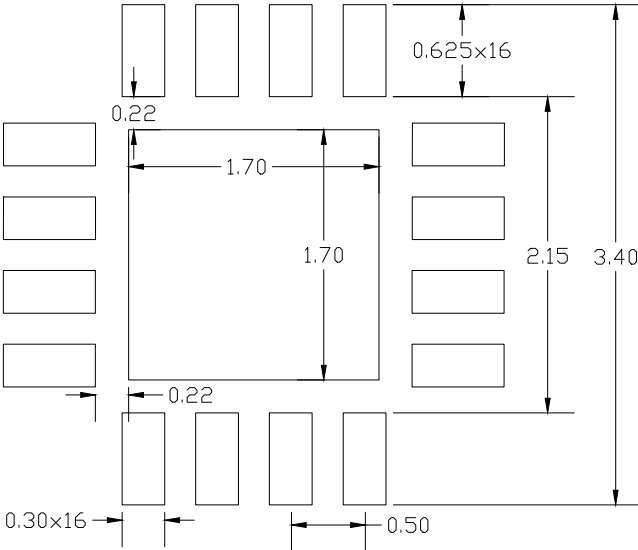
Note that the steady-state voltage ripple at feedback pin FB (V<sub>FB,RIPPLE</sub>) must not exceed 50mV in order for the Module to function correctly. If V<sub>FB,RIPPLE</sub> is larger than 50mV, then C<sub>OUT</sub> should be increased as necessary in order to keep the V<sub>FB,RIPPLE</sub> below 50mV.

Application Circuit

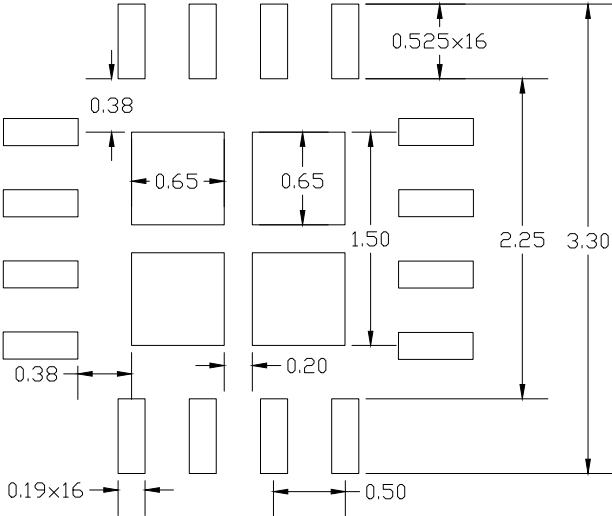




Recommended Land Pattern and Stencil



TYPICAL RECOMMENDED LAND PATTERN



TYPICAL RECOMMENDED STENCIL

Drawing No.: POD- 00000138

Revision: A

Ordering Information<sup>(1)</sup>

Part Number	Operating Temperature Range	Package	Packaging Method	Lead-Free <sup>(2)</sup>
XR75100EL-F	$-40^{\circ}\text{C} \leq T_J \leq +125^{\circ}\text{C}$	16-pin QFN 3 x 3	Bulk	Yes
XR75100ELTR-F	$-40^{\circ}\text{C} \leq T_J \leq +125^{\circ}\text{C}$	16-pin QFN 3 x 3	Reel	Yes
XR75100EVB	Evaluation Board			

## NOTES:

1. Refer to [www.maxlinear.com/XR75100](http://www.maxlinear.com/XR75100) for most up-to-date Ordering Information
2. Visit [www.maxlinear.com](http://www.maxlinear.com) for additional information on Environmental Rating.

## Revision History

Revision	Date	Description
1A	June 2014	Initial release
1B	March 2015	Modified Functional Block Diagram, Application Circuit, figure 18 and 19. Changed the description of "Selecting the Forced CCM Mode," "Selecting the DCM/CCM Mode," "Feed-Forward Capacitor," "Feed-Forward Resistor," Added "Maximum Allowable Voltage Ripple at FB PIN"
1C	May 2016	Add limits to zero cross and clarify operating temperature range.
1D	May 2018	Update to MaxLinear logo. Update format and Ordering Information. Added Revision History.
1E	October 2019	Correct block diagram by changing the input gate into the Hiccup Mode from an AND gate to an OR gate. Update ordering information.

**Corporate Headquarters:**

5966 La Place Court  
Suite 100  
Carlsbad, CA 92008  
Tel.: +1 (760) 692-0711  
Fax: +1 (760) 444-8598  
[www.maxlinear.com](http://www.maxlinear.com)

The content of this document is furnished for informational use only, is subject to change without notice, and should not be construed as a commitment by MaxLinear, Inc. MaxLinear, Inc. assumes no responsibility or liability for any errors or inaccuracies that may appear in the informational content contained in this guide. Complying with all applicable copyright laws is the responsibility of the user. Without limiting the rights under copyright, no part of this document may be reproduced into, stored in, or introduced into a retrieval system, or transmitted in any form or by any means (electronic, mechanical, photocopying, recording, or otherwise), or for any purpose, without the express written permission of MaxLinear, Inc.

MaxLinear, Inc. does not recommend the use of any of its products in life support applications where the failure or malfunction of the product can reasonably be expected to cause failure of the life support system or to significantly affect its safety or effectiveness. Products are not authorized for use in such applications unless MaxLinear, Inc. receives, in writing, assurances to its satisfaction that: (a) the risk of injury or damage has been minimized; (b) the user assumes all such risks; (c) potential liability of MaxLinear, Inc. is adequately protected under the circumstances.

MaxLinear, Inc. may have patents, patent applications, trademarks, copyrights, or other intellectual property rights covering subject matter in this document. Except as expressly provided in any written license agreement from MaxLinear, Inc., the furnishing of this document does not give you any license to these patents, trademarks, copyrights, or other intellectual property.

MaxLinear, the MaxLinear logo, and any MaxLinear trademarks, MxL, Full-Spectrum Capture, FSC, G.now, AirPHY and the MaxLinear logo are all on the products sold, are all trademarks of MaxLinear, Inc. or one of MaxLinear's subsidiaries in the U.S.A. and other countries. All rights reserved. Other company trademarks and product names appearing herein are the property of their respective owners.

© 2016 - 2019 MaxLinear, Inc. All rights reserved