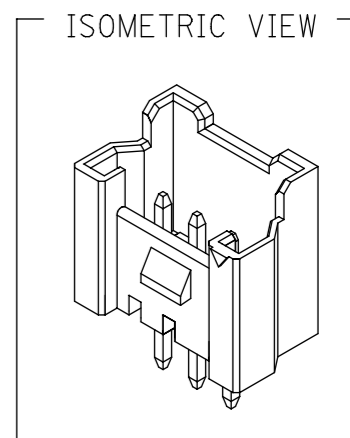
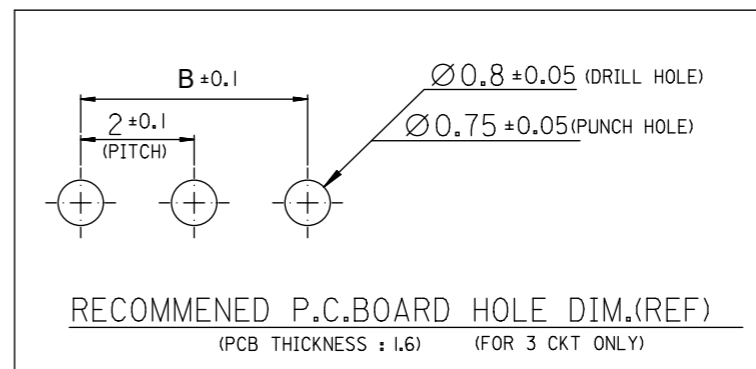
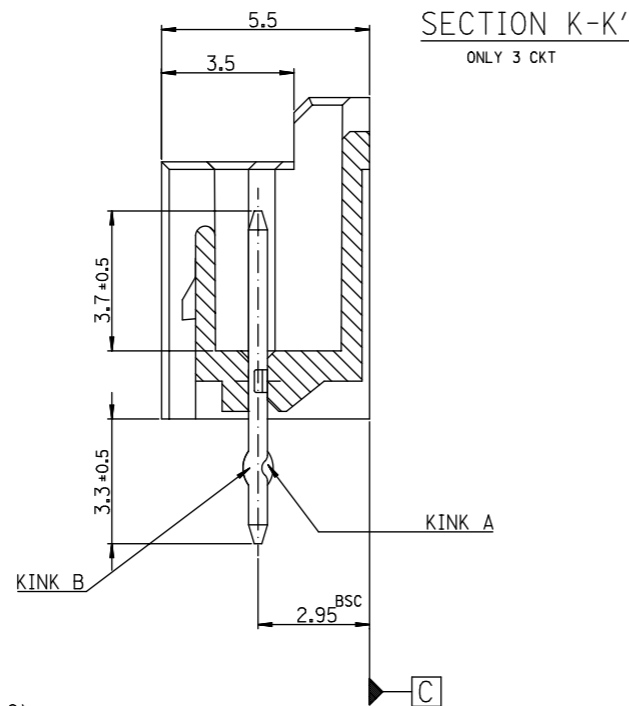
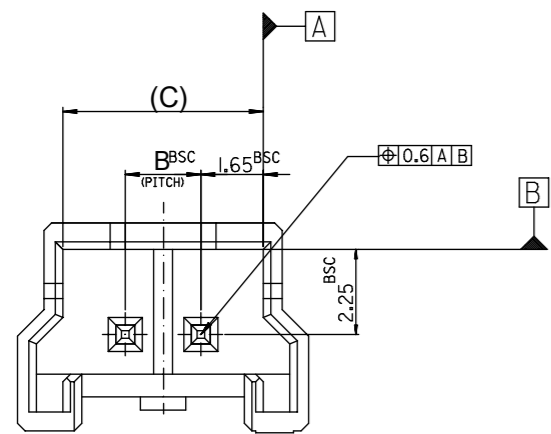


FOR 2 & 3 CKTS.



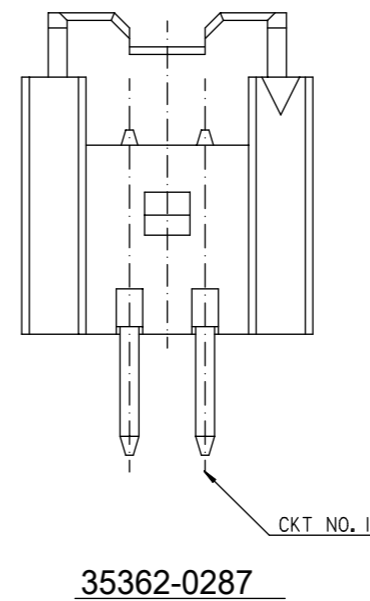
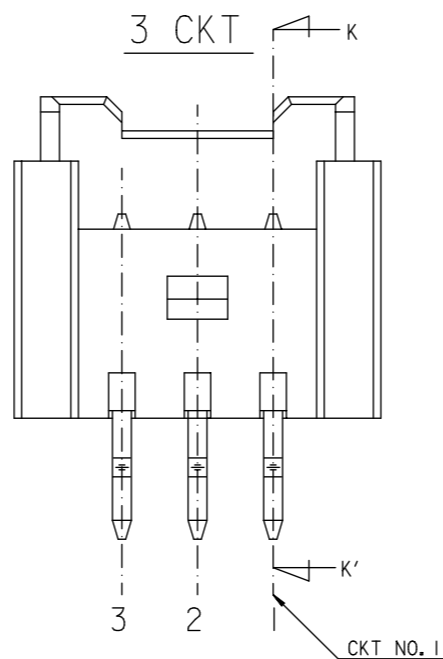
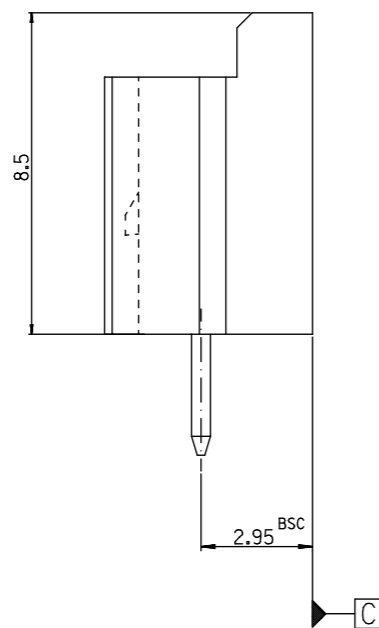
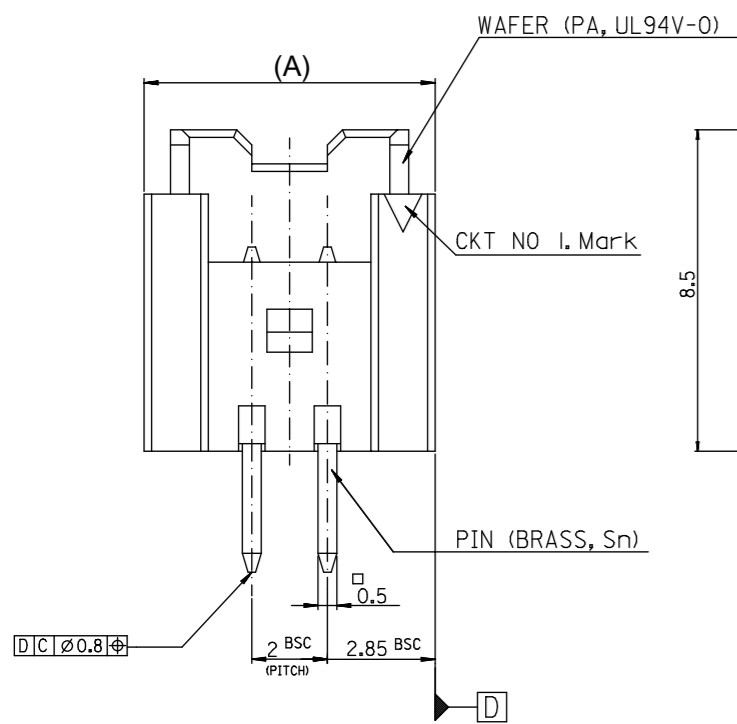
**LEGEND**

SD-35362-\*\*\*\*  
CKT NO. \_\_\_\_\_ COLOR \_\_\_\_\_

FINAL GOOD (BULK)  
SUB ASSY (TUBE)

- 5 : SELECTIVE KINK (LEAD FREE)
- 6 : NONE KINK (LEAD FREE)
- 7 : SELECTIVE KINK (LEAD FREE)
- 8 : NONE KINK (LEAD FREE)

- 0 : NATURAL
- 1 : BLACK
- 2 : RED
- 3 : YELLOW
- 4 : BLUE
- 5 : GREEN
- 6 : TUBE PACKING (Natural Color)
- 7 : TUBE PACKING (Red Color)
- 8 : TUBE PACKING (Blue Color)



**NOTES**

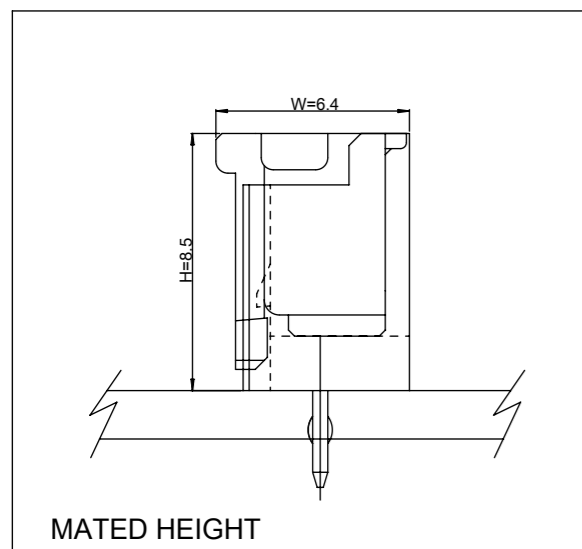
1. MATERIAL : UNFILLED POLYAMIDE, UL94V-0  
PIN : BRASS
2. FINISHES : PIN - Tin(Sn) 1.0~3.0m OVERALL  
Cu 1.5~3.75m OVERALL
3. PRODUCT SPECIFICATION : PS-35507-003
4. MATING HOUSING : 35507-\*\*0\*  
MATING TERMINAL : 50212-8000
5. KINK

	CKT NO	1	2	3
CKT				
2 CKT				
3 CKT	A	B	A	

6. 35362-0287 IS ONLY KINKED 2P

	CKT NO	1	2
PRODUCT NO.			
35362-0287	A	B	

7.3	4	9.7	3536203**	35362-03**	3
5.3	2	7.7	3536202**	35362-02**	2
(C)	B	(A)	MATERIAL NO.	ENG. NO.	CKT



<b>LEAD FREE</b>		SYMBOLS ▽ = 0 ▽ = 0 ▽ = 0 ▽ = 0 ▽ = 0 ▽ = 0 ▽ = 0 ▽ = 0 ▽ = 0	THIS DRAWING CONTAINS INFORMATION THAT IS PROPRIETARY TO MOLEX ELECTRONIC TECHNOLOGIES, LLC AND SHOULD NOT BE USED WITHOUT WRITTEN PERMISSION	
30 over ±0.3			DIMENSION UNITS <b>mm</b>	SCALE <b>5:1</b>
10 over 30 under ±0.25		GENERAL TOLERANCES (UNLESS SPECIFIED)		
10 under ±0.2		ANGULAR TOL ± °		
ANGLE ±3°		4 PLACES ±		
GENERAL TOLERANCE		3 PLACES ±		
		2 PLACES ±		
		1 PLACE ±		
		0 PLACES ±		
		DRAFT WHERE APPLICABLE MUST REMAIN WITHIN DIMENSIONS		
		THIRD ANGLE PROJECTION		
		DRAWING		
		SERIES		
		MATERIAL NUMBER		
		CUSTOMER		
		SHEET NUMBER		

**molex**

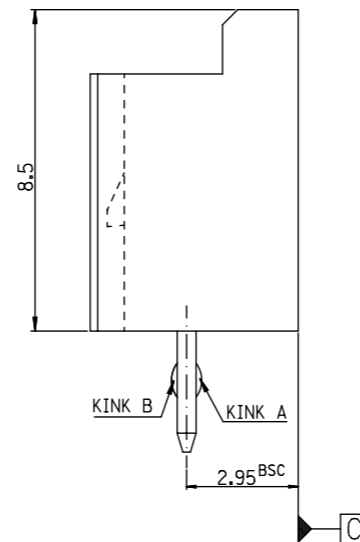
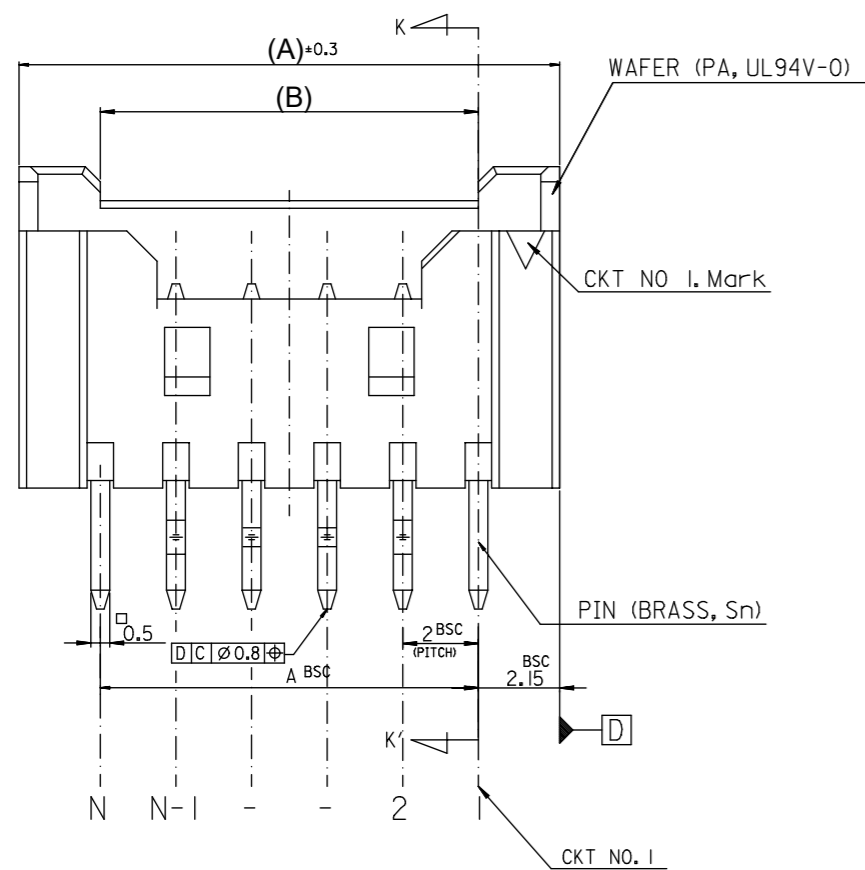
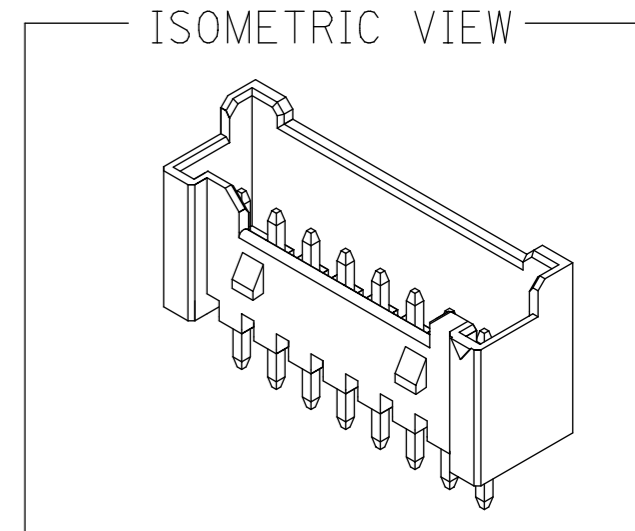
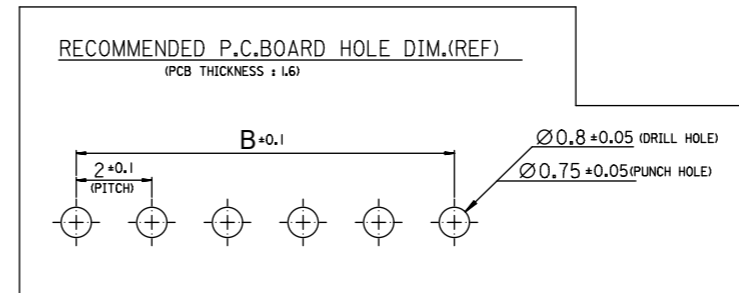
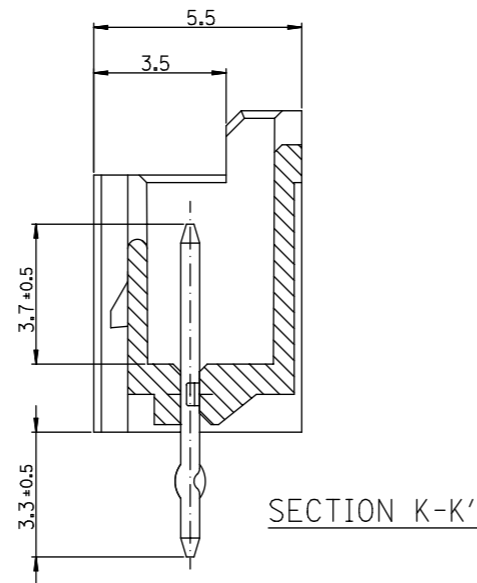
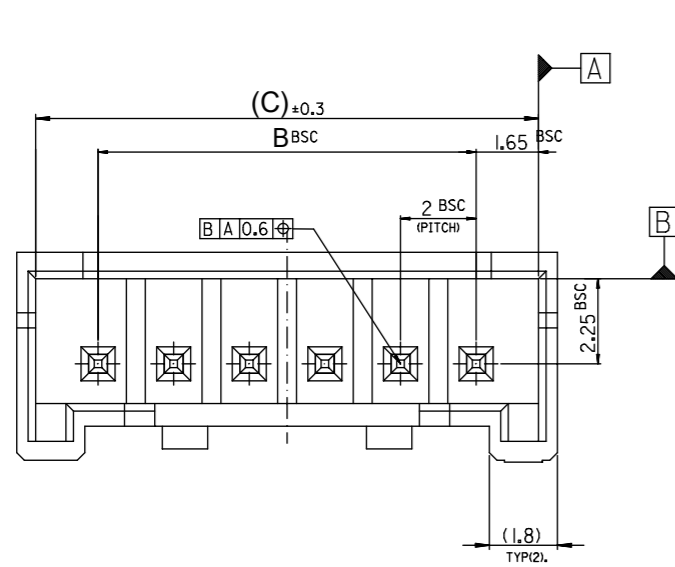
2.0 WB WAFER ASS'Y  
-LEAD FREE-

PRODUCT CUSTOMER DRAWING

DOCUMENT NUMBER	DOC TYPE	DOC PART	REVISION
SD-35362-002	PSD	002	F2

SEE TABLE	GENERAL MARKET	1 OF 1
-----------	----------------	--------

DOCUMENT STATUS	RELEASE DATE
-----------------	--------------



**LEGEND**

SD-35362-\*\*\*\*  
 CKT NO. \_\_\_\_\_ COLOR \_\_\_\_\_

- 0 : NATURAL
- 1 : BLACK
- 2 : RED
- 3 : YELLOW
- 4 : BLUE
- 5 : GREEN
- 6 : TUBE PACKING (Natural Color)
- 7 : TUBE PACKING (Red Color)
- 8 : TUBE PACKING (Blue Color)

FINAL GOOD (BULK) — 5 : SELECTIVE KINK (LEAD FREE)  
 — 6 : NONE KINK (LEAD FREE)

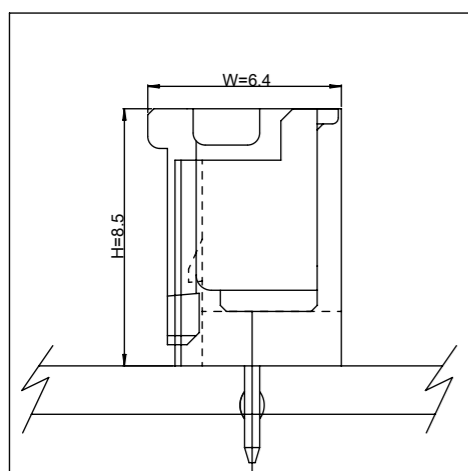
SUB ASSY (TUBE) — 7 : SELECTIVE KINK (LEAD FREE)  
 — 8 : NONE KINK (LEAD FREE)

**NOTES**

- MATERIAL : WAFER : UNFILLED POLYAMIDE, UL94V-0  
PIN : BRASS
- FINISHES : PIN - Tin(Sn) 1.0~3.0m OVERALL  
Cu 1.5~3.75m OVERAL
- PRODUCT SPECIFICATION : PS-35507-003
- MATING HOUSING : 35507-\*\*0\*  
MATING TERMINAL : 50212-8000
- KINK

	CKT NO	1	2	3	-	-	N-2	N-1	N
CKT		-	A	B	-	-	B	A	-
16±20 CKT		-	A	B	-	-	B	A	-

**MATED HEIGHT**



41.3	38	42.3	3536220**	35362-20**	20
39.3	36	40.3	3536219**	35362-19**	19
37.3	34	38.3	3536218**	35362-18**	18
35.3	32	36.3	3536217**	35362-17**	17
33.3	30	34.3	3536216**	35362-16**	16
(C)	B	(A)	MATERIAL NO.	ENG. NO.	CKT

<b>LEAD FREE</b>	SYMBOLS	THIS DRAWING CONTAINS INFORMATION THAT IS PROPRIETARY TO MOLEX ELECTRONIC TECHNOLOGIES, LLC AND SHOULD NOT BE USED WITHOUT WRITTEN PERMISSION	
	▽ = 0	DIMENSION UNITS	SCALE
30 over	±0.3	mm	5:1
10 over 30 under	±0.25	GENERAL TOLERANCES (UNLESS SPECIFIED)	
10 under	±0.2	ANGULAR TOL	± °
ANGLE	±3°	4 PLACES	±
GENERAL TOLERANCE	▽ = 0	3 PLACES	±
	▽ = 0	2 PLACES	±
	▽ = 0	1 PLACE	±
	▽ = 0	0 PLACES	±
	▽ = 0	DRAFT WHERE APPLICABLE MUST REMAIN WITHIN DIMENSIONS	
	▽ = 0	THIRD ANGLE PROJECTION	DRAWING
	▽ = 0	A3-SIZE	SERIES
	▽ = 0	35362	MATERIAL NUMBER
	▽ = 0	SEE TABLE	CUSTOMER
	▽ = 0	GENERAL MARKET	SHEET NUMBER
	▽ = 0	1 OF 1	

CURRENT REV DESC:

EC NO: 605910  
 DRWN: JSSHIN 2018/10/11  
 CHK'D: SHCHU 2018/10/15  
 APPR: YSKIM02 2018/10/16

INITIAL REVISION:  
 DRWN: DYJANG 2004/09/01  
 APPR: CHANGWOOLEE 2004/09/02

**molex**

2.0 WB WAFER ASSY  
 -LEAD FREE-

PRODUCT CUSTOMER DRAWING

DOCUMENT NUMBER: SD-35362-002  
 DOC TYPE: PSD  
 DOC PART: 003  
 REVISION: F2

DOCUMENT STATUS	RELEASE DATE
-----------------	--------------